



US008294014B2

(12) **United States Patent**
Voorhees

(10) **Patent No.:** **US 8,294,014 B2**
(45) **Date of Patent:** **Oct. 23, 2012**

(54) **PORTABLE STAND AND MOUNT FOR
SECURING A PORTABLE MEDIA OR AUDIO
PLAYER TO A SUPPORT**

(76) Inventor: **Jeffrey Voorhees**, Burbank, CA (US)

(*) Notice: Subject to any disclaimer, the term of this patent is extended or adjusted under 35 U.S.C. 154(b) by 39 days.

(21) Appl. No.: **12/855,665**

(22) Filed: **Aug. 12, 2010**

(65) **Prior Publication Data**

US 2011/0192269 A1 Aug. 11, 2011

Related U.S. Application Data

(60) Provisional application No. 61/233,814, filed on Aug. 13, 2009.

(51) **Int. Cl.**
G10D 3/00 (2006.01)

(52) **U.S. Cl.** **84/453**; 84/327; 84/329; 84/421

(58) **Field of Classification Search** 84/453,
84/327, 329, 421

See application file for complete search history.

(56) **References Cited**

U.S. PATENT DOCUMENTS

432,305	A *	7/1890	Foley	248/229.26
1,320,439	A *	11/1919	Tavi	248/447.2
1,907,238	A *	5/1933	Blondin	84/327
3,550,495	A *	12/1970	Shotmeyer	84/267
D261,703	S *	11/1981	Plummer	D6/449
D276,779	S *	12/1984	Gomez	D6/418
4,531,443	A *	7/1985	Gillis, Jr.	84/329
4,606,525	A *	8/1986	Lombardi	248/460

D286,478	S *	11/1986	Oakes, Jr.	D6/419
4,984,760	A *	1/1991	Cohn et al.	248/126
5,154,380	A *	10/1992	Risca	248/154
5,187,744	A *	2/1993	Richter	379/449
5,522,300	A *	6/1996	Cheatwood	84/453
5,839,919	A *	11/1998	Chen	439/529
5,845,885	A *	12/1998	Carnevali	248/181.1
5,853,158	A *	12/1998	Riggle	248/311.2
6,158,793	A *	12/2000	Castro	296/1.07
6,255,569	B1 *	7/2001	Ward	84/329
6,797,872	B1 *	9/2004	Catalano et al.	84/454
6,802,484	B1 *	10/2004	Kiley et al.	248/311.2
6,892,994	B1 *	5/2005	Renshaw	248/346.04
D510,205	S *	10/2005	Nickel	D6/418
7,040,590	B2 *	5/2006	Carnevali	248/311.2
7,265,282	B2 *	9/2007	Membreno et al.	84/453
7,320,450	B2 *	1/2008	Carnevali	248/160
7,403,613	B2 *	7/2008	Liou	379/455
7,458,555	B2 *	12/2008	Mastropaolo et al.	248/447.2
7,515,709	B2 *	4/2009	Richter	379/446
7,551,458	B2 *	6/2009	Carnevali	361/807
7,732,692	B2 *	6/2010	Mori et al.	84/421
D619,559	S *	7/2010	Voorhees	D14/203.6
D625,715	S *	10/2010	Adams, II	D14/253
7,925,320	B2 *	4/2011	Pemble et al.	455/575.9
8,007,188	B2 *	8/2011	Orf	396/419
8,020,829	B1 *	9/2011	Tamayori	248/447.2
D646,315	S *	10/2011	Orf	D16/242
D647,917	S *	11/2011	Voorhees	D14/496
D652,045	S *	1/2012	Hong	D14/447
D652,836	S *	1/2012	Voorhees	D14/447
D660,306	S *	5/2012	Voorhees	D14/447

(Continued)

Primary Examiner — David Warren

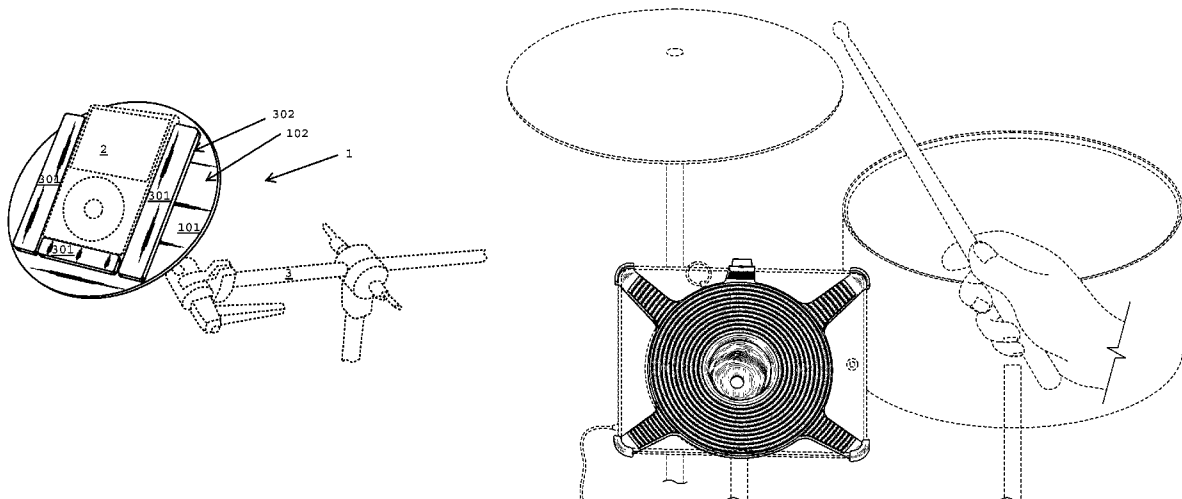
Assistant Examiner — Robert W Horn

(74) *Attorney, Agent, or Firm* — Buche & Associates, P.C.;
John K Buche

(57) **ABSTRACT**

Disclosed is an apparatus for securing a media or audio player to a support and the related methods of use.

17 Claims, 14 Drawing Sheets



US 8,294,014 B2

Page 2

U.S. PATENT DOCUMENTS

2005/0098692	A1*	5/2005	Yang	248/163.1	2009/0000457	A1*	1/2009	Dunlop	84/329
2007/0221694	A1*	9/2007	Aguiliar et al.	224/420	2009/0060473	A1*	3/2009	Kohte et al.	386/124
2008/0061195	A1*	3/2008	Carnevali	248/125.8	2010/0067729	A1*	3/2010	Upham et al.	381/363
2008/0061210	A1*	3/2008	Carnevali	248/447	2011/0192269	A1*	8/2011	Voorhees	84/421
2008/0163739	A1*	7/2008	Mori	84/421	2011/0255226	A1*	10/2011	Duncan Seil et al.	361/679.01
2008/0203260	A1*	8/2008	Carnevali	248/316.5	2011/0283863	A1*	11/2011	Dunlop	84/329

* cited by examiner

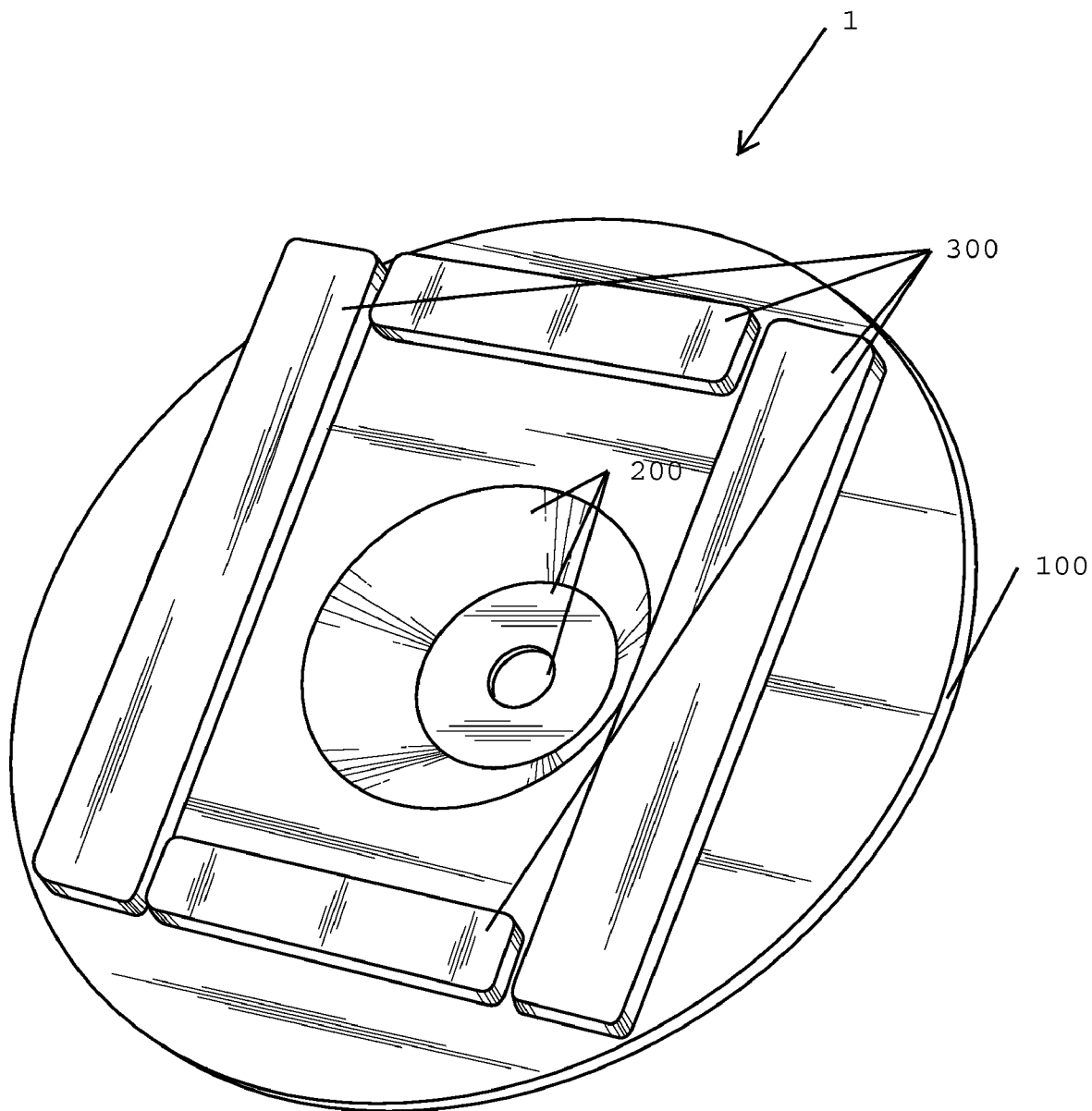


FIG. 1

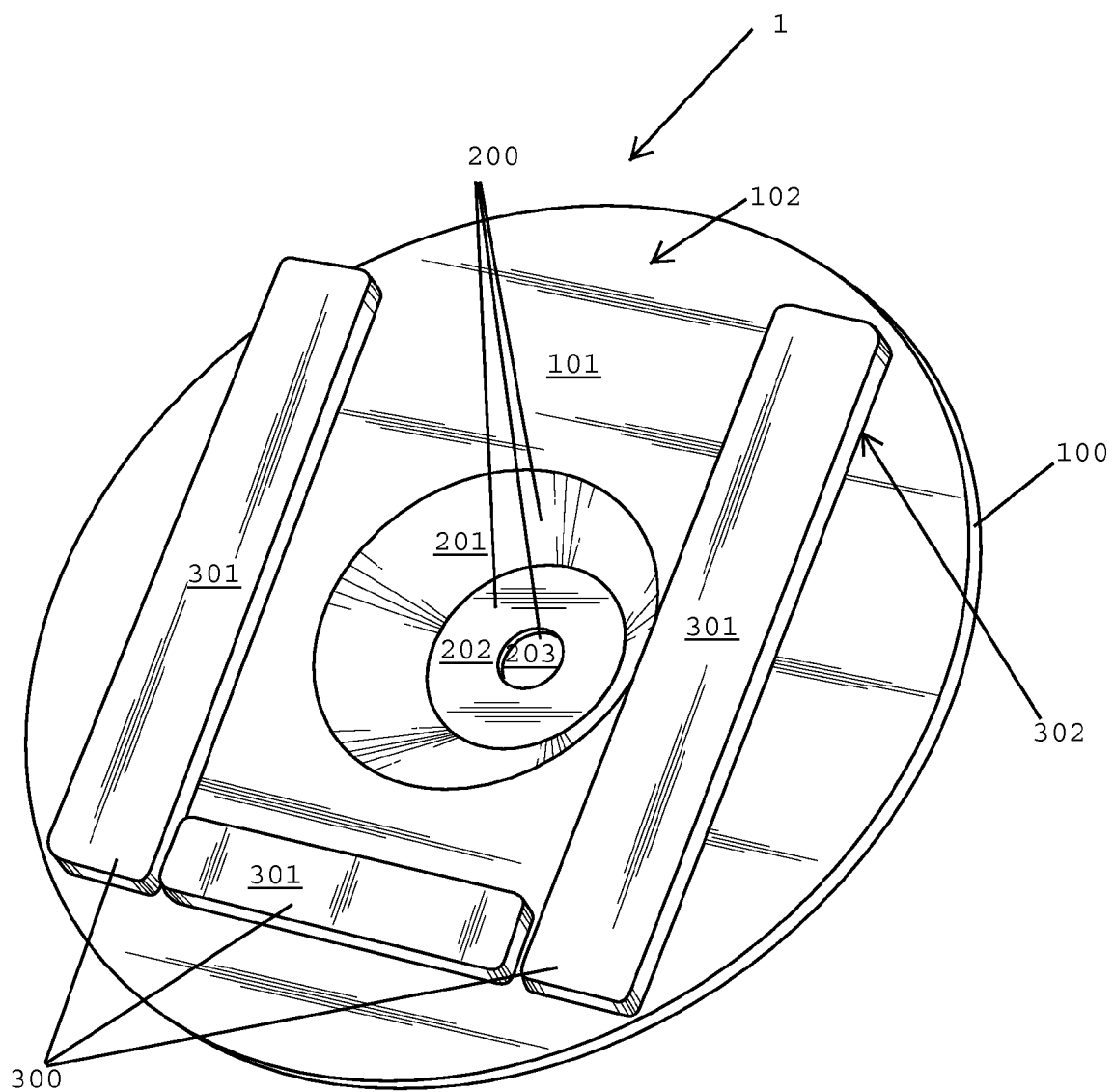


FIG. 2

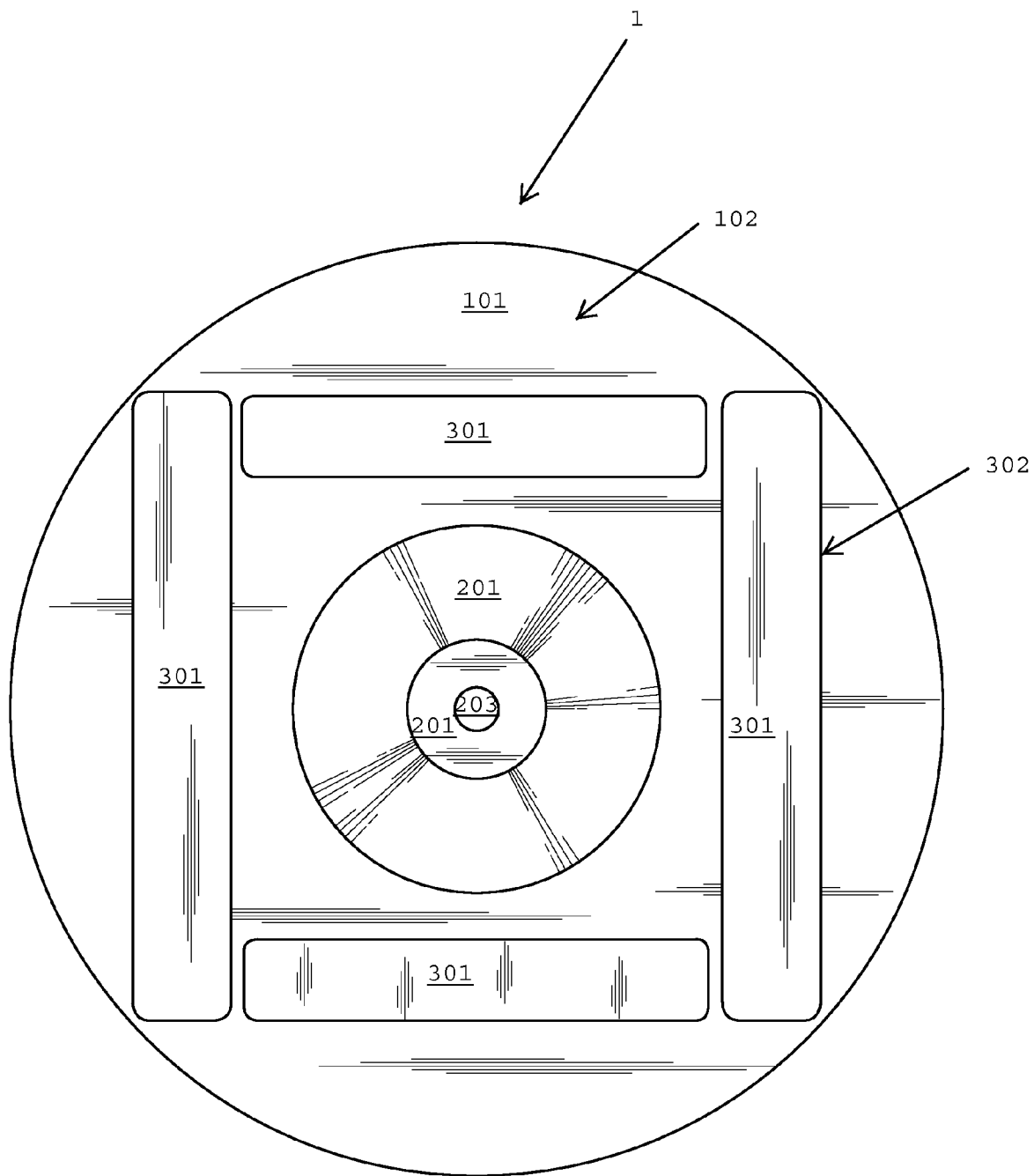


FIG. 3

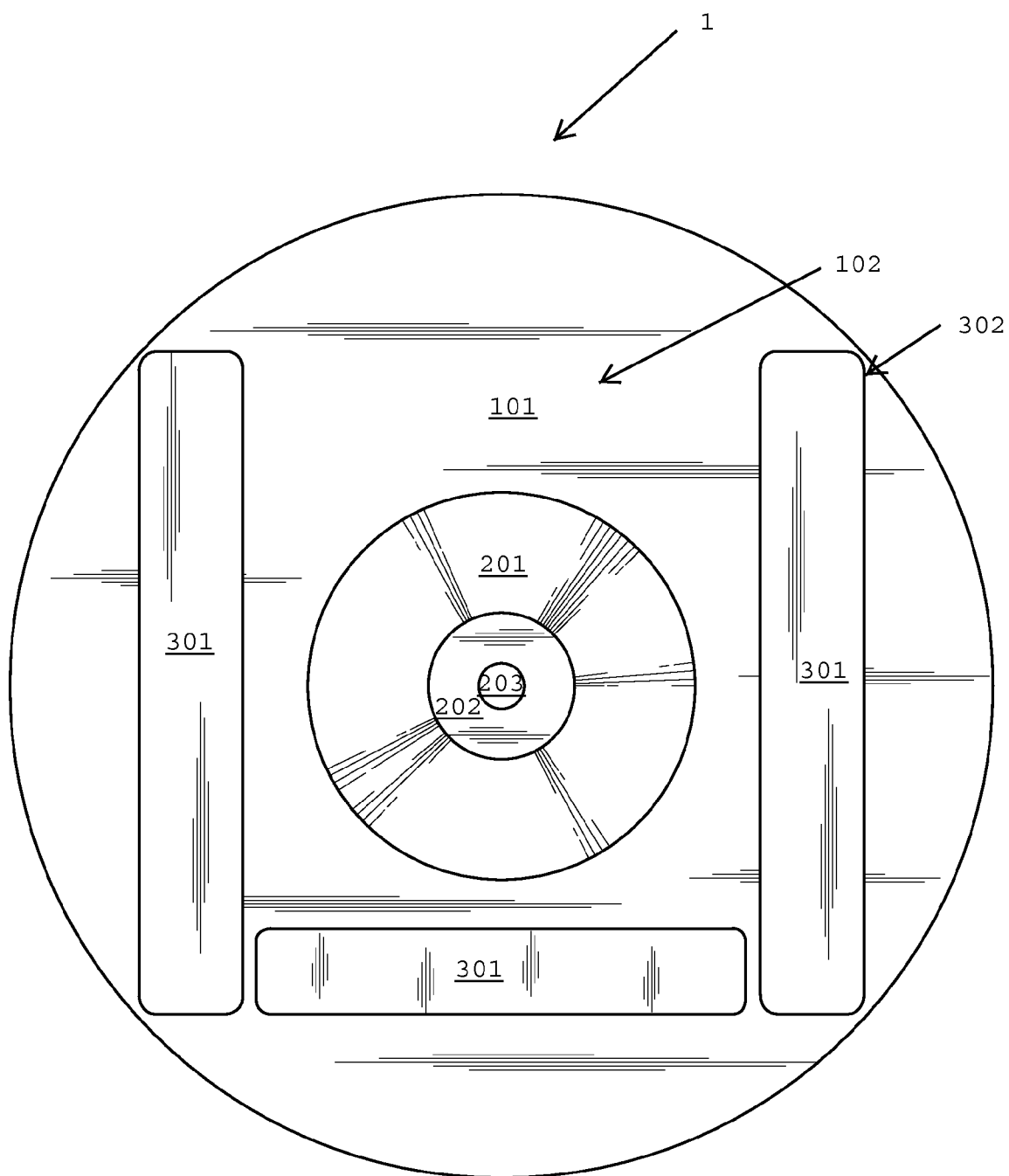
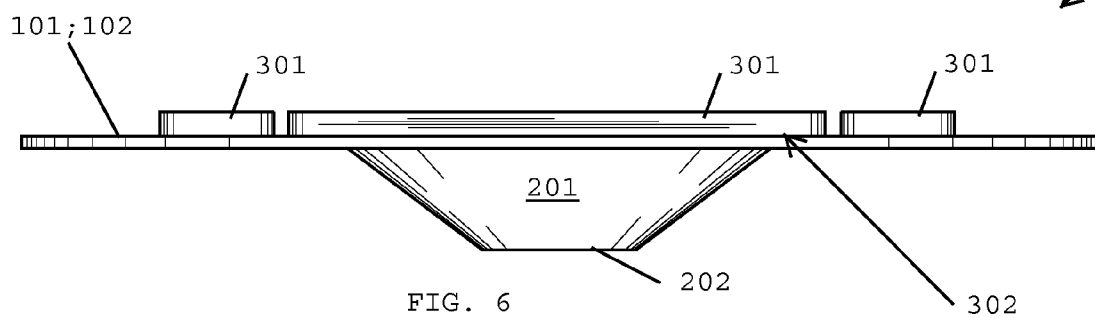
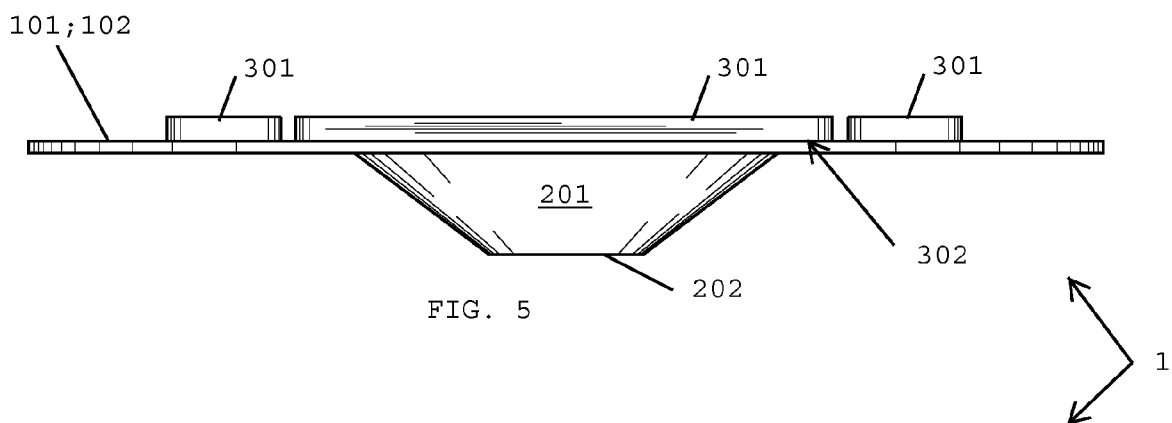


FIG. 4



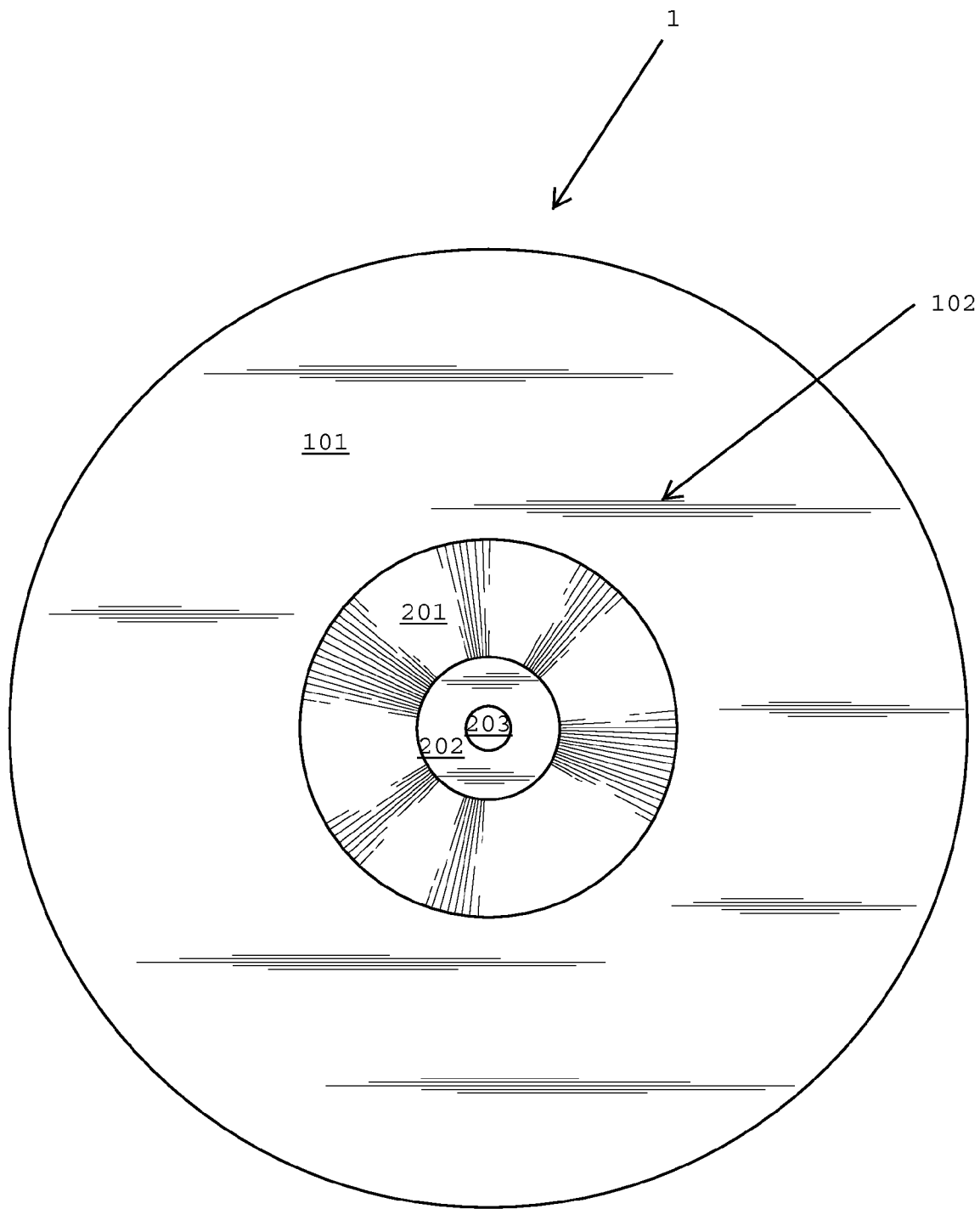


FIG. 7

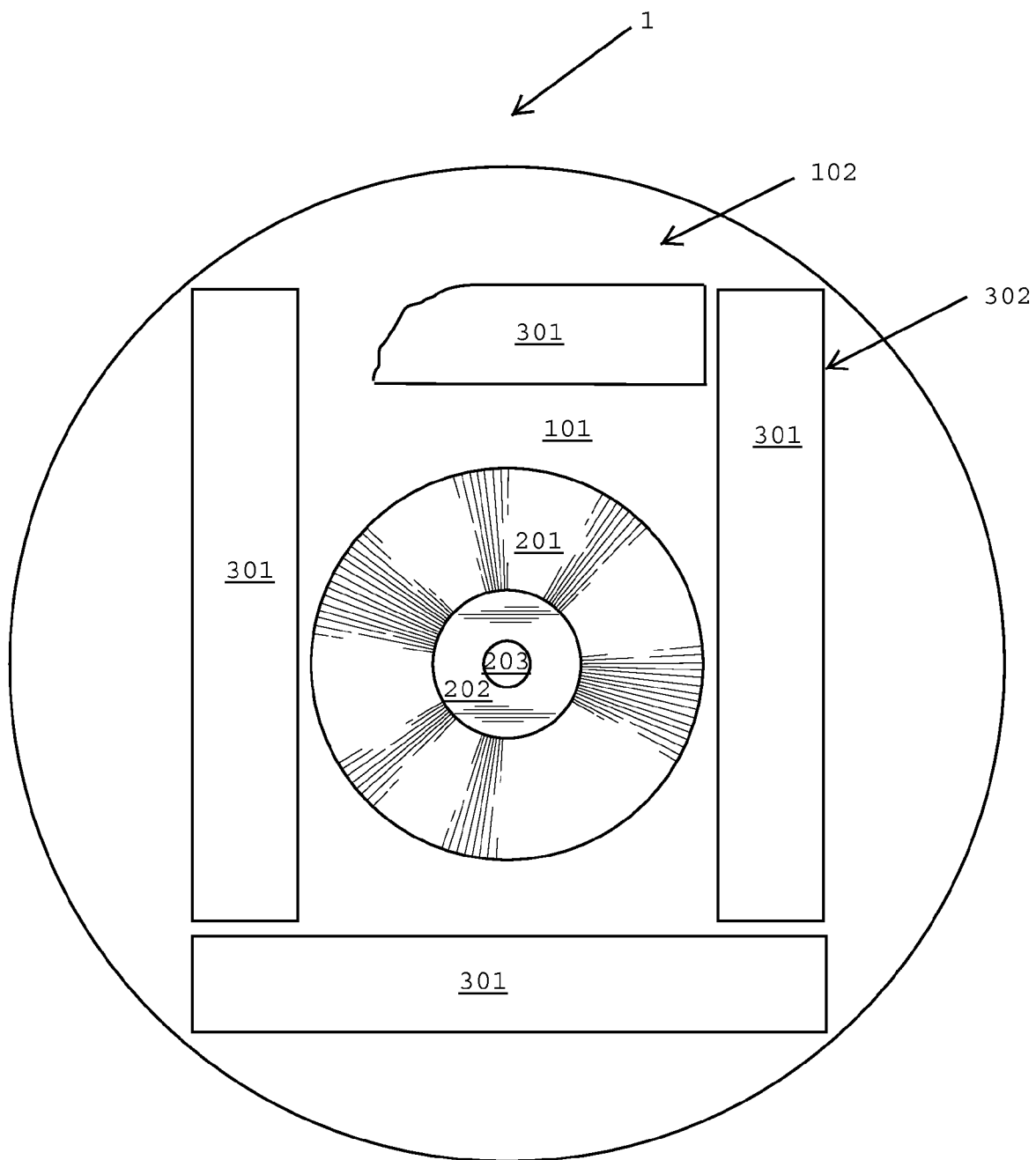


FIG. 8

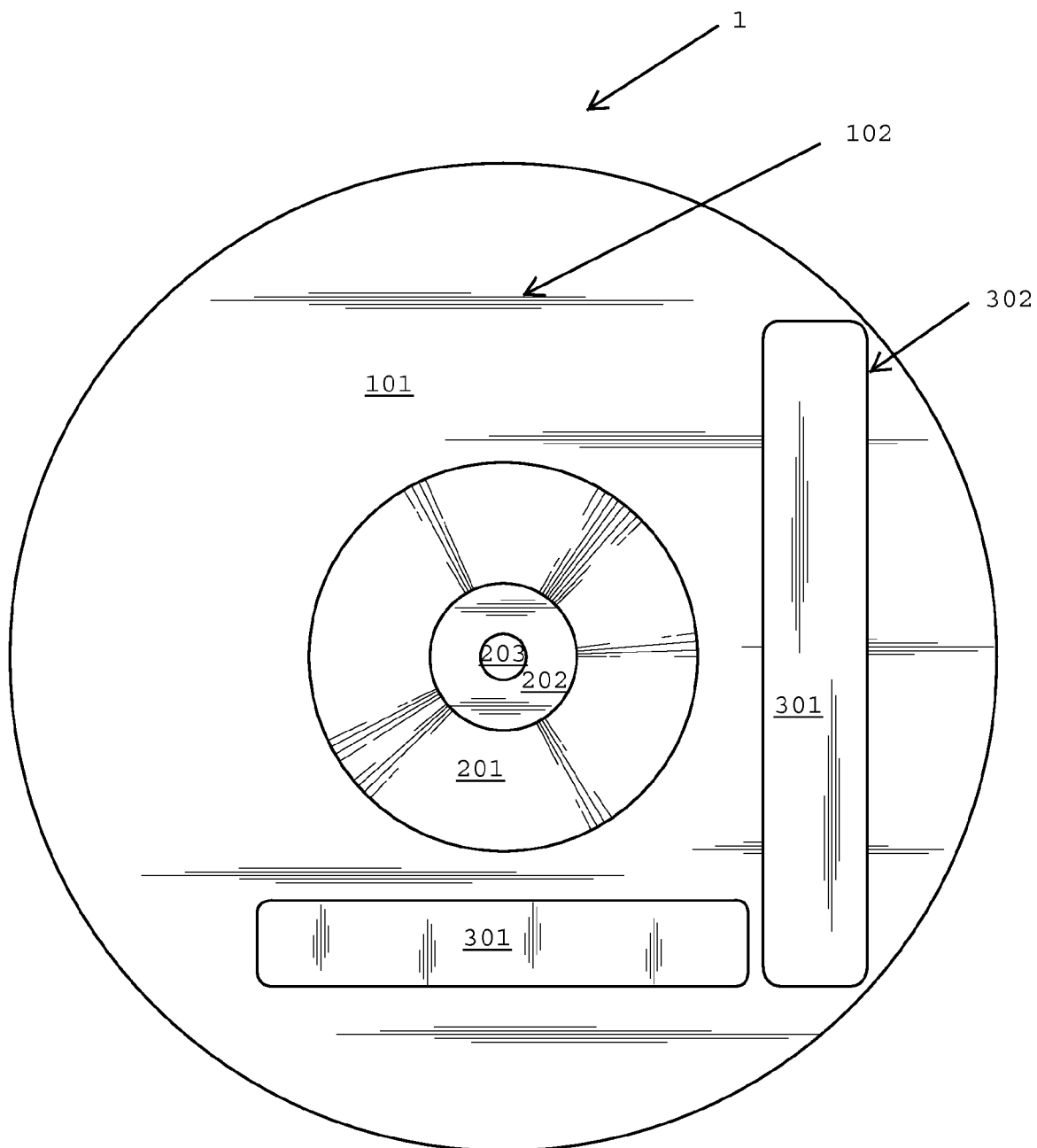


FIG. 9

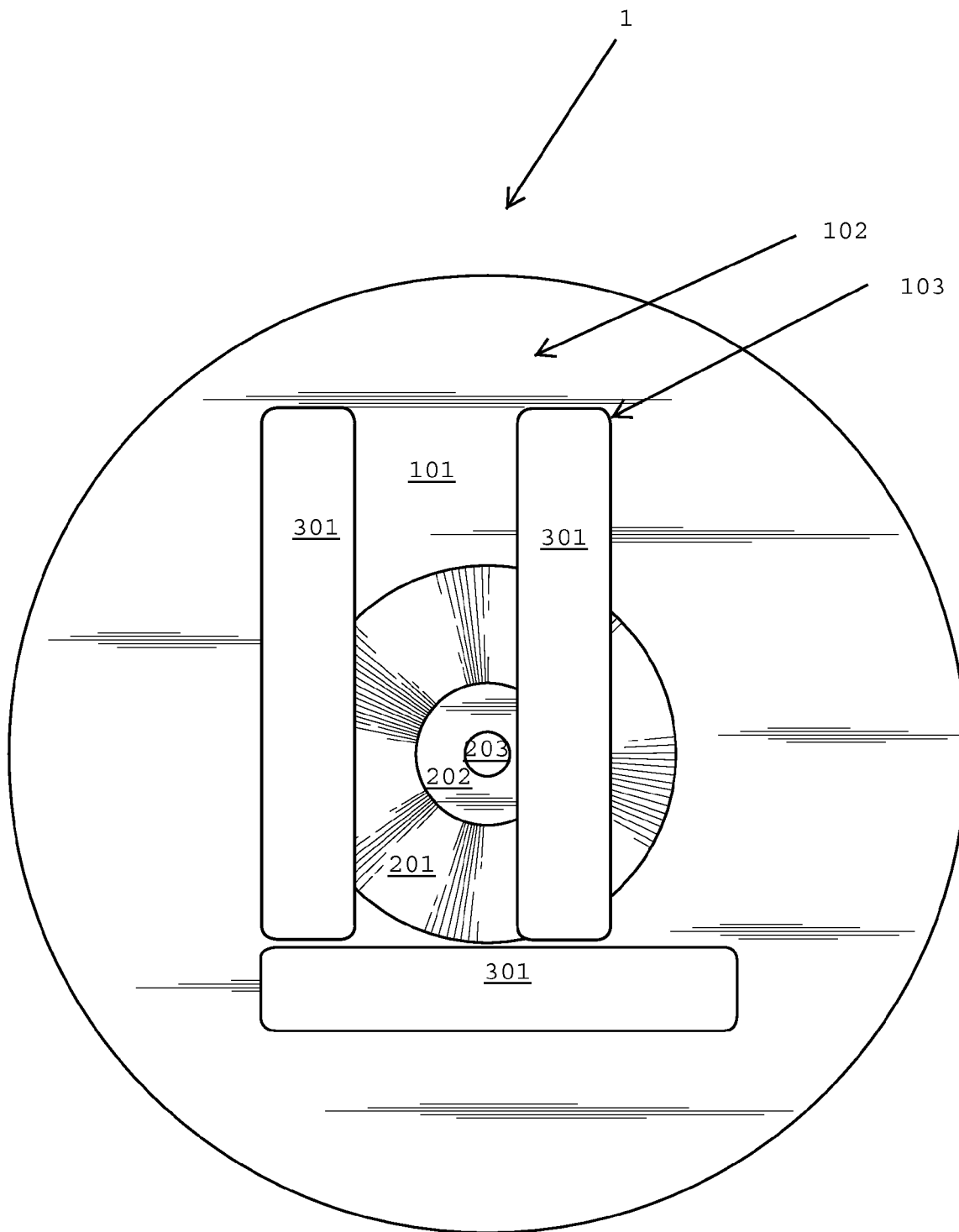
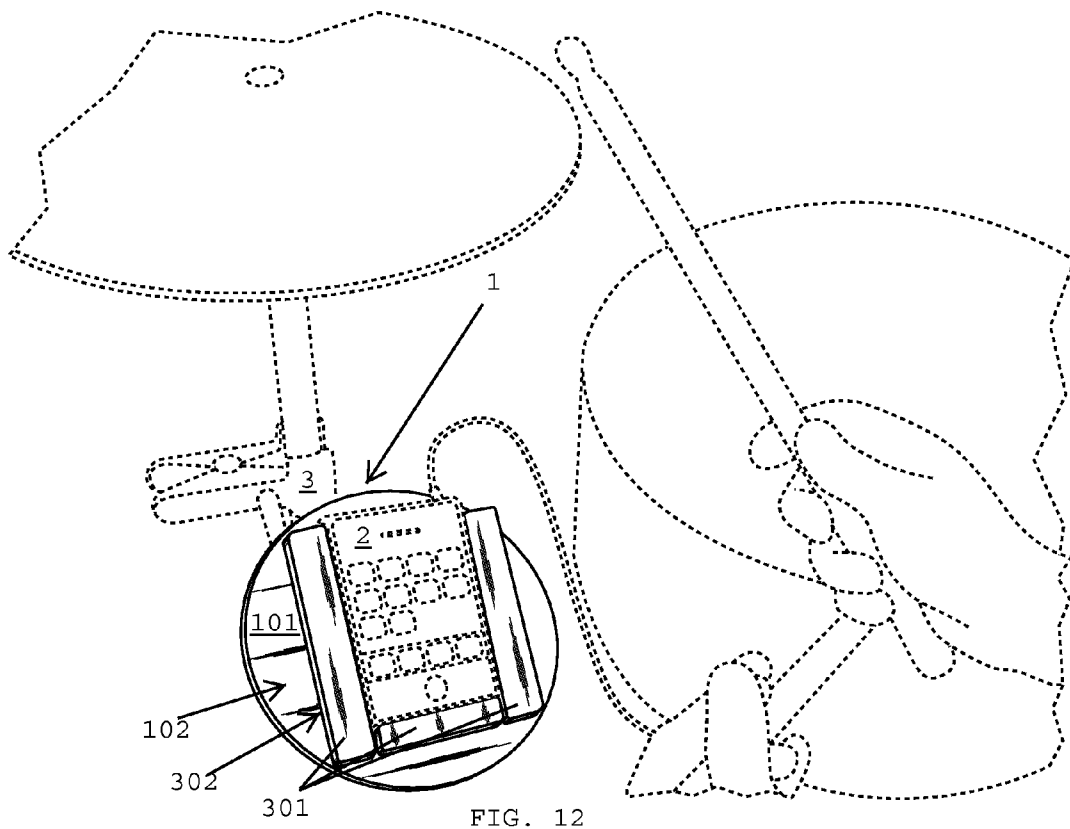
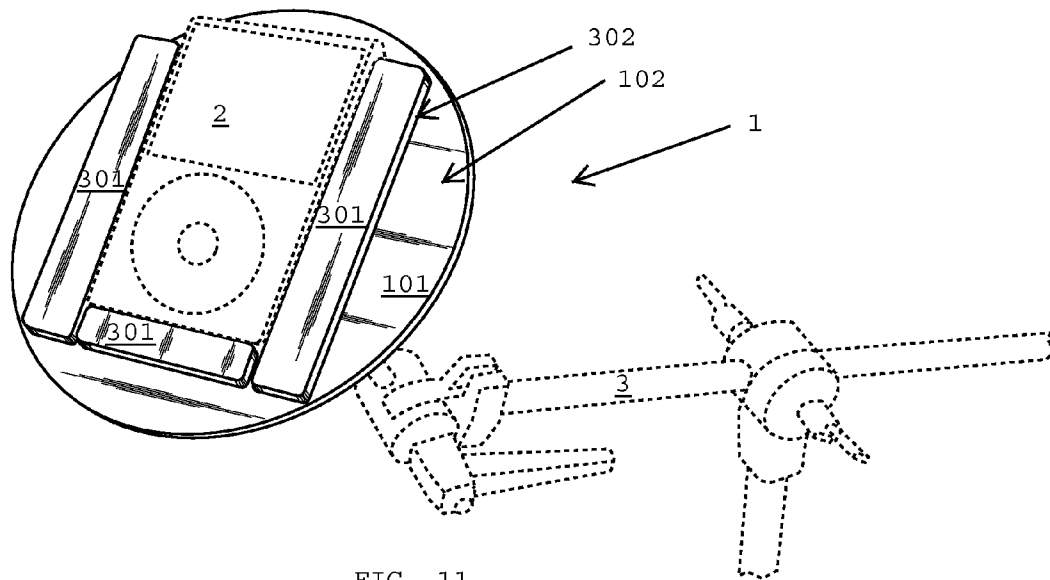


FIG. 10



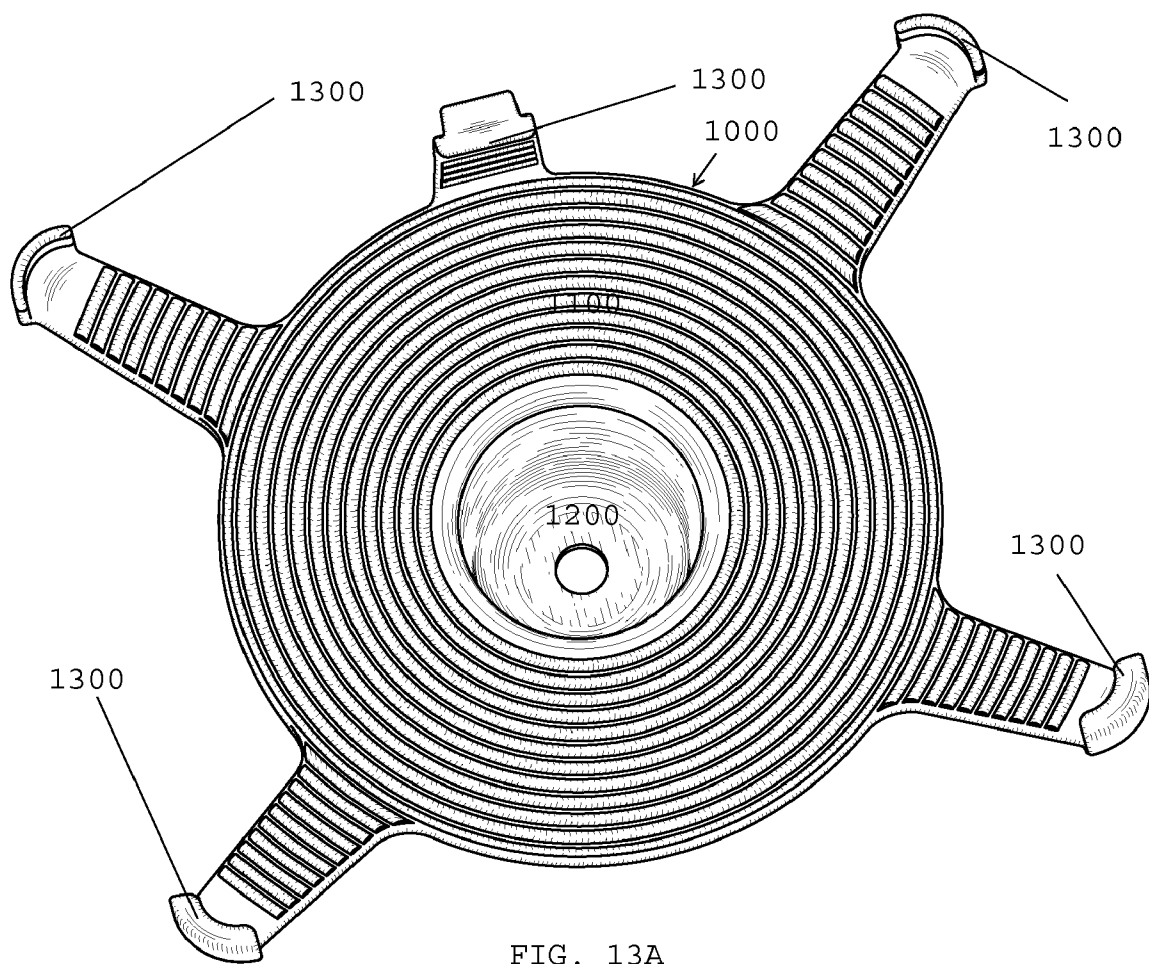


FIG. 13A

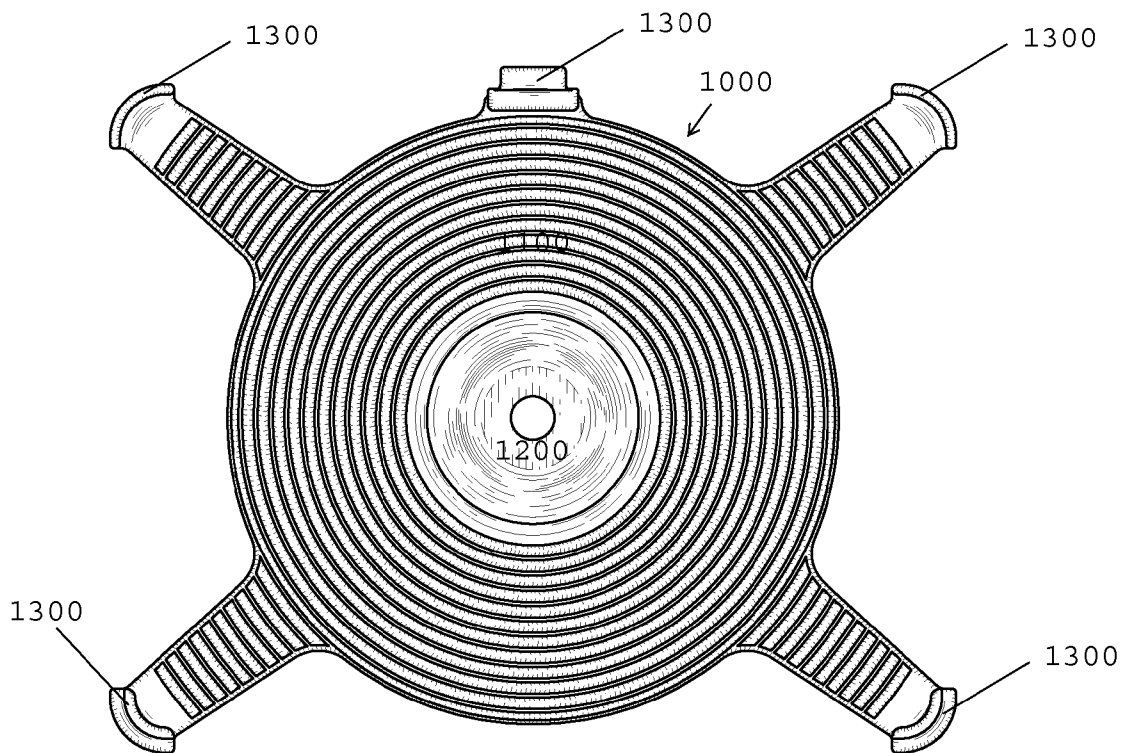


FIG. 13B

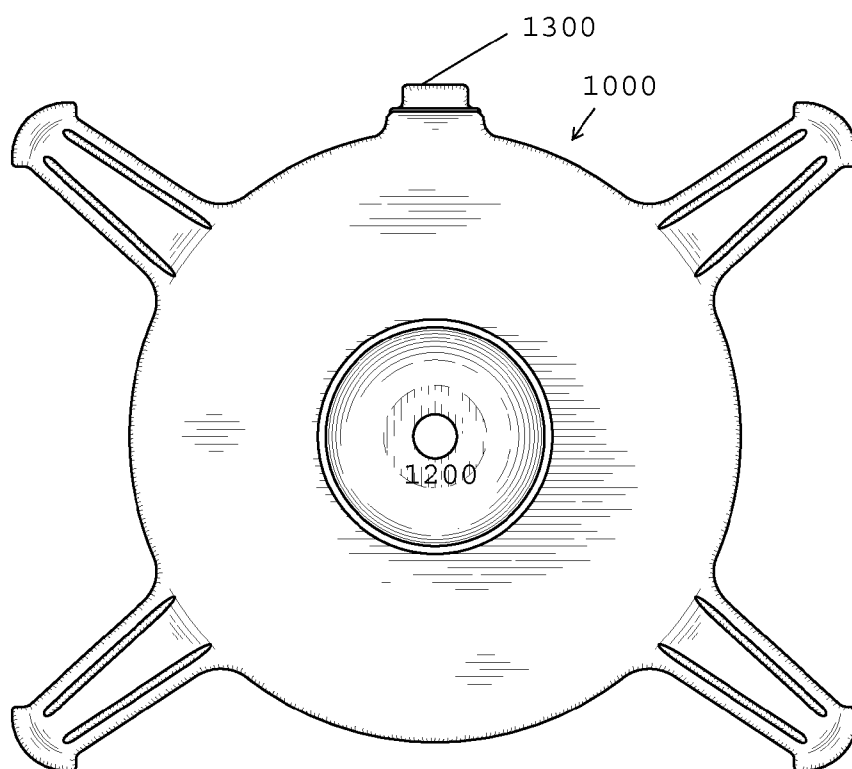


FIG. 13C

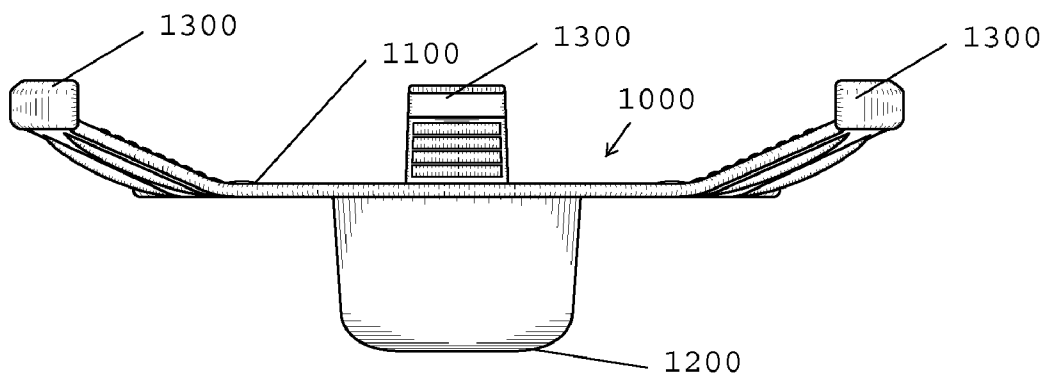


FIG. 13D

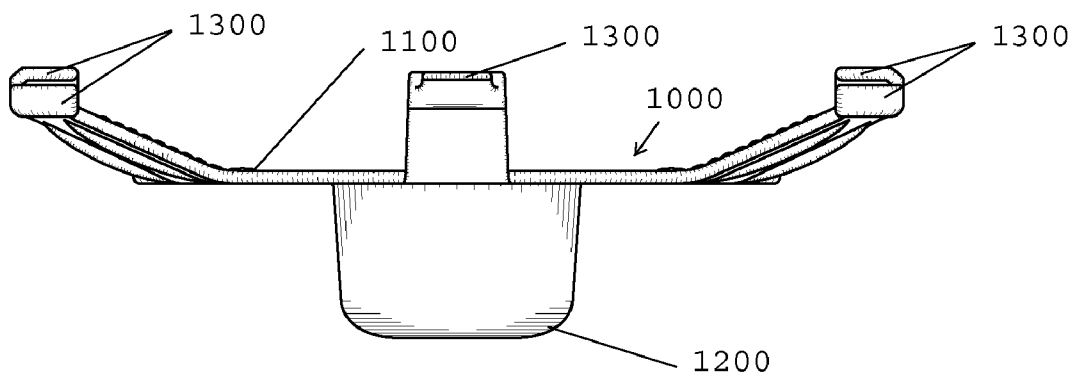


FIG. 13E

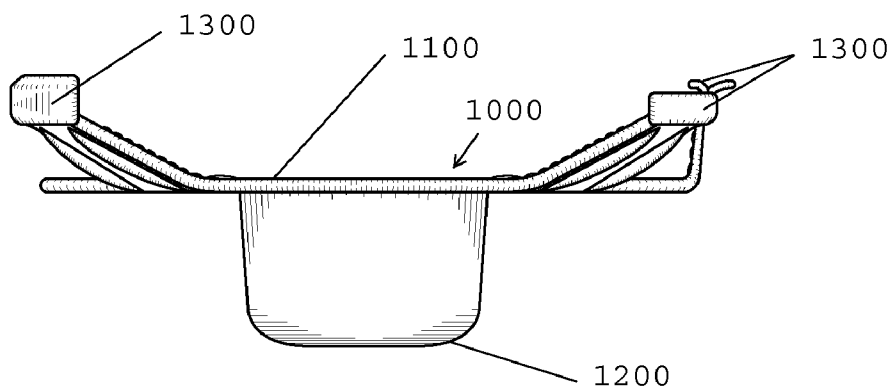


FIG. 13F

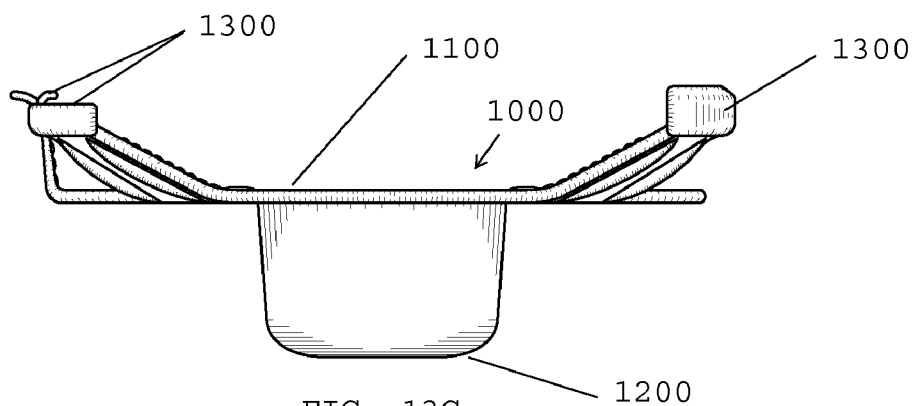


FIG. 13G

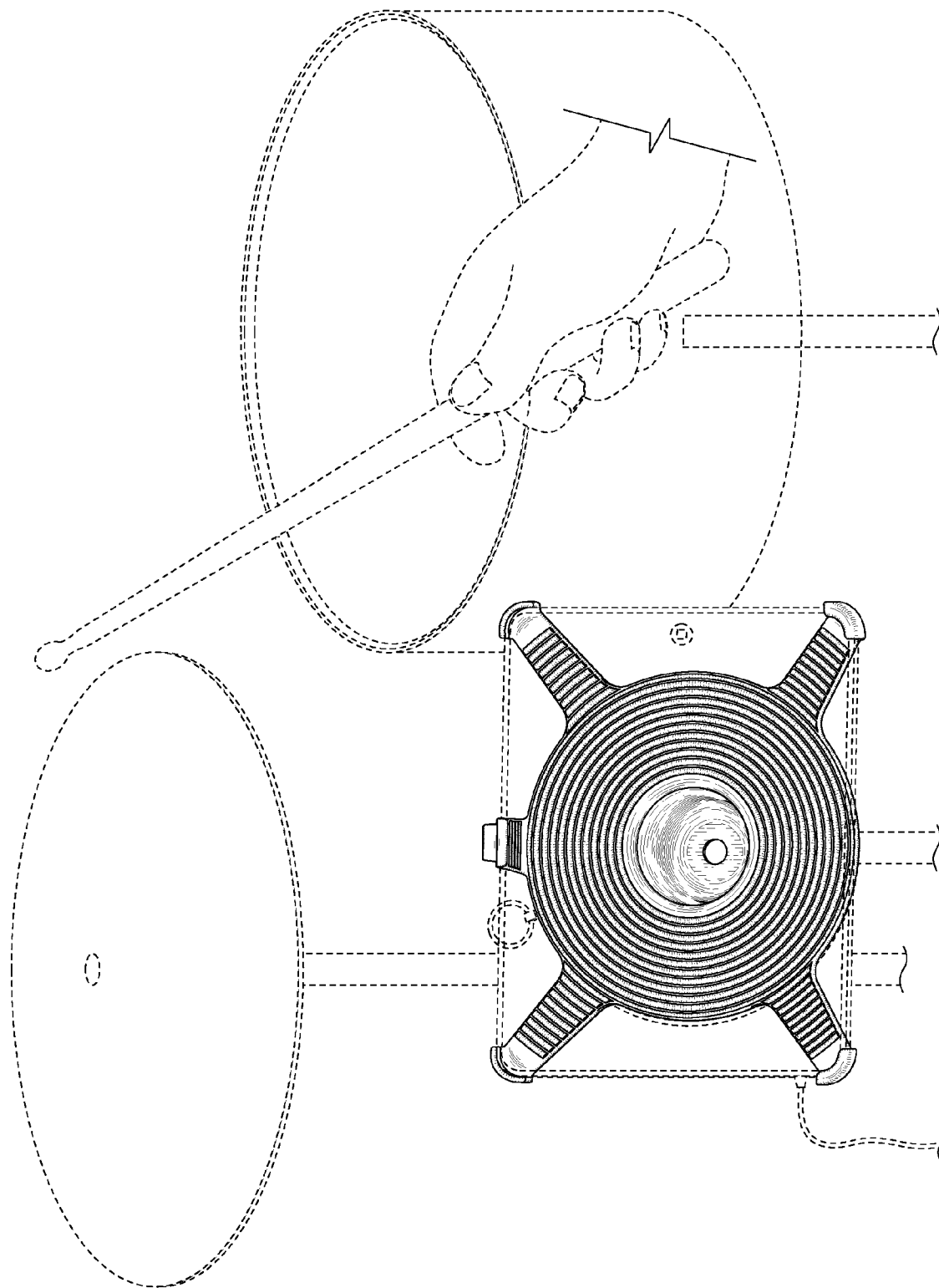


FIG. 13H

1

**PORTABLE STAND AND MOUNT FOR
SECURING A PORTABLE MEDIA OR AUDIO
PLAYER TO A SUPPORT**

CROSS-REFERENCE TO RELATED
APPLICATIONS

This application claims the priority of U.S. Prov. Pat. App. Ser. No. 61/233,814 (filed Aug. 13, 2009) entitled "A PORTABLE STAND AND MOUNT FOR SECURING A PORTABLE MEDIA OR AUDIO PLAYER TO A SUPPORT."

STATEMENT REGARDING FEDERALLY
SPONSORED RESEARCH OR DEVELOPMENT

Not applicable.

BACKGROUND OF THE INVENTION

1. Field of Invention

This invention is in the field of an apparatus for securing a portable media or audio player to a drum kit or other musical instrument or a support.

2. Background of the Invention

Various types and sizes of media or audio players are available for use by a musical instrument playing musician. Frequently, musicians, especially drummers, use the media/audio players to produce accompaniment for practicing or performing the operation of their chosen musical instrument. Accordingly, the musician must change, from time-to-time, between operation of the media/audio player and the musical instrument.

Under such circumstances, conventional use and operation methods for the media or audio players have typically been inadequate. Typically, the musician cannot always have the musical instrument and the media/audio player within operable reach, thereby increasing the down-time associated with operating the media/audio player. Furthermore, the typical location for the musician to place the media/audio player is not readily adaptable to media/audio players of differing sizes and shapes.

SUMMARY OF THE INVENTION

Accordingly, it is an object of the present invention to provide an apparatus and the associated methods for placing a media and audio player within the operable reach of a musician playing a musical instrument, possibly even on the instrument itself.

It is an object of the present invention to provided an apparatus and the associated methods for providing a location wherein media/audio players of different physical dimensions and shapes may be placed.

It is an object of the present invention to provided an apparatus and the associated methods for facilitating the media/audio player accompaniment of a musician playing a musical instrument.

It is yet another object of the present invention to provided an apparatus adjustable to accommodate different devices and positions as well as rapid placement and removal.

BRIEF DESCRIPTION OF THE FIGURES

Other objectives of the invention will become apparent to those skilled in the art once the invention has been shown and described. The manner in which these objectives and other

2

desirable characteristics can be obtained is explained in the following description and attached figures.

FIG. 1 is an overhead perspective view of the apparatus 1 of the present application.

5 FIG. 2 is an overhead perspective view of another configuration of the apparatus 1 of the present invention.

FIG. 3 is a top view of the apparatus 1 depicted in FIG. 1.

FIG. 4 is a top view of the apparatus 1 depicted in FIG. 2.

10 FIG. 5 is a side view of the apparatus 1 depicted in FIGS. 1 and 3.

FIG. 6 is a side view of the apparatus 1 depicted in FIGS. 2 and 4.

FIGS. 7, 8, 9, and 10 are top views of alternative configurations of the apparatus 1 of the present invention.

15 FIG. 11 is a perspective view of the apparatus 1 attached to a support 3.

FIG. 12 is a contextual view of the apparatus 1 attached to a drum kit.

20 FIG. 13A is a perspective view of another apparatus 1000 of the present application.

FIG. 13B is a front plan view of the apparatus 1000 of FIG. 13A.

FIG. 13C is a back plan view of the apparatus 1000 of FIG. 13A.

25 FIG. 13D is a top plan view of the apparatus 1000 of FIG. 13A.

FIG. 13E is a bottom plan view of the apparatus 1000 of FIG. 13A.

30 FIG. 13F is a right side plan view of the apparatus 1000 of FIG. 13A.

FIG. 13G is a left side plan view of the apparatus 1000 of FIG. 13A.

FIG. 13H is an environmental view of the apparatus 1000 of FIG. 13A.

35 It is to be noted, however, that the appended figures illustrate only typical embodiments of this invention and are therefore not to be considered limiting of its scope, for the invention may admit to other equally effective embodiments that will be appreciated by those reasonably skilled in the relevant arts. Also, figures are not necessarily made to scale but are representative.

DETAILED DESCRIPTION OF PREFERRED
EMBODIMENTS

45 In general, the apparatus 1 of the present invention defines a means for placing different sized and shaped media/audio players within the operable reach of a musician playing a musical instrument. In general operation, the apparatus 1 may: be removably attached to a support and positioned within the operable reach of a musician; be customized to the size and/or shape of a media/audio player; and, receive a media/audio player.

50 FIG. 1 illustrates an overhead perspective view of the apparatus 1 of the present invention. As seen in the figure, the apparatus 1 typically comprises three main features: (1) a support platform 100; (2) a base 200; and (3) a means for securing a particular media/audio player 300 to the apparatus 1.

55 FIG. 2 also illustrates an overhead perspective view of the apparatus 1, but, unlike FIG. 1, FIG. 2 illustrates the securing means 300 in one of many different configurations.

60 FIGS. 3 and 4 respectively depict a top view of the apparatus 1 in the FIG. 1 and FIG. 2 configurations. FIGS. 3 and 4 also depict the preferable structure of the support platform 100. Still referring to FIGS. 3 and 4, the support platform 100 may be defined by a surface 101 planarily extending around

3

the top of the base **200**. Preferably, the surface **101** features an adhering means **102** for removably and repeatably associating the surface **101** with the securing means **300** (compare FIG. **3** with FIG. **4** wherein a portion of the securing means **300** has been detached from the surface **101** of the apparatus **1** to create a different securing means **300** configuration). However, as discussed below, a cooperating adhering means **302** may also be provided to the securing means **300**. In the preferable embodiment, the cooperating adhering means **102** and **302** may be a hook and loop fastener system, as has been marketed under Velcro® trademarks or some other adhesive for repeatable attachment/removal.

FIGS. **5** and **6** respectively depict a side view of the apparatus **1** in the FIG. **1** and FIG. **2** configurations. FIGS. **3** through **6** also depict the preferable structure of the base **200**. Still referring to FIG. **3** through **6**, the base **200** is preferably defined by a connecting wall **201**, a bottom **202**, and an aperture **203**. In one embodiment, the base **200** may define a depression on the support platform **100** (i.e., the wall **201** merges into both the bottom **202** and the surface **101**). In another embodiment, the base **200** may be a separate component from the surface **101** and (in such a case) adhesive, weld, fasteners (including male-female screw and nut insertion of the base **200** into the platform **100**), and other fastening means known to one of skill in the art may be employed for assembling the base **200** and support platform **100**. Finally, the aperture **203** may define a means for attaching the apparatus **1** to a support via a nut and bolt system, or the like, interacting therewith.

FIGS. **1** through **6** respectively illustrate two different configurations of the apparatus **1**. More specifically, FIGS. **2**, **4**, and **6** depict the apparatus **1** wherein the securing means **300** has been adapted to a different configuration than depicted in FIGS. **1**, **3**, and **5**. A comparison of the two depicted configurations, discloses information about the structure and function of the securing means **300**.

FIGS. **1** and **2** best depict the preferable structure of the securing means **300**. As seen in the stated figures, the securing means **300** is defined by a plurality of support structures **301**. The specific dimensions of the support structures **301** may vary depending on the media/audio player to be supported. Subject thereto, the support structures are preferably between the thickness (i.e., distance protruding from the surface **101**) of zero-point-one centimeters (0.1 cm) and four inches (4 in). It should be noted that the size of the securing means **300** may vary in size and shape in order to accommodate plugs and volume controls used with the media/audio player (see the photos appended to the drawings). As seen by comparing FIGS. **1** and **2**, structures **301** composing the securing means **300** may be exchanged, depleted or supplemented with structures **301** of the same or varying dimensions (see also FIGS. **7** through **10**). The support structures **301** may be made of foam, wood, rubber, plastic, metal, and etcetera. As discussed above support structures may preferably feature an adhering means **302** for cooperating with the adhering means **102** on the surface **101**. In an alternate embodiment, the support structures **301** may feature an independent adhering means **302** or none at all. In the preferable embodiment, the adhering means **102** and **302** are a hook and loop fastener system, as has been marketed under Velcro® trademarks or some other adhesive for repeatable attachment/removal or some other adhesive for repeatable attachment/removal. In alternate embodiments of the securing means **300**, the securing means **300** may feature a strap that extends over a media/audio player to retain it within the securing means.

FIGS. **3** and **4** best depict the preferable function of the securing means **300**. As seen in the stated figures, the location

4

of the support structures **301** may be manipulated about the surface **101** to fit the size and shape of the would-be supported media/audio player. Manipulation of the support structure **301** location may be accomplished via detaching the individual support structures **301** from the surface **101** (i.e., disengaging the adhering means **102** and **103**) and subsequently refastening the structure **301** to a different spot on the surface **101**. For example, a structure **301** from the apparatus **1** configuration of FIG. **3** may be removed to create the apparatus **1** configuration of FIG. **4** in order to accommodate a media/audio player of greater length.

FIG. **7** illustrates the top view of the apparatus with the securing means **300** entirely removed for supporting a media/audio player that occupies the substantial portion of the surface **101**. FIG. **8** through **10** illustrate variations and of the securing means **300** configuration on the apparatus **1**.

FIG. **11** illustrates a contextual view of the apparatus **1** provided to a support **3**. As depicted in the figure, a media/audio player **2** has been provided to a securing means **300** adapted to the size and shape of the player **2**. Also seen in the figure is the support **3** to which the apparatus **1** is provided. In this particular embodiment, the support **3** is a stand-alone structure with multiple degrees of freedom for positioning the surface **101** of the platform **100** toward the musician and at a height whereby the media/audio player may be rapidly operated, placed, and removed. The apparatus **1** is provided to the support **3** via a screw and nut system operating through the aperture **203**.

FIG. **12** illustrates a contextual view of the apparatus **1** provided to a drum kit **4**. As depicted in the figure, a media/audio player **2** has been provided to a securing means **300** adapted to the size and shape of the provided player **2**. Also seen in the figure is the support **3** to which the apparatus **1** is provided. In this particular embodiment, the support **3** is coupled to a cymbal stand and the surface **101** of the platform **100** is directed toward a drummer at a height whereby the media/audio player may be rapidly operated, placed, and removed while the drummer is playing the associated drum kit. The apparatus **1** is provided to the support **3** via a screw and nut system operating through the aperture **203**.

It should be noted that the apparatus **1** may take on the general appearance of a cymbal in order to visually blend with the drum kit. Furthermore, the apparatus **1** may be mounted to a drum kit in a manner similar to a cymbal or on a cymbal stand. The stated features assist the drummer in maintaining fluency during drumming because the drummer will not likely be distracted by an apparently foreign object.

FIG. **13A-13H** are respectively a perspective view, a front view, a back view, a top view, a bottom view, a right side view, a left side view, and an environmental view of another apparatus **1000**. As seen in these figures, the apparatus **1000** typically comprises three main features: (1) a support platform **1100**; (2) a base **1200**; and (3) a means for securing a particular media/audio player **1300** to the apparatus **1000**. The disclosed apparatus **1000** operates generally in the manner disclosed above in connection with the apparatus **1** (depicted in FIGS. **1-12**) and its securing means **1300** are suitably positioned on the support surface **1100** to accommodate media/audio players of the tablet computer variety (e.g., iPad (trademark of Apple, Inc.)). The support platform **1100** generally operates like, and has similar components as, the support platform **100** of the apparatus **1** (depicted in FIGS. **1-12**), except that the platform **1100** is made larger to accommodate media/audio players of the tablet variety via extensions **1110**. The base **1200** generally operates like, and has similar components as, the base **200** of the apparatus **1** (depicted in FIGS. **1-12**). The securing means **1300** generally operate like, and

5

have similar components as, the securing means **300** of the apparatus **1** (depicted in FIGS. 1-12). In the depicted embodiment, the securing means **1300** are affixedly positioned thereon the support platform to accommodate the dimensions of a media/audio player of the tablet variety rather than being adhered thereto in said configuration via an adhering means.

In summary, what is disclosed may be a method of accompanying a musical instrument comprising the steps of: obtaining a media/audio player **2**; obtaining an apparatus **1** featuring a securing means **300**; obtaining a support; attaching the apparatus **1** to said support; manipulating the securing means **300** to the size and dimensions of said media/audio player; placing said media/audio player within the apparatus **1**; and moving said apparatus **1** and media player **2** within the operable reach of a musician; and operating the media/audio player **2**. What is disclosed may also be an apparatus **1** comprising a base, support platform, and a securing means. What is disclosed may also be a method of setting-up a support apparatus comprising the steps of: obtaining an apparatus **1** featuring a securing means **300**; obtaining a support; attaching the apparatus **1** to said support; manipulating the securing means **300** to the size and dimensions of a media/audio player; and moving said apparatus **1** to within the operable reach of a musician.

It should be noted that the figures and the associated descriptions are of illustrative importance only. In other words, the depictions and descriptions of the present invention should not be construed as limiting of the subject matter in this application. The apparatuses, assemblies, components, order and inclusion of steps, and methods discussed hereby are susceptible to modification without changing the overall concept of the disclosed invention. Such modifications might become apparent to one skilled in the art after reading this disclosure.

I claim:

1. A method of accompanying a musical instrument comprising the steps of:

obtaining a media/audio player;
obtaining an apparatus for holding a media/audio player and at least one securing means defined by at least one block—a structure element assuming a volume and having generally flat sides;

wherein the apparatus comprises a base with an aperture and a platform extending from around the base to result in a surface to receive said player;

obtaining a support for suspending the apparatus within a musical performance area;

attaching the apparatus to said support via a connector operating through said aperture;

positioning the securing means in an arrangement on said apparatus surface according to the size and dimensions of said player and so that an edge of said at least one block is oriented transverse relative to the surface; and placing said player either adjacent to a singular block or within the positioned securing means arrangement when plural blocks provide the securing means;

moving said apparatus, support, and player within the operable reach of an instrument-playing musician; and, operating the player.

2. The method of claim **1** wherein the apparatus resembles a cymbal in size and shape, and said support is a cymbal stand of a drum kit.

3. The method of claim **1** wherein the step of positioning the securing means on said apparatus according to the size and dimensions of said player is facilitated via an adhering means.

6

4. The method of claim **1** wherein the securing means are defined by a plurality of block support structures.

5. The method of claim **3** wherein the securing means are defined by a plurality of block support structures, which may also be rectangular.

6. An apparatus for supporting a media/audio player, said apparatus comprising:

a base, with a bottom that has an aperture configured for attachment to a support;

a platform which extends around the base to form a surface; and

securing means defined by four arms that are fixedly attached around the surface so that the arms extend outwardly from said platform, and wherein an edge of each arm is on an outward end of each structure, the four arm edges receiving a respective one corner of a media/audio player to secure the player to the platform.

7. The apparatus of claim **6** wherein said securing means are positioned on said surface of said platform according to the size and dimensions of said player.

8. The apparatus of claim **6** wherein the support is defined by a musical instrument structure.

9. The apparatus of claim **8** wherein the apparatus resembles a cymbal, and said support is a cymbal stand of a drum kit.

10. The apparatus of claim **9** wherein the base is configured for attachment to the cymbal stand via a connector operating through the aperture.

11. The apparatus of claim **10** wherein the apparatus resembles a cymbal in view of said platform extending around said base to form a disk.

12. A method of setting-up a support platform comprising the steps of:

obtaining an apparatus featuring the support platform positioned around a base with an aperture;

arranging at least one securing means on the platform defined by at least one block—a structure element assuming a volume and having generally flat sides, and wherein an edge of said at least one block is configured for abutment with a media/audio player to secure it in place;

obtaining a support for suspending the platform at a location preferred by an instrument-playing musician;

attaching the apparatus to said support by operating a connector through the aperture in the base of the apparatus;

ensuring that said edge of the securing means is positioned according to the size and dimensions of the media/audio player; and

moving said apparatus to within the operable reach of an instrument-playing musician into a preferred position.

13. The method of claim **12** wherein the support platform resembles a cymbal in size and shape, and said support is a cymbal stand of a drum kit.

14. The method of claim **12** wherein the step of ensuring that, relative to said support platform, said edge, of the securing means is positioned according to the size and dimensions of said player is accomplished via a hook and loop adhering system between said support structures and said platform.

15. The method of claim **12** wherein the securing means are defined by a plurality of rectangular block support structures.

16. The method of claim **13** wherein the securing means are defined by at least one support structure in the general form of a rectangular block.

17. The apparatus of claim **14** wherein the securing means are defined by a plurality of thin blocks.