



US010617170B1

(12) **United States Patent**
Arnold

(10) **Patent No.:** **US 10,617,170 B1**
(45) **Date of Patent:** **Apr. 14, 2020**

(54) **SANDAL OR SLIP-ON FOOTWEAR WITH IMPROVED OPTIONAL-USE HEEL STRAP AND RELATED METHODS**

(71) Applicant: **Stephen Arnold**, San Diego, CA (US)

(72) Inventor: **Stephen Arnold**, San Diego, CA (US)

(*) Notice: Subject to any disclaimer, the term of this patent is extended or adjusted under 35 U.S.C. 154(b) by 0 days.

(21) Appl. No.: **16/450,835**

(22) Filed: **Jun. 24, 2019**

Related U.S. Application Data

(63) Continuation-in-part of application No. 29/695,000, filed on Jun. 14, 2019.

(51) **Int. Cl.**
A43B 3/24 (2006.01)
A43B 3/12 (2006.01)
A43B 3/00 (2006.01)

(52) **U.S. Cl.**
CPC *A43B 3/242* (2013.01); *A43B 3/0073* (2013.01); *A43B 3/122* (2013.01); *A43B 3/126* (2013.01)

(58) **Field of Classification Search**
CPC *A43B 3/242*; *A43B 3/126*; *A43B 3/122*; *A43B 3/073*; *A43B 3/24*; *A43B 3/12*
See application file for complete search history.

(56) **References Cited**

U.S. PATENT DOCUMENTS

366,266 A * 7/1887 Smithers A43B 23/28 36/58.5
430,982 A 6/1890 Ziegler

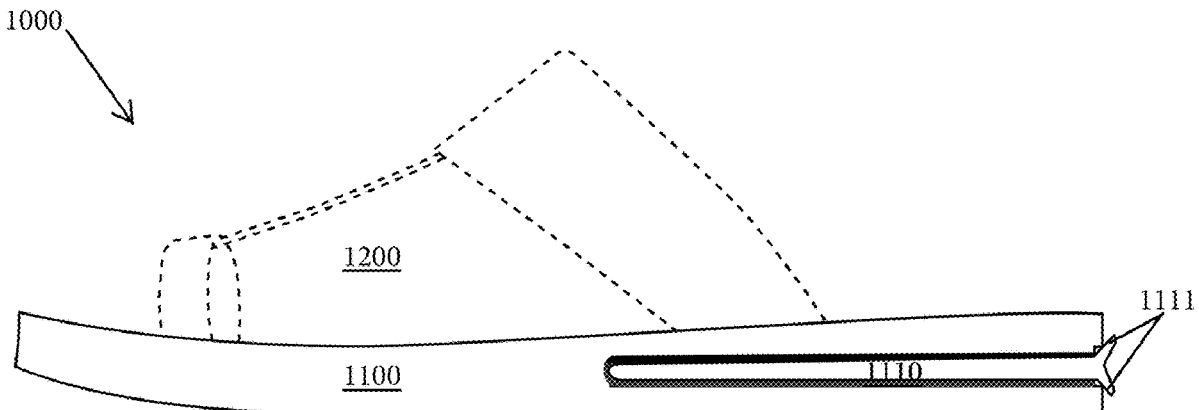
459,616 A 9/1891 Von Rohonczy
736,194 A 8/1903 Bassett
950,862 A 3/1910 Nelson
1,110,362 A 9/1914 Whitaker
1,908,433 A 7/1931 Manville
2,024,729 A * 12/1935 Gustin A43B 3/101 36/108
2,112,761 A 3/1938 Buehner
2,233,544 A 3/1941 McKinley
D132,630 S 6/1942 Pfeiffer
2,390,685 A 12/1945 Benson
D147,308 S 8/1947 Steel
2,491,297 A 12/1949 Brown
2,724,913 A 11/1955 Russel
2,736,110 A * 2/1956 Hardinnon A43B 11/00 36/58.5
2,741,039 A 4/1956 Mathews
3,001,302 A 9/1961 Farley
3,011,281 A * 12/1961 King A43B 3/0078 36/11.5
3,047,967 A 8/1962 Hoyt et al.
3,121,962 A 2/1964 Gullo
3,290,802 A 12/1966 Fukuoka
3,336,683 A 8/1967 Schellkopf
3,978,596 A 9/1976 Brown et al.
4,017,987 A 4/1977 Perez, Jr. et al.
4,026,047 A 5/1977 Ahmer
4,051,610 A 10/1977 Shigeji
D260,047 S 8/1981 Heinz
4,461,288 A 7/1984 Curtis
(Continued)

Primary Examiner — Shaun R Hurley
Assistant Examiner — Bao-Thieu L Nguyen
(74) *Attorney, Agent, or Firm* — Buche & Associates, P.C.; Bryce A. Johnson; John K. Buche

(57) **ABSTRACT**

Disclosed is slip-on footwear with a concealable heel strap that is padded. Suitably, the padding of the padded heel strap is convertible into a pull-tab whenever the heel strap is concealed.

5 Claims, 4 Drawing Sheets



(56)

References Cited

U.S. PATENT DOCUMENTS

4,489,509	A *	12/1984	Libit	A43B 1/0018	7,823,299	B1 *	11/2010	Brigham	A43B 3/105
				36/50.1					36/100
4,530,171	A	7/1985	Zabala		7,854,638	B2	12/2010	Twombly	
4,756,097	A *	7/1988	Sanders	A43B 5/007	D634,105	S	3/2011	Cheshire et al.	
				36/72 B	D635,757	S	4/2011	Ward et al.	
4,813,162	A	3/1989	Harris		7,980,004	B2 *	7/2011	Klavano	A43B 3/122
D305,176	S	12/1989	Campbell						36/11.5
4,920,664	A	5/1990	McGregor et al.		D654,671	S	2/2012	Coleman	
5,090,140	A *	2/1992	Sessa	A43B 11/02	D665,155	S	8/2012	Arnold	
				36/138	D694,995	S	12/2013	Nguyen	
5,205,071	A	4/1993	Hergenroeder		9,675,132	B2 *	6/2017	Marshall	A43B 11/00
5,228,216	A	7/1993	Sargeant		9,820,527	B2 *	11/2017	Pratt	A43B 23/28
D338,320	S	8/1993	Haggar		9,993,045	B2 *	6/2018	Graffeo	A43B 13/122
D374,335	S	10/1996	Grimes		10,159,310	B2 *	12/2018	Sullivan	A43B 23/0245
5,615,496	A	4/1997	Sharpstein		D838,467	S	1/2019	Hughes	
5,651,195	A	7/1997	Clancy		2001/0011430	A1 *	8/2001	Davis	A43B 11/00
6,237,249	B1	5/2001	Aguerre						36/138
D448,146	S	9/2001	Jacobs		2006/0075656	A1 *	4/2006	Januszewski	A43B 3/122
D452,363	S	12/2001	Mansour						36/11.5
D453,987	S	3/2002	Ray		2006/0090374	A1 *	5/2006	Hillyer	A43B 3/103
D465,642	S	11/2002	Petrovski						36/100
D465,906	S	11/2002	Petrovski		2007/0283594	A1 *	12/2007	Sink	A43B 3/122
D495,855	S	9/2004	Comeau						36/11.5
D503,271	S	3/2005	Choi		2008/0155860	A1 *	7/2008	Tai	A43B 1/0018
D508,306	S	8/2005	Armado						36/101
D516,280	S	3/2006	Jarmon Mouchi et al.		2008/0168682	A1	7/2008	Le	
D523,214	S	6/2006	Jarmon Mouchi et al.		2008/0189984	A1 *	8/2008	Januszewski	A43B 3/122
D525,417	S	7/2006	Kelsey						36/100
D529,690	S	10/2006	Choi		2010/0107451	A1 *	5/2010	Kay	A43B 5/14
D556,992	S	12/2007	Choi						36/135
D560,346	S	1/2008	Belley et al.		2011/0016751	A1 *	1/2011	Somerville	A43B 3/122
D562,535	S	2/2008	Giorgio						36/105
7,331,122	B2 *	2/2008	Januszewski	A43B 3/122	2011/0056091	A1	3/2011	Shmurak et al.	
				36/100	2011/0138518	A1 *	6/2011	Bhalla	A41D 19/0044
7,439,837	B2 *	10/2008	McDonald	A43B 3/126					2/160
				36/11.5	2013/0291402	A1 *	11/2013	Bell	A43B 1/0081
D594,220	S	6/2009	McDaniel						36/103
D596,834	S	7/2009	Tatsuno		2017/0055630	A1 *	3/2017	Marshall	A43B 11/00
D619,795	S	7/2010	McBride		2017/0181493	A1 *	6/2017	Graffeo	A43B 13/122
					2018/0289102	A1 *	10/2018	Graffeo	A43B 13/122

* cited by examiner

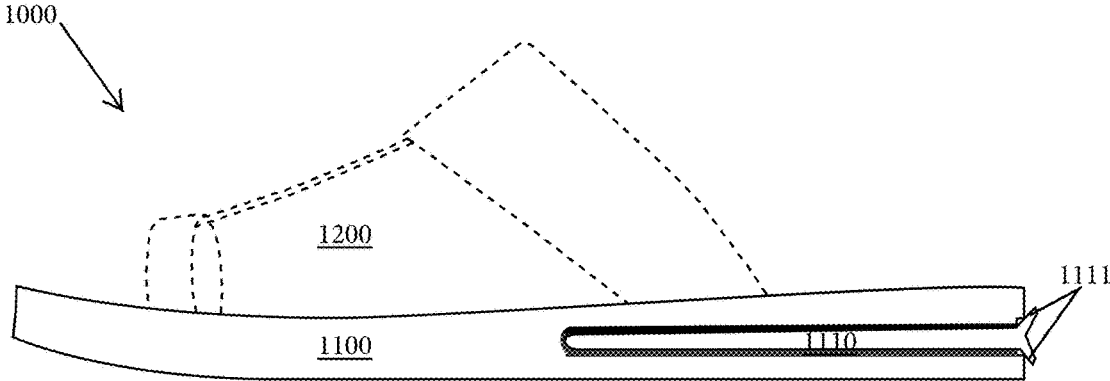


FIG. 1

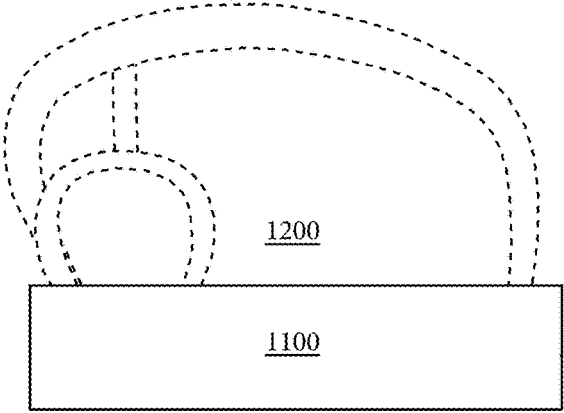


FIG. 2

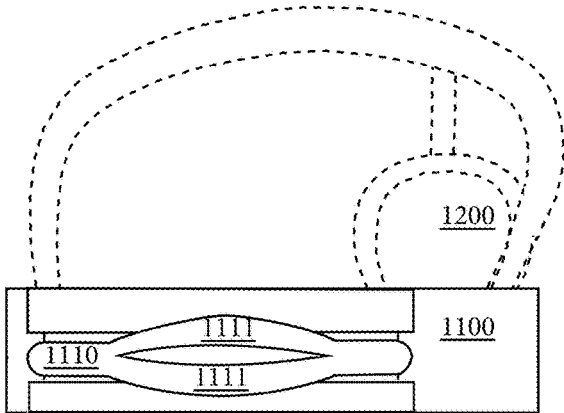


FIG. 3

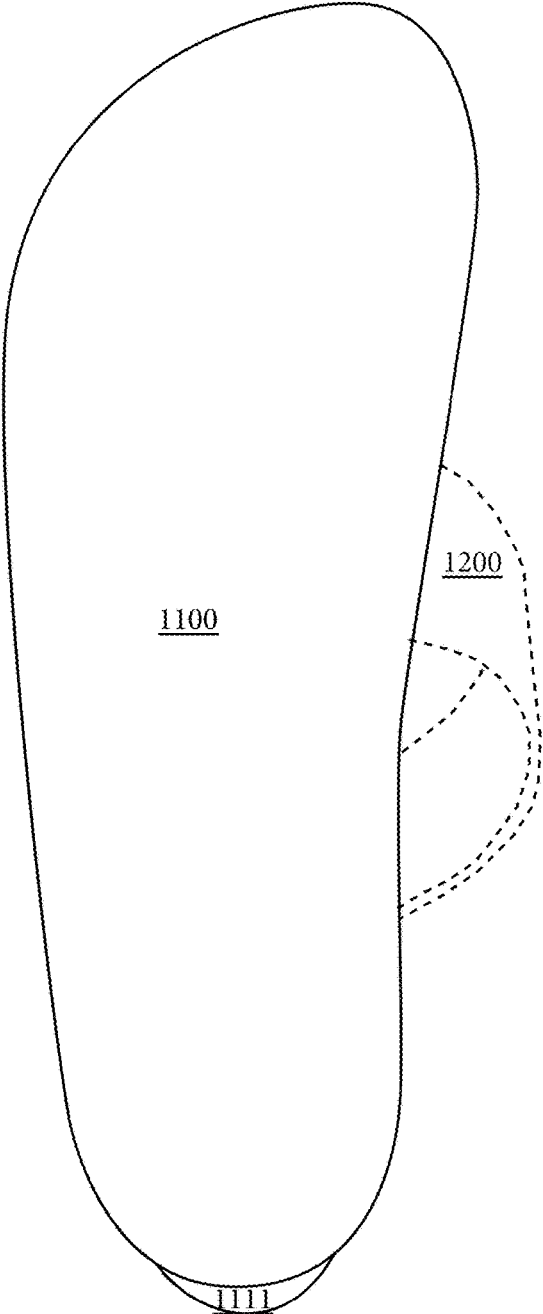


FIG. 4

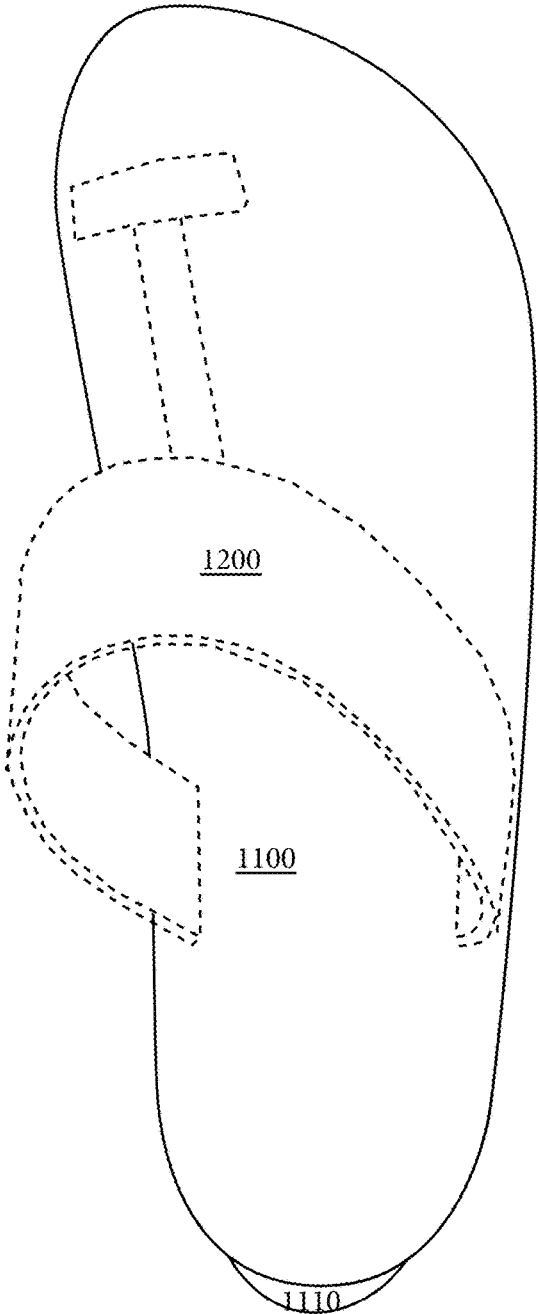


FIG. 5

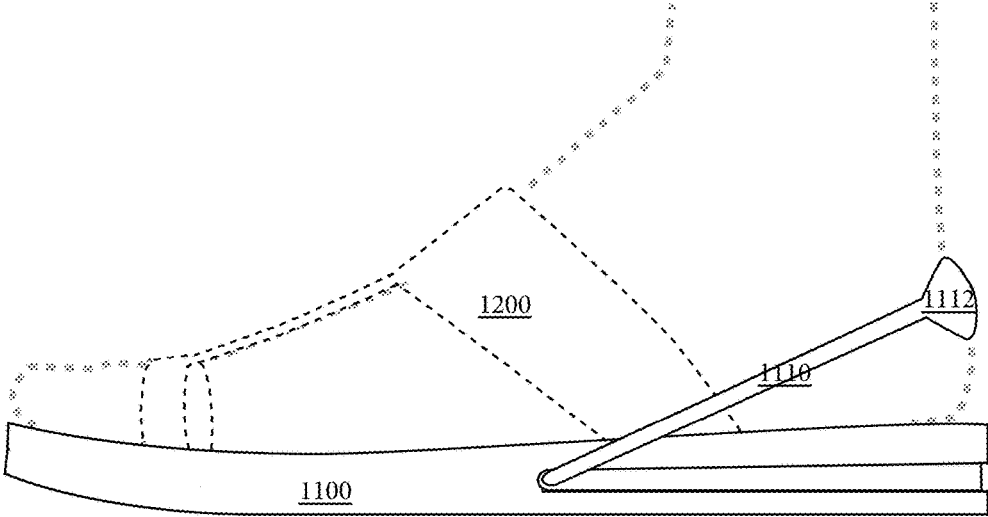


FIG. 6

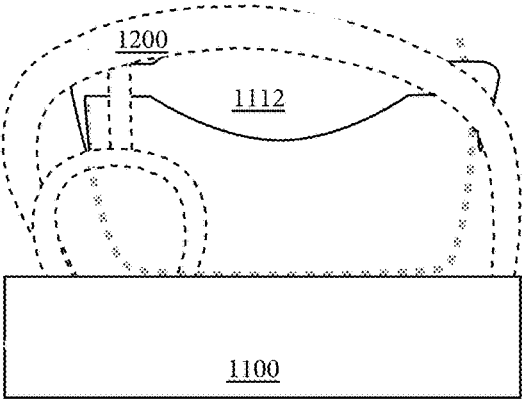


FIG. 7

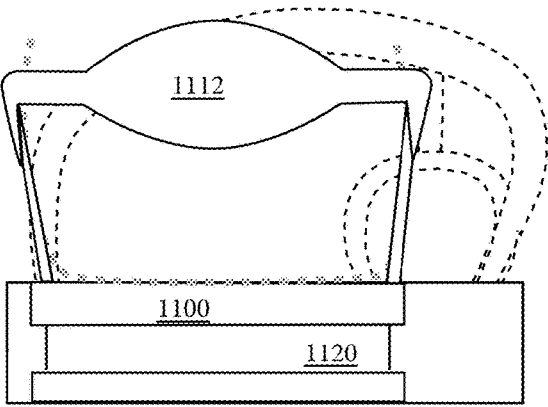


FIG. 8

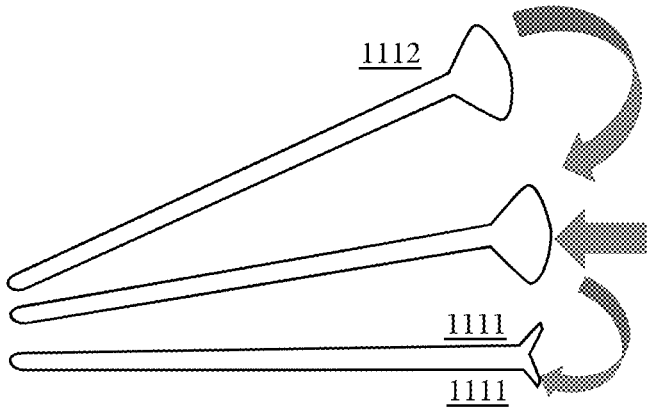
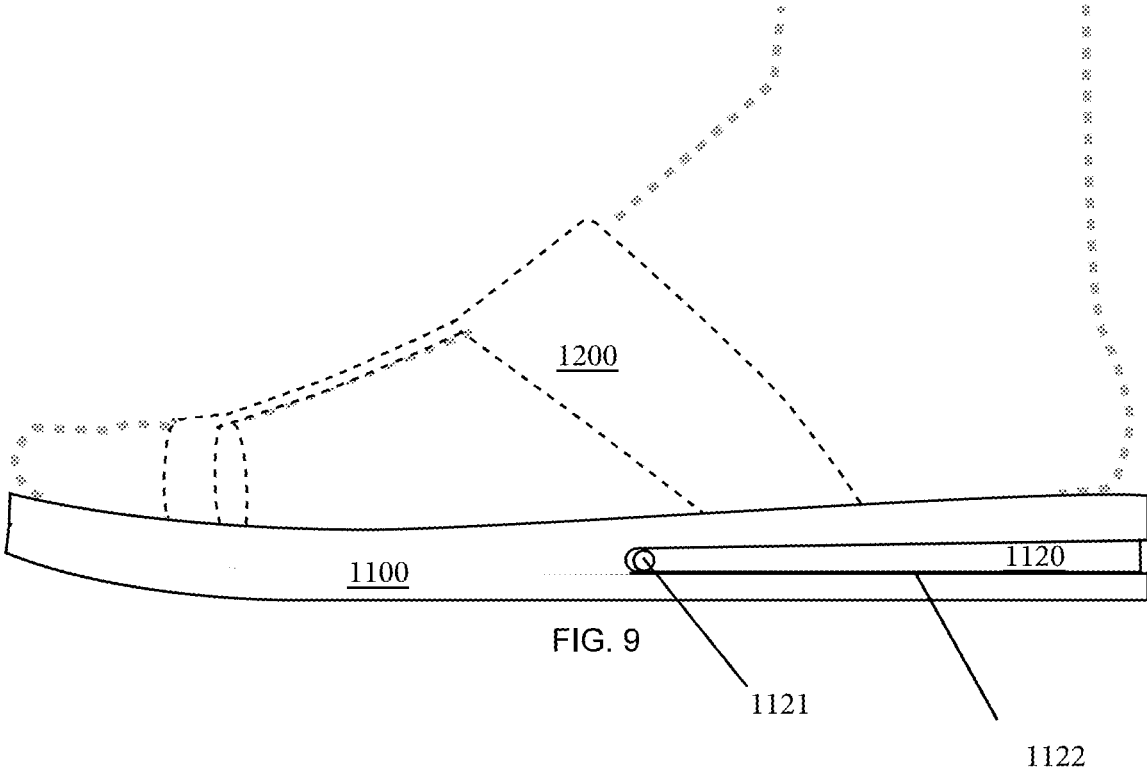


FIG. 10

1

**SANDAL OR SLIP-ON FOOTWEAR WITH
IMPROVED OPTIONAL-USE HEEL STRAP
AND RELATED METHODS**

CROSS-REFERENCE TO RELATED
APPLICATIONS

Not applicable.

STATEMENT REGARDING FEDERALLY
SPONSORED RESEARCH OR DEVELOPMENT

Not applicable.

THE NAMES OF THE PARTIES TO A JOINT
RESEARCH AGREEMENT

Not applicable.

REFERENCE TO AN APPENDIX SUBMITTED
ON A COMPACT DISC AND INCORPORATED
BY REFERENCE OF THE MATERIAL ON THE
COMPACT DISC

Not applicable.

STATEMENT REGARDING PRIOR
DISCLOSURES BY THE INVENTOR OR A
JOINT INVENTOR

Reserved for a later date, if necessary.

BACKGROUND OF THE INVENTION

Field of Invention

The disclosed subject matter is in the field of sandal or slip-on footwear.

Background of the Invention

Slip-on sandals, like flip-flops (e.g., FIG. 1, U.S. Des. Pat. D793,041 (issued Aug. 1, 2017)) or Crocs® (e.g., FIG. 1, U.S. Des. Pat. D535,088 (issued Jan. 16, 2007)), are a stylish and cozy style of footwear. However, slip-on sandals are typically not secured to a user's heel and, as a result, this style of footwear can either make it difficult for a user to make abrupt and complicated footsteps or else easily slip-off during undesirable circumstances. So, some slip-on sandals are provided with an optional-use heel-strap.

One type of optional use heel-strap for slip-on sandals is shown in FIG. 8 of U.S. Des. Pat. D838,467 (issued Jan. 22, 2019). The optional-use heel strap shown in that document is simply stuck to the midsole of a slip-on sandal and provided over a user's heel whenever its utility is desirable. A similar optional-use heel strap that is stuck through a slip-on sandal's upper is shown in FIG. 1 of U.S. D694,994 (issued Dec. 10, 2013). Unfortunately, this type of optional-use heel strap can damage the slip-on sandal and is, therefore, not entirely satisfactory in all situations. This type of strap has other drawbacks too, like, the inability of a user to hide the strap once the strap is placed on the slip-on and the potential for injury if the strap is placed on the slip on in an incorrect manner.

Another type of optional-use heel strap for slip-on sandals (like Crocs®) is shown in FIG. 3 of U.S. D732,808 (issued Jun. 30, 2015). The optional-use heel strap shown in that

2

document is coupled to the upper and placed in a heel position when its utility is desired or else simply rotated out of the way over the sandal's upper when not needed. This type of optional-use heel strap can change the aesthetic appearance of the sandal and is, therefore, not entirely satisfactory in situations where a heel strap is wanted without a corresponding change in the sandal's appearance. Also, this type of heel strap is attached with a metal grommet which can be uncomfortable or rust.

Yet another type of optional-use heel strap for slip-on sandals (like flip flops or Crocs®) is shown in the figures of U.S. Published Pat. App. US2008/0189984 (published Aug. 14, 2008). This type of optional use heel strap is concealed in the sole of a sandal whenever the heel strap is not needed and otherwise exposed when its utility is desirable. A more elaborate version of this type of optional use heel strap is shown in the figures of U.S. Pat. No. 7,823,299 (issued Nov. 2, 2010). This type of optional-use heel strap can be uncomfortable and therefore unsatisfactory in some situations since it is not always possible to conceal a sufficiently padded heel strap in the sole of a slip-on sandal. Also, these types of heel-straps are difficult to reveal once put in a concealed configuration.

SUMMARY OF THE INVENTION

In view of the foregoing, an object of this specification is to disclose slip-on footwear with an improved optional-use heel strap. It is a further objective of this disclosure to provide an optional use heel strap to slip-on footwear without damaging the footwear. It is another objective of this specification to describe footwear with a heel strap that can be used or not used without substantially altering the aesthetic appearance of the footwear. Finally, it is an objective of this disclosure to highlight slip-on footwear with a concealable heel strap that is heavily padded.

In one embodiment, slip-on footwear includes a sole, an upper, and a padded optional-use heel strap concealed within a strap channel disposed around the heel portion of the sole; wherein, the padded portion of the heel strap is folded in half to define a pull-tab that extends from the strap channel of sole for a user to grip the pull-tab to release the strap from the strap channel.

In one mode of use, the slip-on footwear is provided to a foot of a wearer, the pull-tab is pulled to expose the heel-strap, the pull-tab is unfolded to define padding for the strap, and strap is placed over the heel of a wearer with the padding provided to the wearer's heel.

In another mode of use, a wearer of the slip-on footwear pulls the padding of the strap off of the user's heel, folds the padding to define the pull tab, and deposits the heel strap in the strap channel of the sole of the slip-on footwear.

BRIEF DESCRIPTION OF THE SEVERAL
VIEWS OF THE DRAWINGS

Other objectives of the disclosure will become apparent to those skilled in the art once the invention has been shown and described. The manner in which these objectives and other desirable characteristics can be obtained is explained in the following description and attached figures in which:

FIG. 1 is a side view of a sandal;

FIG. 2 is a front view of a sandal;

FIG. 3 is a rear view of the sandal;

FIG. 4 is a bottom view of a sandal;

FIG. 5 is a top view of a sandal;

FIG. 6 is an environmental side view of the sandal in an alternate configuration;

FIG. 7 is an environmental front view of the sandal in the alternate configuration;

FIG. 8 is an environmental rear view of the sandal in the alternate configuration;

FIG. 9 is a side view of a sandal with the optional use heel strap removed; and,

FIG. 10 is a schematic of the optional use heel strap.

In the figures, the following components are associated with the adjacent reference numerals:

1000 slip-on sandal;

1100 sole

1110 optional use strap

1111 pull-tab

1112 heel padding

1120 strap channel

1121 hole

1200 upper

It is to be noted, however, that the appended figures illustrate only typical embodiments of this invention and are therefore not to be considered limiting of its scope, for the invention may admit to other equally effective embodiments that will be appreciated by those reasonably skilled in the relevant arts. Also, figures are not necessarily made to scale but are representative.

DETAILED DESCRIPTION OF PREFERRED EMBODIMENTS

Disclosed is slip-on footwear with a concealable heel strap that is padded. Suitably, the padding of the padded heel strap is convertible into a pull-tab whenever the heel strap is concealed. The other specifics of the disclosed slip-on footwear with a concealable heel strap are described with reference to the drawings.

FIG. 1 is a side view of a sandal 1000. FIG. 2 is a front view of the sandal 1000. FIG. 3 is a rear view of the sandal 1000. FIG. 4 is a bottom view of a sandal. FIG. 5 is a top view of a sandal. As shown in FIGS. 1 through 5, the sandal 1000 is comprises a sole 1100, an upper 1200, and a concealed strap 1110 with two pull-tabs 1111.

Still referring to FIGS. 1 through 5, the sole 1100 is best seen in FIGS. 1, 2, 3 and 4, the upper is best seen in FIGS. 1, 2, 3, and 5, and the heel strap 1110 is best seen in FIGS. 1 and 3. As shown, the sole 1110 is typically shaped like a human foot and defined by foam, rubber, or some combination thereof. As best seen in FIG. 4, the upper 1200 is provided to a top surface of the sole 1100. In the preferred embodiment, the upper is defined by a toe hole and a foot strap, the upper can be any type of slip-on known to those of skill in the art. As discussed below in connection with FIGS. 1 and 3, a heel strap 1110 is concealed in the sole 1100.

FIG. 6 is an environmental side view of the sandal in an alternate configuration where the heel strap 1110 is revealed. FIG. 7 is an environmental front view of the sandal in the alternate configuration. FIG. 8 is an environmental rear view of the sandal in the alternate configuration. As shown in FIGS. 6 through 8, the sandal 1000 in the alternate configuration comprises the sole 1100 with a strap channel, an upper 1200, and a revealed strap 1110 that has padding 1112.

Still referring to FIGS. 9 through 8, the sole 1100 is best seen in FIGS. 1, 2, 3 and 4, the upper is best seen in FIGS. 1, 2, 3, and 5, and the heel strap 1110 is best seen in FIGS. 1 and 3. As shown, the sole 1110 is still typically shaped like a human foot and features a strap channel 1120 disposed

around the periphery of the heel portion of the sole 1100. As shown, a heel strap 1110 is revealed with padding 1112 positioned over a heel of a wearer.

Comparing FIGS. 1 through 5 through FIGS. 6 through 8, the strap 1110 can be concealed in the strap channel 1120 during periods of non-use or else be provided over the heel of a wearer during periods of use. Suitably, pull tab 1111 is accessible at the heel of the sole 1100 so that the strap may be removed from the strap channel 1120. Suitably, the padding 1112 is unfurled from the pull tabs 1111 after the strap 1110 is pulled out of the strap channel 1120. Once unfurled, the padding 1112 may be provided over the heel of a wearer.

FIG. 9 is a side view of a sandal with the optional use heel strap removed. As shown, the sole 1100 may be provided with a hole 1121 so that the strap may be fastened to the slip-on sandal 1000. Suitably, the hole may be provided through the sole 1100 or the sole may be split 1122 and the strap 1110 (not shown in FIG. 10) sandwiched into the strap channel 1120.

FIG. 10 is a schematic of the optional use heel strap 1110. As shown the padding 1112 may be unfurled in an upright position to define a cup-like heel pad. The padding 1112 may be reverse folded (e.g., by somewhat turning the cup-like heel pad inside out) to create at least one pull tab 1111. Suitably, the padding 1112 may feature a bias to a configuration of a heel pad wherein the strap channel defeats the bias to hold the padding in a folded state to expose the pull tabs. See, e.g., FIG. 1. In one embodiment, the strap is made of rubber or other elastomeric materials.

Although the method and apparatus is described above in terms of various exemplary embodiments and implementations, it should be understood that the various features, aspects and functionality described in one or more of the individual embodiments are not limited in their applicability to the particular embodiment with which they are described, but instead might be applied, alone or in various combinations, to one or more of the other embodiments of the disclosed method and apparatus, whether or not such embodiments are described and whether or not such features are presented as being a part of a described embodiment. Thus the breadth and scope of the claimed invention should not be limited by any of the above-described embodiments.

Terms and phrases used in this document, and variations thereof, unless otherwise expressly stated, should be construed as open-ended as opposed to limiting. As examples of the foregoing: the term "including" should be read as meaning "including, without limitation" or the like, the term "example" is used to provide exemplary instances of the item in discussion, not an exhaustive or limiting list thereof, the terms "a" or "an" should be read as meaning "at least one," "one or more," or the like, and adjectives such as "conventional," "traditional," "normal," "standard," "known" and terms of similar meaning should not be construed as limiting the item described to a given time period or to an item available as of a given time, but instead should be read to encompass conventional, traditional, normal, or standard technologies that might be available or known now or at any time in the future. Likewise, where this document refers to technologies that would be apparent or known to one of ordinary skill in the art, such technologies encompass those apparent or known to the skilled artisan now or at any time in the future.

The presence of broadening words and phrases such as "one or more," "at least," "but not limited to" or other like phrases in some instances shall not be read to mean that the narrower case is intended or required in instances where

5

such broadening phrases might be absent. The use of the term "assembly" does not imply that the components or functionality described or claimed as part of the module are all configured in a common package. Indeed, any or all of the various components of a module, whether control logic

or other components, might be combined in a single package or separately maintained and might further be distributed across multiple locations. Additionally, the various embodiments set forth herein are described in terms of exemplary block diagrams, flow charts and other illustrations. As will become apparent to one of ordinary skill in the art after reading this document, the illustrated embodiments and their various alternatives might be implemented without confinement to the illustrated examples. For example, block diagrams and their accompanying description should not be construed as mandating a particular architecture or configuration.

All original claims submitted with this specification are incorporated by reference in their entirety as if fully set forth herein.

PAPER "SEQUENCE LISTING"

Not applicable.

I claim:

1. A method of wearing a slip-on sandal comprising the steps of:

- ensuring that the slip-on sandal comprises:
 - an upper;
 - a sole with a strap channel and a hole;
 - a padded optional use strap that is provided to the strap channel and the hole;
 - wherein the padded optional use strap is outfitted with a heel padding that is disposed in the strap channel;
 - wherein the heel padding is reverse folded into two pull-tabs and the padded optional use strap is disposed through the hole and within the strap channel so that the two pull-tabs are extended from the strap channel;

placing a foot within the upper and above the sole;

6

- gripping the two pull tabs;
- removing the optional use strap and the heel padding from the strap channel by pulling the tab;
- unfolding the heel padding by pulling one of the two pull tabs;
- pivoting the heel padding around the hole via the padded optional use strap so that the heel padding is positioned over a heel;
- placing the heel padding on the heel of the foot so that the heel padding is spaced from the sole;
- gripping the heel padding and pulling the pull heel padding away from the heel of the foot;
- disposing the padded optional use strap and a central portion of the heel padding into the strap channel;
- contacting a top side of the heel padding with an upper edge of the strap channel so that the top side of the heel padding remains reverse folded to create a first pull tab that extends from the strap channel while the top side of the heel padding is in contact with the upper edge of the strap channel
- contacting a bottom side of the heel padding with a lower edge of the strap channel so that the bottom side of the heel padding remains reverse folded to form a second pull tab that extends from the strap channel while the bottom side of the heel padding is in contact with the bottom edge of the strap channel; and,
- removing the foot from the upper and off of the sole.
- 2. The method of claim 1 wherein the sole is shaped like a human foot, the strap channel is defined in the periphery of a heel portion of the sole and the padded optional use strap is secured by partially being strung through the sole.
- 3. The method of claim 2 wherein the upper is defined by a toe hole and a foot strap.
- 4. The method of claim 3 wherein the strap channel holds the heel padding in a reverse fold so that the heel padding is retained within the strap channel while it is inside out.
- 5. The method of claim 4 wherein the optional use strap is made of rubber and outfitted with padding that sits flush to the sole when stored forward or backward in the sole.

* * * * *