



US010125504B1

(12) **United States Patent**
Allen

(10) **Patent No.:** **US 10,125,504 B1**
(45) **Date of Patent:** **Nov. 13, 2018**

(54) **GRIDLOCKED UNFURLABLE PLATFORM AND RELATED METHODS**

(71) Applicant: **Adrian Allen**, El Cajon, CA (US)

(72) Inventor: **Adrian Allen**, El Cajon, CA (US)

(*) Notice: Subject to any disclaimer, the term of this patent is extended or adjusted under 35 U.S.C. 154(b) by 0 days.

(21) Appl. No.: **15/944,683**

(22) Filed: **Apr. 3, 2018**

Related U.S. Application Data

(60) Division of application No. 15/658,263, filed on Jul. 24, 2017, now Pat. No. 9,963,890, which is a continuation-in-part of application No. 29/609,053, filed on Jun. 28, 2017.

(51) **Int. Cl.**

- E04G 5/00** (2006.01)
- E04G 3/00** (2006.01)
- E04G 5/08** (2006.01)
- E04F 15/16** (2006.01)

(52) **U.S. Cl.**

CPC **E04G 5/001** (2013.01); **E04F 15/166** (2013.01); **E04G 3/00** (2013.01); **E04G 5/08** (2013.01)

(58) **Field of Classification Search**

CPC ... E04G 5/001; E04G 3/00; E04G 5/08; E04F 15/166
See application file for complete search history.

(56) **References Cited**

U.S. PATENT DOCUMENTS

- 48,907 A 7/1865 Colby
- 488,371 A 12/1892 Smith
- 945,575 A 1/1910 McPherson

- 2,551,976 A 5/1951 Smith
- 3,611,655 A 10/1971 Loebner
- 3,730,140 A 5/1973 Bowser et al.
- 3,894,370 A 7/1975 Parzader
- 3,913,291 A 10/1975 Dulien et al.
- 4,568,587 A 2/1986 Balzer
- 4,681,482 A 7/1987 Arciszewski et al.
- 4,771,586 A 9/1988 Schmidt
- 5,275,502 A 1/1994 Glaza et al.
- 5,282,692 A 2/1994 McLeod
- 5,947,178 A 9/1999 Patten
- 5,966,777 A 10/1999 Hinge
- 6,968,652 B1 11/2005 Eadie
- 7,090,430 B1 8/2006 Fletcher et al.
- 7,364,383 B2 4/2008 Fletcher et al.
- 7,950,515 B2* 5/2011 Gonzalez Alemany

B66B 23/10
198/327

- 8,161,690 B1 4/2012 Borne et al.
- 8,534,003 B2 9/2013 Curry, III
- 8,595,987 B2 12/2013 Curry, III

(Continued)

OTHER PUBLICATIONS

Portable Rolling/Folding aluminum ramp stage and ladder, www.longmanlight.com, Copyright date of 2015.

Primary Examiner — Rodney Mintz

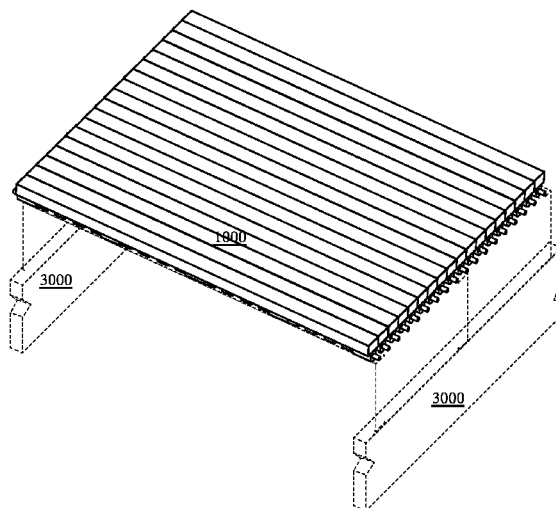
(74) *Attorney, Agent, or Firm* — Buche & Associates, P.C.; John K. Buche; Bryce A. Johnson

(57)

ABSTRACT

Disclosed is a rollable platform that may be unfurled in any orientation over exposed floor or ceiling joists. The platform may be constructed of a specific arrangement of support surface panels and underside joint panels to give the platform both (a) rigidity in a direction that is normal to the support surface via gridlock between the support surface panels and (b) foldability and/or rollability in a direction that is normal to the underside joint panels due to hinged interconnection.

3 Claims, 14 Drawing Sheets



(56)

References Cited

U.S. PATENT DOCUMENTS

8,733,059	B1	5/2014	Hamra	
8,784,002	B2	7/2014	Curry, III	
D731,080	S	6/2015	Poplawski et al.	
9,556,611	B1	1/2017	Huckey et al.	
9,587,407	B2	3/2017	Newman	
9,725,899	B2	8/2017	Huckey et al.	
9,878,579	B2*	1/2018	Rosier	B60B 39/12
9,963,890	B1*	5/2018	Allen	E04G 5/001
2007/0272373	A1	11/2007	Curry, III	
2008/0257646	A1*	10/2008	Gat	E01C 9/008 182/223
2009/0101471	A1*	4/2009	Gonzalez Alemany	B66B 23/10 198/327
2009/0321023	A1	12/2009	Curry, III	
2015/0308124	A1	10/2015	Newman	
2016/0129299	A1	5/2016	Newman	
2017/0121970	A1	5/2017	Huckey et al.	
2017/0136817	A1*	5/2017	Rosier	B60B 39/12
2018/0119435	A1*	5/2018	Jablonski	E04G 7/04

* cited by examiner

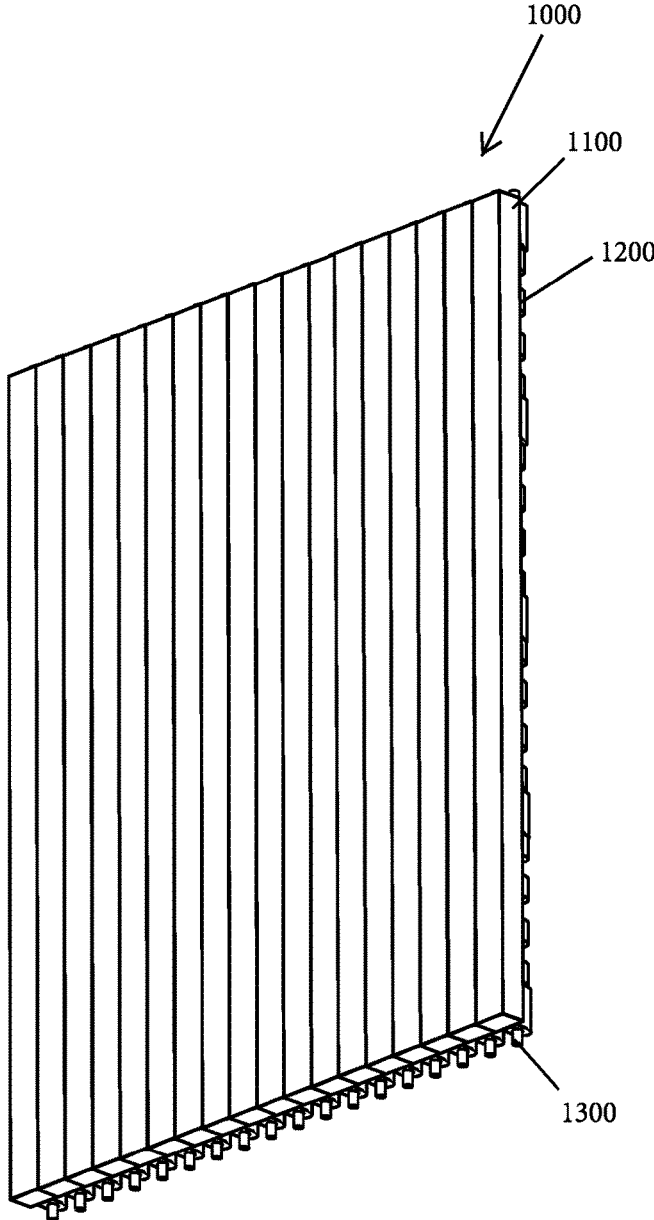


FIG. 1

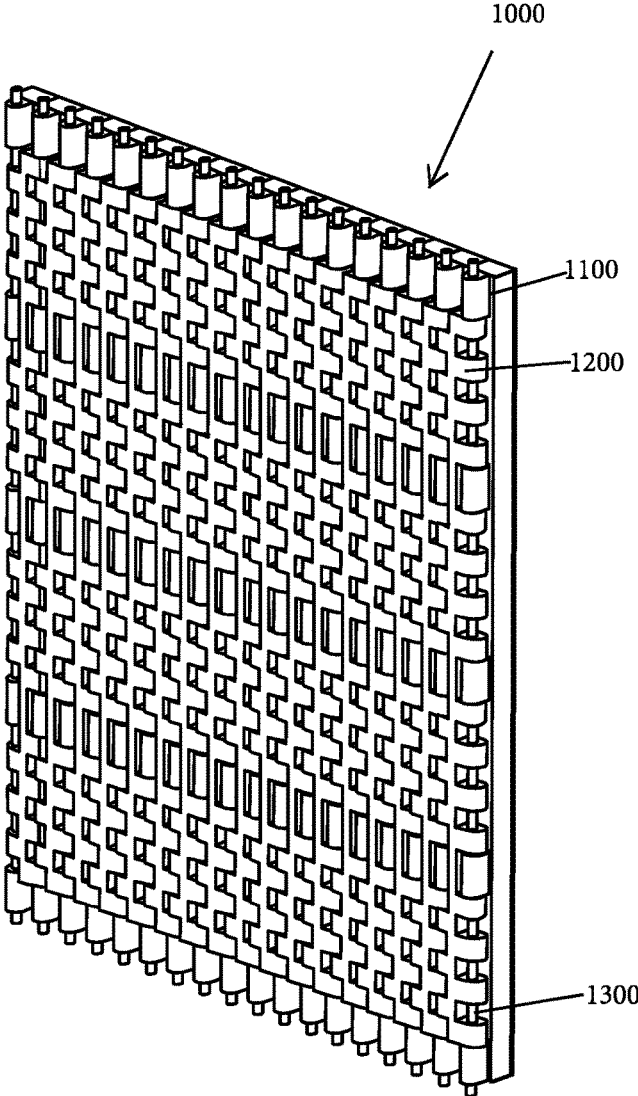


FIG. 2

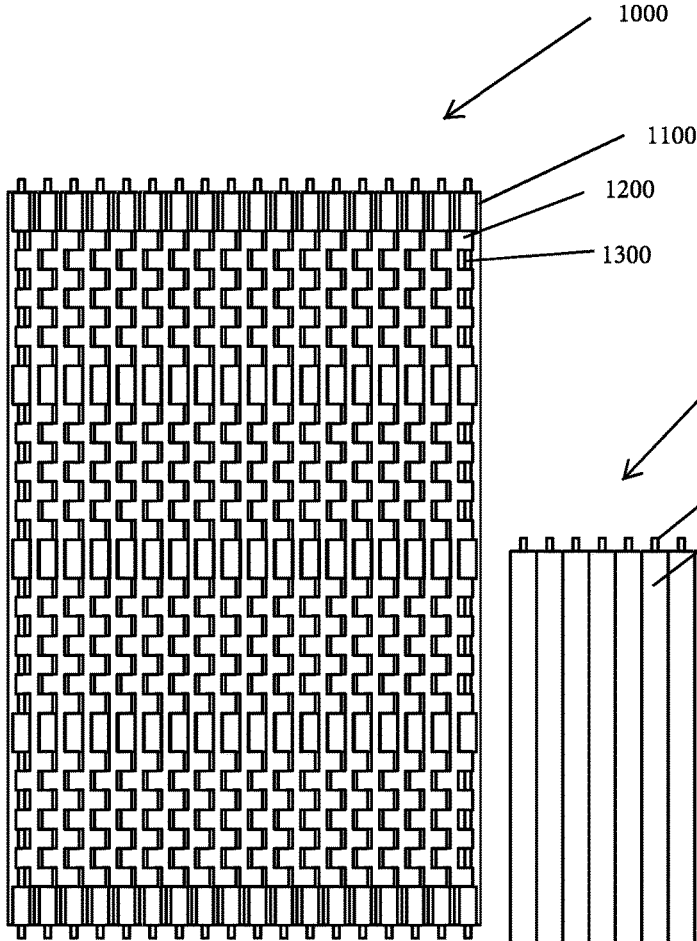


FIG. 3

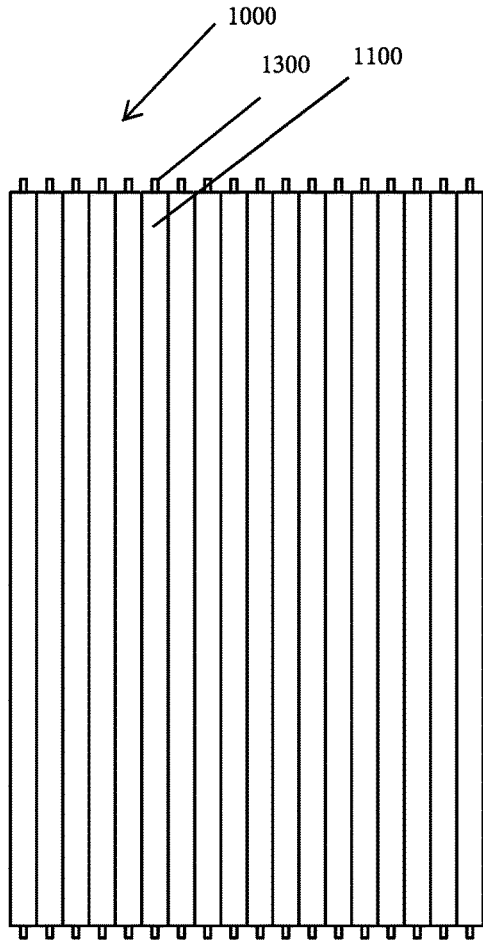


FIG. 4

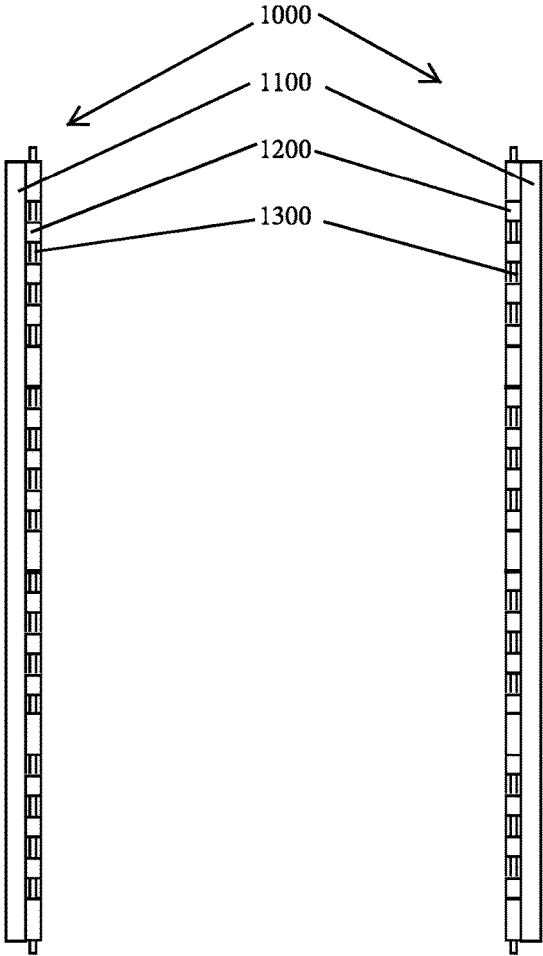


FIG. 5

FIG. 6

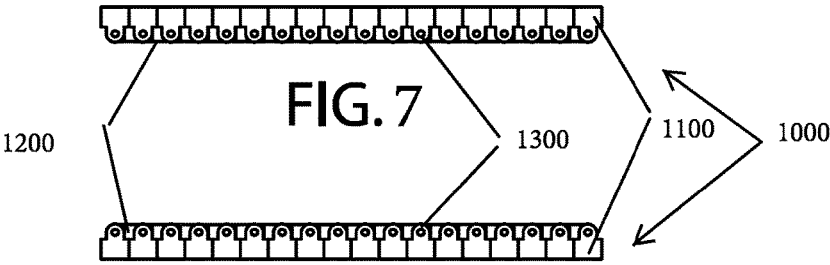


FIG. 8

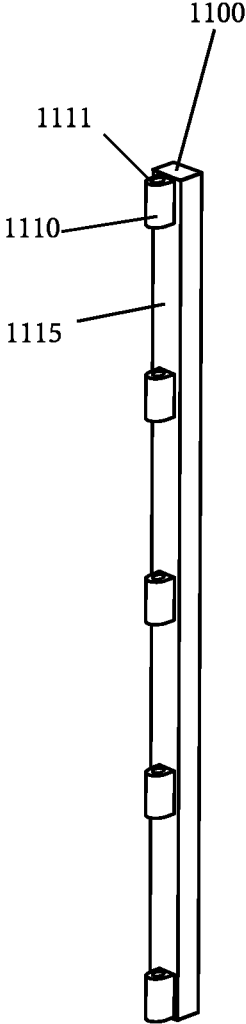


FIG. 9

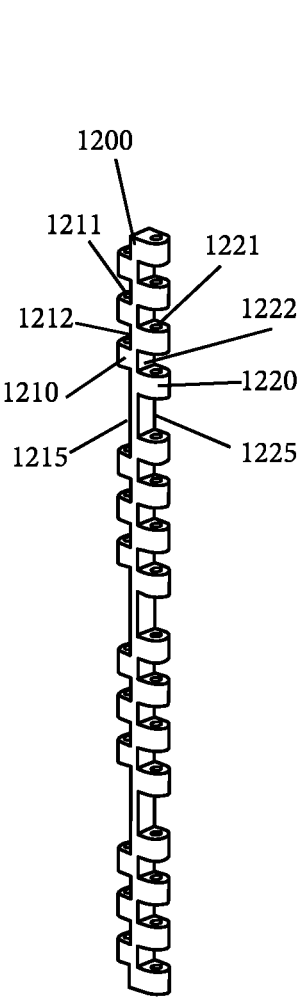


FIG. 10

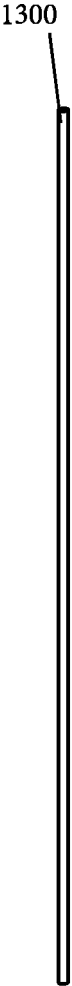
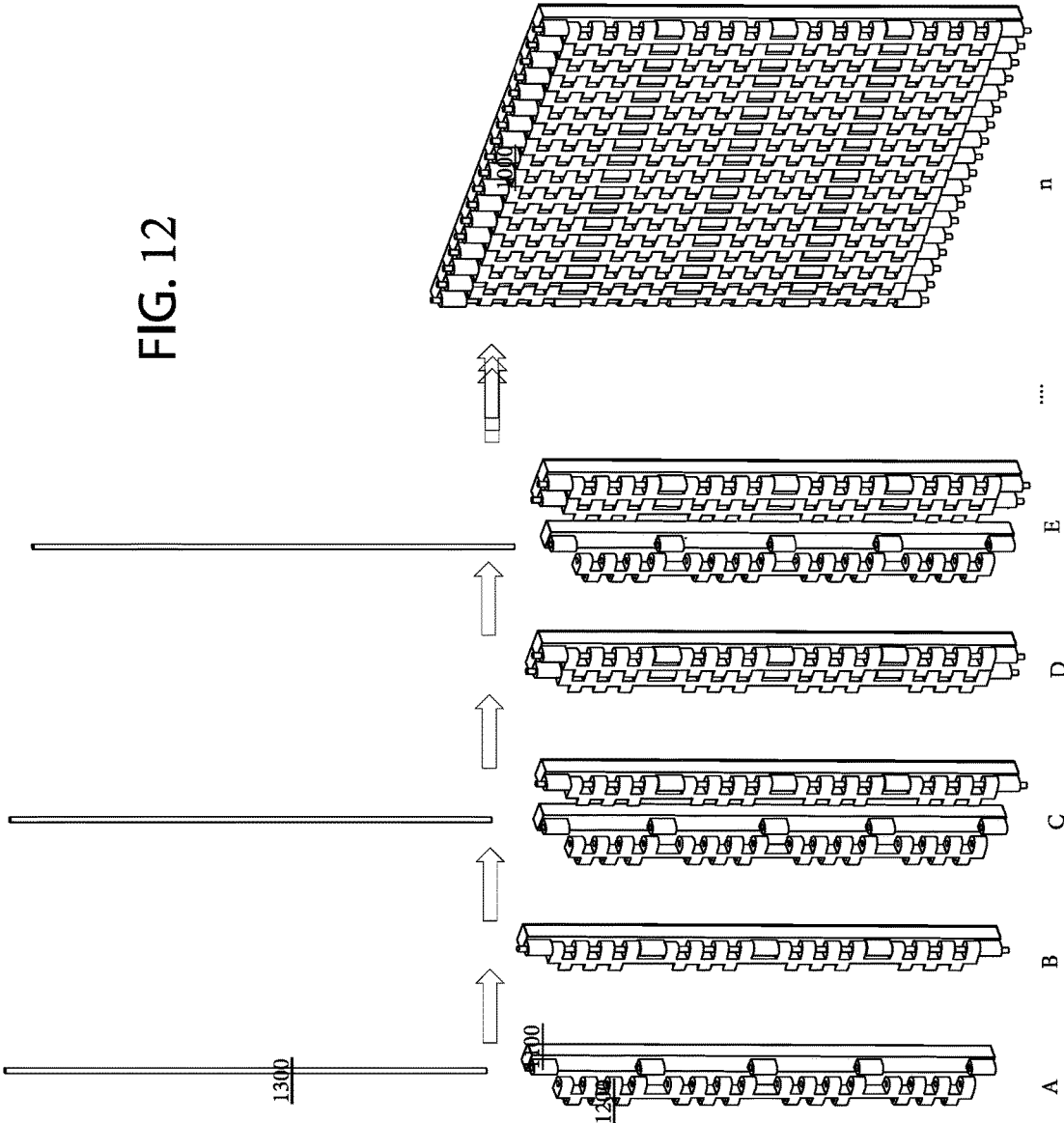


FIG. 11

FIG. 12



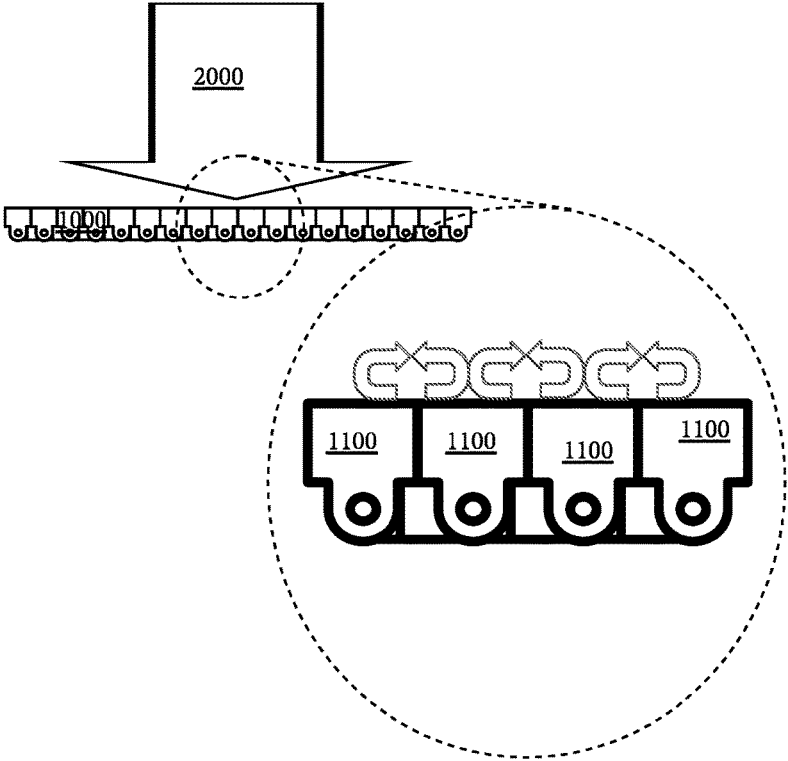


FIG. 13

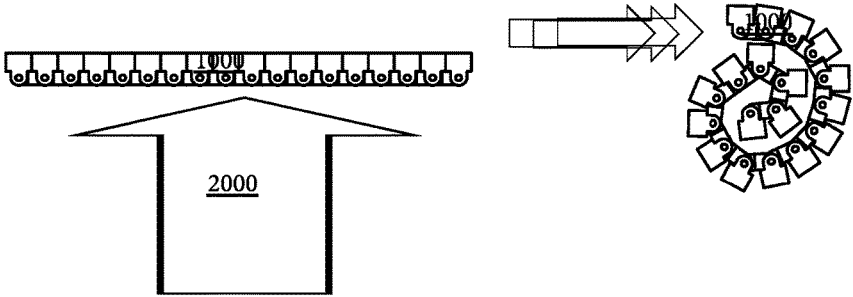


FIG. 14

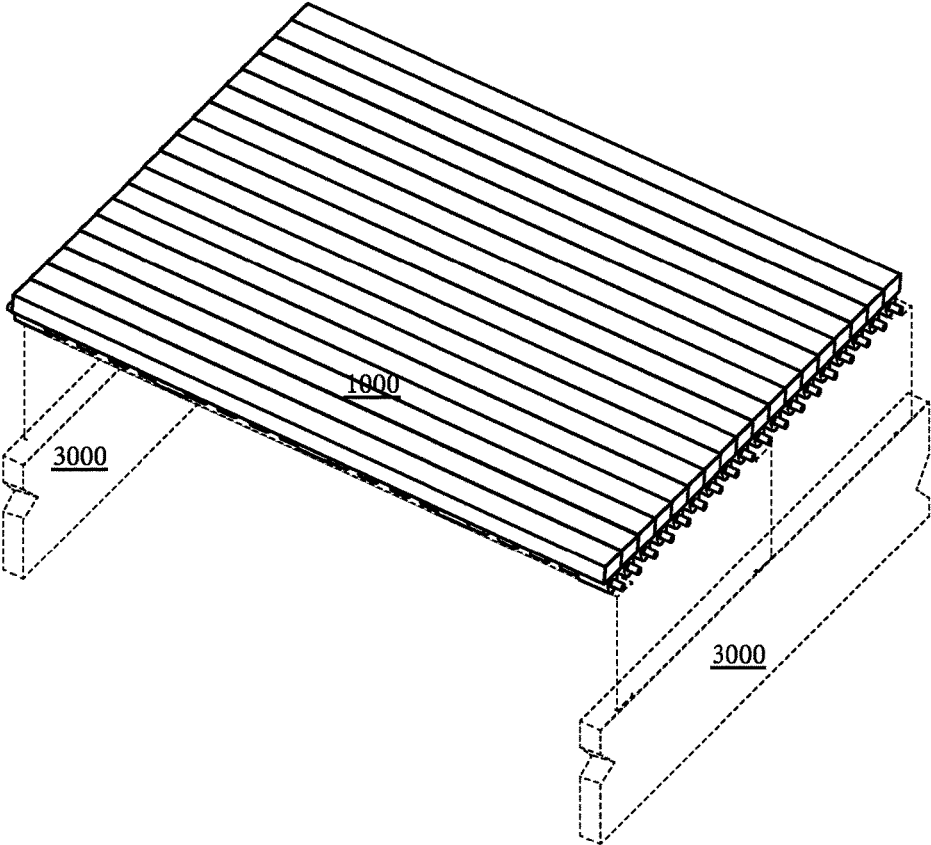


FIG. 15

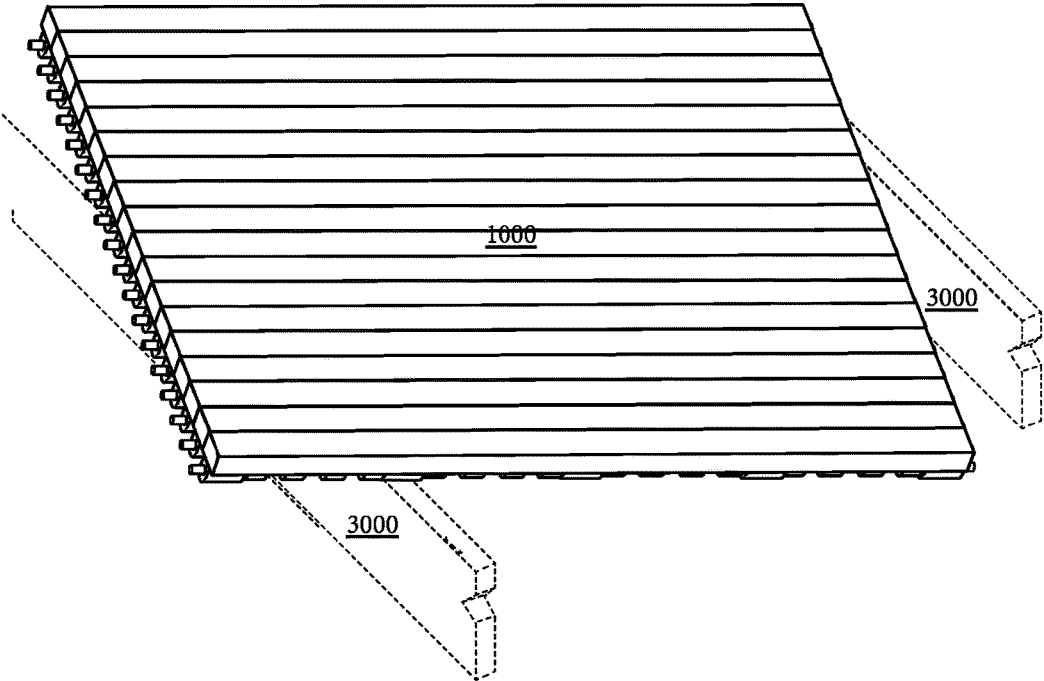


FIG. 16

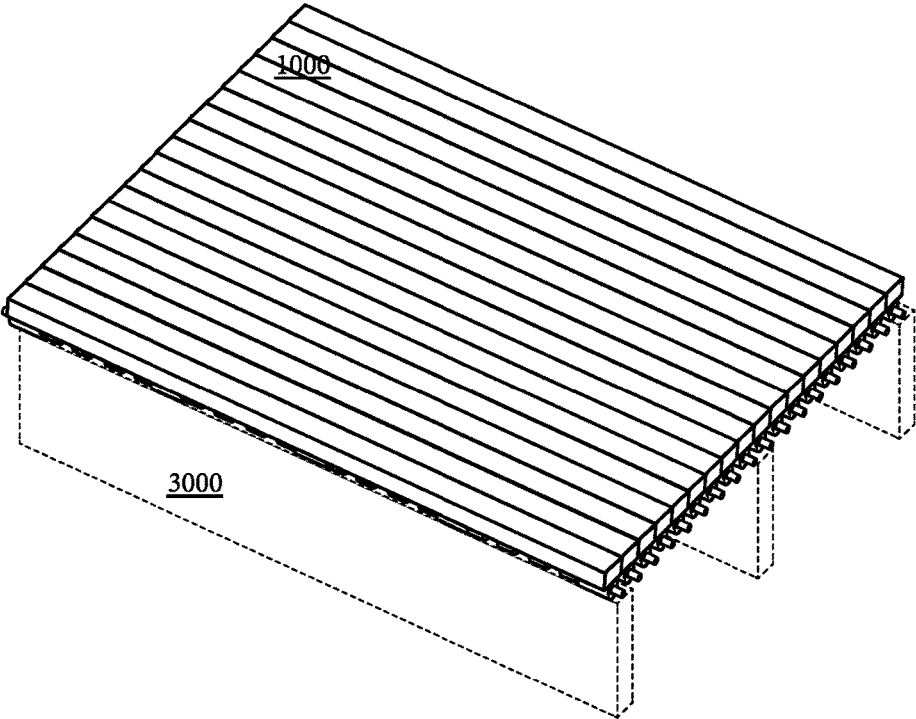


FIG. 17

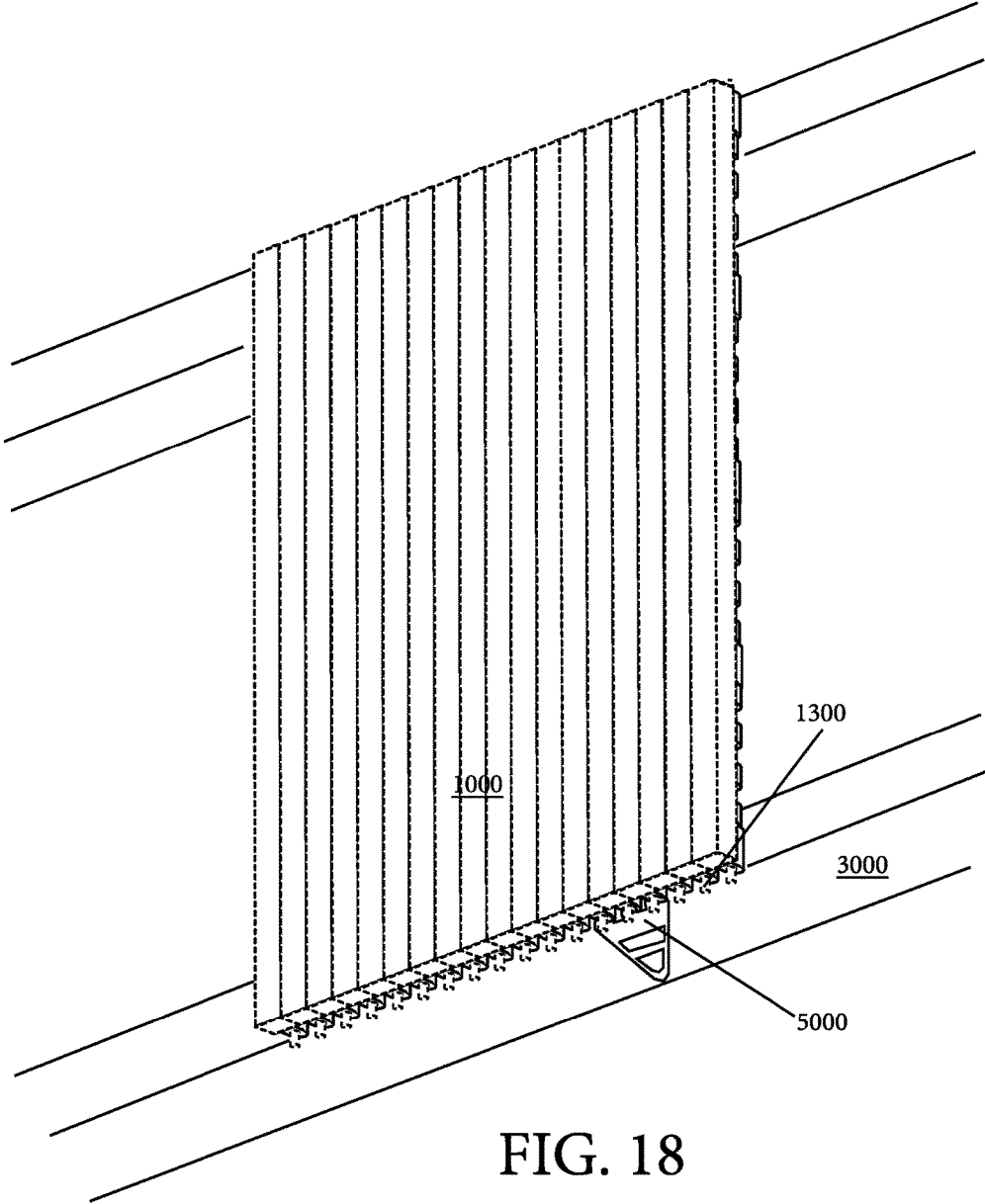
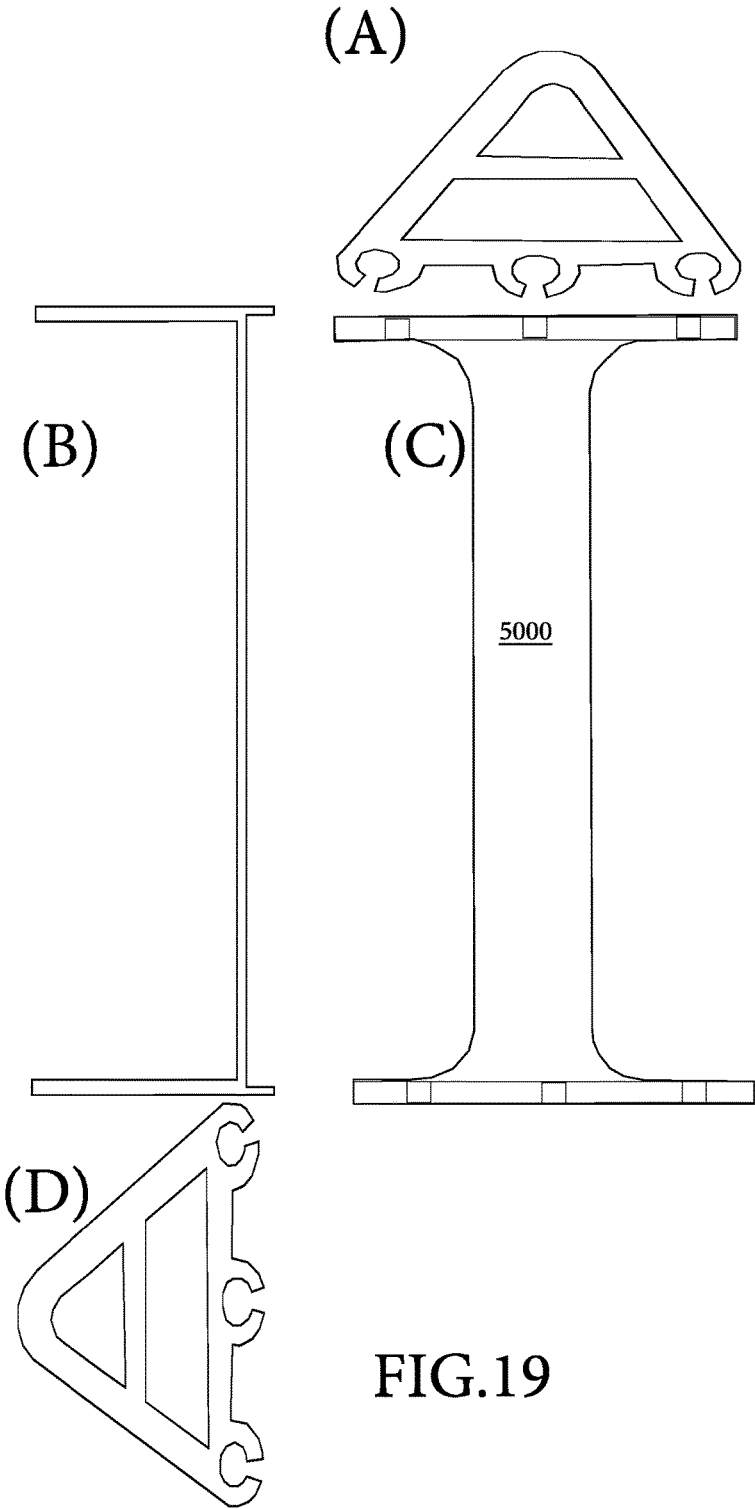


FIG. 18



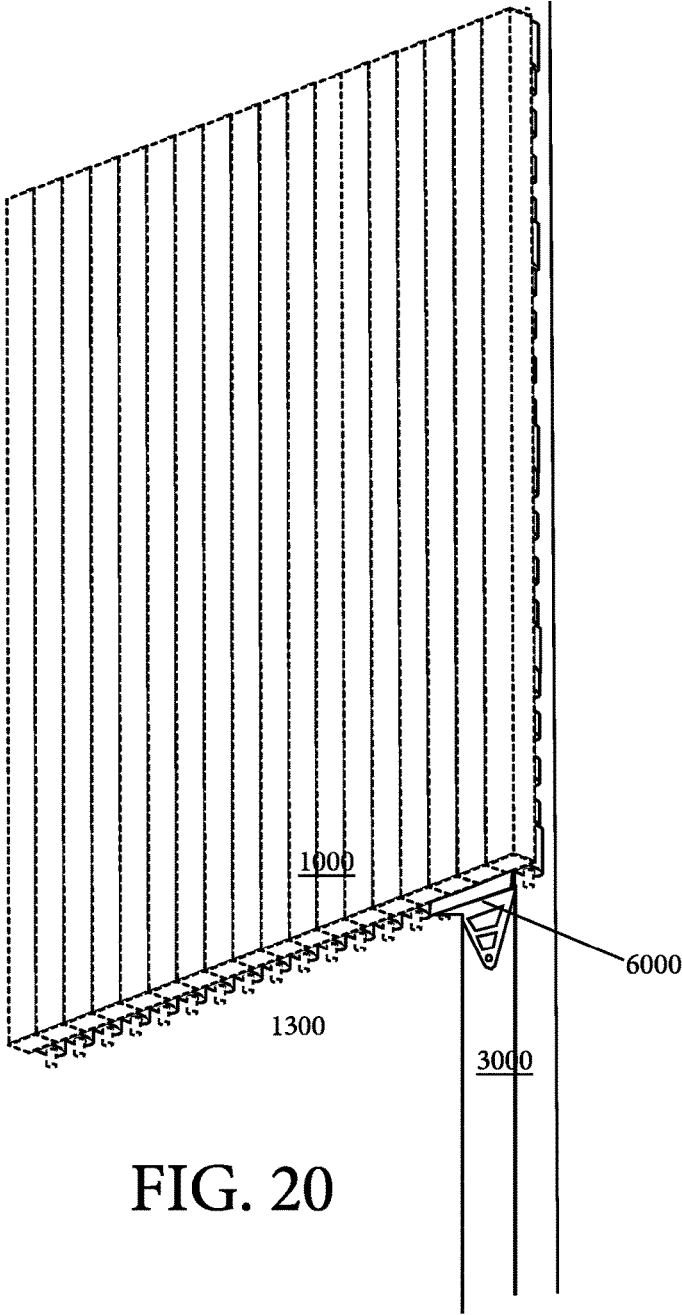


FIG. 20

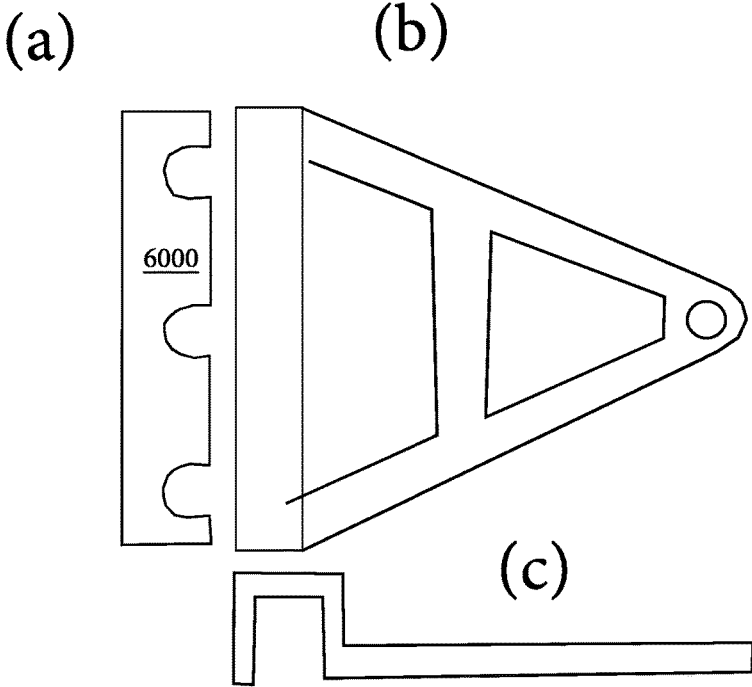


FIG. 21

**GRIDLOCKED UNFURLABLE PLATFORM
AND RELATED METHODS****CROSS-REFERENCE TO RELATED
APPLICATIONS**

This application is a divisional application of U.S. patent Ser. No. 15/658,263 (filed Jul. 24, 2017) for a “Gridlocked unfurlable platform and related methods.”

**STATEMENT REGARDING FEDERALLY
SPONSORED RESEARCH OR DEVELOPMENT**

Not applicable.

**THE NAMES OF THE PARTIES TO A JOINT
RESEARCH AGREEMENT**

Not applicable.

**REFERENCE TO AN APPENDIX SUBMITTED
ON A COMPACT DISC AND INCORPORATED
BY REFERENCE OF THE MATERIAL ON THE
COMPACT DISC**

Not applicable.

**STATEMENT REGARDING PRIOR
DISCLOSURES BY THE INVENTOR OR A
JOINT INVENTOR**

Reserved for a later date, if necessary.

BACKGROUND OF THE INVENTION**Field of Invention**

The disclosed subject matter is in the field of portable platforms that support objects over the space between two support structures, like beams or joists.

Background of the Invention

During construction and maintenance of homes, buildings, or other structures, a worker or other technician may be required to work over and across the spaces between exposed joists or beams. Such exposed beams or joists pose navigational challenges and safety threats to the worker. So, a need exists for platforms or other supports that may be positioned over the space between two beams/joists so that safety threats and navigational challenges can be reduced or eliminated.

Unitary platforms, like the JoistMate® (represented by U.S. Des. Pat. No. D731,080 (issued Jun. 2, 2015) for “Movable platform”) are simple constructs that somewhat meet the above identified need. In use, the unit is positioned to span two adjacent beams and is capable of supporting a worker or tool over the beams. While capable of providing a platform over adjacent beams or joists, unitary platforms have a few drawbacks. For example, the units can be bulky and hard to both (a) transport and (b) maneuver into position, particularly when space is tight in an attic. So, a need still exists for compact, easily-transportable and easily-maneuverable platforms or other supports that may be positioned over the space between two beams/joists so that safety threats and navigational challenges can be reduced or eliminated.

SUMMARY OF THE PRIOR ART

The prior art known to the applicant is as follows:

- U.S. Pat. No. 8,161,690 by Borne et al. (circa 2012) discloses an “interlocking portable rollout attic flooring with overlapping planks.”
- JoistMate™ by William Frick Corp. (circa 2010) discloses a “non-metal work surface, namely, temporary movable floor support platforms for use over beams and floor joists in construction and repair of buildings.”
- U.S. Pat. No. D731,080 by William Frock & Co. (circa 2013) discloses the ornamental appearance of a “movable platform.”
- Residential hinge by Guden Custom Hinges (hinges.com) disclose the basic structure of a hinge, including Monroe hinges.
- U.S. Pat. No. 8,733,059 by Hamra (circa 2014) discloses a “plank assembly for use in an attic.”
- U.S. Pat. No. 9,556,611 by Boing Co. (circa 2017) discloses “methods and apparatus for temporary floor assembly.”
- U.S. Pat. No. 4,771,586 by Schmidt (circa 1988) discloses “grating bar for floor mats.”
- U.S. Pat. No. 3,894,370 by Parazader (circa 1975) discloses “reinforced structures incorporating strip deck material.”
- U.S. Pat. No. 3,730,140 by Bowser et al (circa 1973) discloses a “slat floor assembly.”
- U.S. Pat. No. 2,551,976 by Smith (circa 1945) discloses a “osteopathic bed slat.”
- U.S. Pat. No. 0,945,575 by McPherson (circa 1908) discloses a “mat or tread.”
- U.S. Pat. No. 0,488,371 by Smith (circa 1892) discloses “slatted structure for floor, stairs, &c.”
- U.S. Pat. No. 0,048,907 by Colby (circa 1865) disclose “flooring or dust rack for carpets.”
- U.S. Pat. No. 4,568,587 by Balzer (circa 1986) discloses a “rollup floor mat with rigid rails.”
- U.S. Pat. No. 3,913,291 by Dulien et al. (circa 1975) discloses “flexible metal duckboard flooring.”
- U.S. Pat. No. 6,968,652 by Eadie (circa 2005) discloses “flooring device for positioning on joists.”
- U.S. Pat. No. 4,681,482 by Areiszewski et al. (circa 1987) discloses “rollable temporary roadway and apparatus for rolling up an installed temporary roadway.”
- US20160129299A1 by Newman (circa 2016) discloses “hinged interlocking tiles.”
- U.S. Pat. No. 5,966,777 by Jantschek (circa 1999) discloses a “hinge.”
- “Portable rolling/folding aluminum ramp stage and ladder” by Longman Intl Group, Co. LTD. www.Longmanlight.com.

SUMMARY OF THE INVENTION

In view of the foregoing, an object of this specification is to disclose a rollable platform that may be unfurled in any orientation over exposed floor or ceiling joists. In particular, the platform may be unfurled perpendicular to, oblique to, or parallel to exposed floor or ceiling joists. In a preferred embodiment, the platform is constructed of a specific arrangement of support surface panels and underside joint panels to give the platform both (a) rigidity in a direction that is normal to the support surface via gridlock between the support surface panels and (b) foldability and/or rollability in a direction that is normal to the underside joint panels due to hinged interconnection. Preferably, this duality of rigidity and foldability or rollability enables rolling-up of the platform while at the same time enabling the platform to be unfurled over exposed joists or other spaced supports. In a

preferred embodiment, support surface panels and joint panels are held together by a dowel or rod around which the panels pivot in one pivotal direction around the rod but gridlock in the other pivotal direction around the rod.

BRIEF DESCRIPTION OF THE SEVERAL VIEWS OF THE DRAWINGS

Other objectives of the disclosure will become apparent to those skilled in the art once the invention has been shown and described. The manner in which these objectives and other desirable characteristics can be obtained is explained in the following description and attached figures in which:

FIG. 1 is a top perspective view of the unfurlable gridlocked platform **1000**;

FIG. 2 is bottom perspective view of an unfurlable gridlocked platform **1000**;

FIG. 3 is bottom view of the unfurlable gridlocked platform **1000**;

FIG. 4 is a top view of the unfurlable gridlocked platform **1000**;

FIG. 5 is a front view of the unfurlable gridlocked platform **1000**;

FIG. 6 is a rear view of the unfurlable gridlocked platform **1000**;

FIG. 7 is a left-side view of the unfurlable gridlocked platform **1000**;

FIG. 8 is a right-side view of the unfurlable gridlocked platform **1000**;

FIG. 9 is a perspective view of a support surface panel **1100**;

FIG. 10 is a perspective view of an underside joint panel **1200**;

FIG. 11 is a perspective view of a hinge pin **1300**;

FIG. 12 is a flow chart for constructing the unfurlable gridlocked platform **1000** via assembling a plurality of support surface panels **1100**, underside joint panels **1200**, and hinge pins **1300**.

FIG. 13 is an environmental view of the unfurlable gridlocked platform **1000** that illustrates the gridlock of the support surface panels **1100**;

FIG. 14 is an environmental view of the unfurlable gridlocked platform **1000** that illustrates a rolled-up configuration;

FIG. 15 is an environmental view of the unfurlable gridlocked platform **1000** that is unfurled in a parallel orientation relative to exposed joists **3000**;

FIG. 16 is an environmental view of the unfurlable gridlocked platform **1000** that is unfurled in an oblique orientation relative to exposed joists **3000**;

FIG. 17 is an environmental view of the unfurlable gridlocked platform **1000** that is unfurled in a perpendicular orientation relative to exposed joists **3000**;

FIG. 18 is an environmental view of a position locking device **5000** for the unfurlable gridlocked platform;

FIG. 19 is a layout of several views of the device **5000** of FIG. 18;

FIG. 20 is an environmental view of a position locking device **6000** for the unfurlable gridlocked platform; and,

FIG. 21 is a layout of several views of the device **5000** of FIG. 20.

In the figures the following components are represented by the associated reference numeral:

Platform—**1000**;

Support surface panel—**1100**;

Surface barrel—**1110**;

Surface barrel shaft—**1111**;

Surface barrel space **1115**;

Underside joint panel—**1200**

Barrel side—**1201**;

Knuckle side—**1202**;

Joint barrel—**1210**;

Joint barrel shaft—**1211**;

Joint barrel gap—**1212**;

Joint barrel space—**1215**;

Joint knuckle; **1220**;

Joint knuckle shaft—**1221**;

Joint knuckle space—**1225**;

Hinge pin—**1300**;

Normal force—**2000**; and,

Exposed joists or beams—**3000**.

It is to be noted, however, that the appended figures illustrate only typical embodiments of this invention and are therefore not to be considered limiting of its scope, for the invention may admit to other equally effective embodiments that will be appreciated by those reasonably skilled in the relevant arts. Also, figures are not necessarily made to scale but are representative.

DETAILED DESCRIPTION OF PREFERRED EMBODIMENTS

Disclosed is a rollable platform that may be unfurled in any orientation over exposed floor or ceiling joists. In particular, the platform may be unfurled perpendicular to, oblique to, or parallel to exposed floor or ceiling joists. In a preferred embodiment, the platform is constructed of a specific arrangement of support surface panels and underside joint panels to give the platform both (a) rigidity in a direction that is normal to the support surface via gridlock between the support surface panels and (b) foldability and/or rollability in a direction that is normal to the underside joint panels due to hinged interconnection. Preferably, this duality of rigidity and foldability or rollability enables rolling-up of the platform while at the same time enabling the platform to be unfurled over exposed joists or other spaced supports. In a preferred embodiment, support surface panels and joint panels are held together by a dowel or rod around which the panels pivot in one pivotal direction around the rod but gridlock in the other pivotal direction around the rod. The more specific aspects of the disclosed platform are described in connection with the figures.

FIG. 1 is a top perspective view of the unfurlable gridlocked platform **1000**. FIG. 2 is bottom perspective view of an unfurlable gridlocked platform **1000**. FIGS. 3 through 8 are respectively a bottom view, a top view, a front view, a rear view, left-side view, and, a right-side view of the unfurlable gridlocked platform **1000**. As shown, the platform is preferably square or rectangular in form. In a preferred embodiment, the dimensions of the platform are 54.00±0.050 inches in length, 18.50±0.50 inches in width, 0.75±0.050 inches in thickness. The preferred embodiment of the platform **1000** is suitably dimensioned to span between two exposed floor or ceiling joists. The load bearing surface of the platform **1000** is preferably defined by a plurality of support surface panels **1100**. The downside surface of the platform **1000** is suitably defined by a plurality of underside joint panels **1200**. In one embodiment, the joint and surface panels are pivotally coupled via a hinge pin **1300**.

FIG. 9 is a perspective view of a support surface panel **1100**. As shown, the support surface panel **1100** is defined by an elongated slat or plank and comprises a blank side and an underside with a plurality of surface barrels **1110** separated

5

by a surface barrel spaces **1115**. In a preferred embodiment the plank of the support surface panel **1110** is 18.50 ± 0.50 inches in length, $\frac{5}{8} \pm \frac{1}{8}$ inches in width, and $\frac{3}{8} \pm \frac{1}{8}$ inches in thickness. Suitably, the surface barrels **1110** define a semi-circular arch with a radius of $\frac{3}{16} \pm \frac{1}{8}$ inches, a thickness of $\frac{3}{8} \pm \frac{1}{8}$ inches, a length of $\frac{3}{4} \pm \frac{1}{8}$ inches, and a width of $\frac{3}{8} \pm \frac{1}{8}$ inches. Suitably, the surface barrel spaces **1115** are 3.75 ± 0.50 inches between adjacent barrels **1110**. In one embodiment, the surface barrels **1110** feature a surface barrel shaft **1111** for, as discussed in greater detail below, accepting hinge pin **1300** (not shown in FIG. 9). As such, the shaft **1111** should be dimensioned to pivotally accept the hinge pin **1300** (not shown in FIG. 9). In a preferred embodiment, the support surface panel is constructed of plastic and is three-dimensionally printed. However, the panel could be constructed of any material (like woods, plastics, or metals) and can be constructed by any technique or processes (like injection molding, carving, cutting casting, and the like) known to those of skill in the art.

FIG. 10 is a perspective view of an underside joint panel **1200**. As shown, the underside joint panel **1200** is defined by an elongated slat or plank and comprises a barrel side **1201** and a knuckle side **1202**. The barrel side **1201** is defined by a plurality of joint barrels **1210** separated by either joint barrel gaps **1212** or joint barrel spaces **1215**. The knuckle side **1202** is defined by a plurality of joint knuckles **1220** separated by either joint knuckle gaps **1222** or joint knuckle spaces **1225**. In a preferred embodiment the plank of the underside joint panel **1210** is 17.50 ± 0.50 inches in length, $\frac{1}{4} \pm \frac{1}{8}$ inches in width, and $\frac{3}{8} \pm \frac{1}{8}$ inches in thickness. Suitably, the joint barrels **1210** and knuckles define a semi-circular arch with a radius of $\frac{3}{16} \pm \frac{1}{8}$ inches, a thickness of $\frac{3}{8} \pm \frac{1}{8}$ inches, a length of $\frac{1}{2} \pm \frac{1}{8}$ inches, and a width of $\frac{3}{8} \pm \frac{1}{8}$ inches. Suitably, the joint barrel gaps **1212** are $\frac{1}{2} \pm \frac{1}{8}$ inches between adjacent barrels **1210** and joint barrel spaces **1215** are $2.0 \pm \frac{1}{8}$ inches between adjacent barrels **1210**. Suitably, the joint knuckle gaps **1222** are $\frac{1}{2} \pm \frac{1}{8}$ inches between adjacent knuckles **1220** and joint knuckle spaces **1225** are $1.0 \pm \frac{1}{8}$ inches between adjacent knuckles **1220**. In one embodiment, the joint barrels **1210** and joint knuckles **1220** feature respectively a joint barrel shaft **1211** and a joint knuckle shaft **1221** for, as discussed in greater detail below, accepting hinge pin **1300** (not shown in FIG. 10). As such, the shafts **1211**, **1221** should be dimensioned to pivotally accept the hinge pin **1300** (not shown in FIG. 10). In a preferred embodiment, the support surface panel **1000** is constructed of plastic and is three-dimensionally printed. However, the panel could be constructed of any material (like woods, plastics, or metals) and can be constructed by any technique or process (like injection molding, carving, cutting casting, and the like) known to those of skill in the art.

The pattern of knuckles **1220** and barrels **1210** of the joint panel is noteworthy. In a preferred embodiment, the panels **1200** are configured on one side with sets of three barrels **1210** wherein each barrel **1210** in a set of three barrels **1210** is separated by a barrel gap **1212** and each set of three barrels **1210** is separated by a joint barrel space **1215**. In the depicted embodiment, the panels are configured on one side with sets of five knuckles **1220**, wherein each knuckle **1220** in each set of five knuckles **1220** are separated by a knuckle gap **1222** and each set of five knuckles **1220** are separated by a knuckle space **1225**. Other patterns may be used without departing from the spirit and intent of this specification.

FIG. 11 is a perspective view of a hinge pin **1300**. As shown, the hinge pin **1300** is an elongated cylinder. In a

6

preferred embodiment, the hinge pin **1300** is rigid and configured to be strung through the shafts **1111**, **1211**, **1221** of the support surface panel **1100** and the underside joint panel **1200**. In a preferred embodiment, the hinge pin **1300** is constructed of plastic and is three-dimensionally printed. However, the pin **1300** could be constructed of any material (like woods, plastics, or metals) and can be constructed by any technique or process (like injection molding, carving, cutting casting, and the like) known to those of skill in the art. In a preferred embodiment, the hinge pin **1300** is $\frac{3}{16}$ inches in diameter and 19.00 inches long.

FIG. 12 is a flow chart for constructing the unfurlable gridlocked platform **1000** via assembling a plurality of support surface panels **1100**, underside joint panels **1200**, and hinge pins **1300**. The flow chart shows a left to right progression of assembling the platform **1000** using a support surface panel **1100**, an underside joint panel **1200**, and a hinge pin **1300**. The columns are ordered alphabetically between column A, the first column, and column n, where "n" signifies that the flow for constructing a panel **1000** can continue for any number of steps after those shown in the figure.

Starting on the left in column A, a support surface panel **1100** may be positioned so that the barrels **1110** are projected. Next, an underside joint panel **1200** may be positioned over the support surface panel **1000** so that the barrels **1000** are provided into corresponding joint knuckle spaces **1225** in a way that aligns the joint knuckle shafts **1221** with the barrel shafts **1111**. Third, a hinge pin **1300** may be provided through the shafts **1221**, **1111** to create an assembly of a support surface panel **1100**, an underside joint panel **1200**, and a hinge pin **1300** shown in column B.

Moving to column C, another set of components (including surface panel **1100**, underside joint panel **1200**, and hinge pin **1300**) is setup next to the assembly shown in column B. Specifically, the joint surface panel **1200** from the assembly of column B is first positioned so that its joint barrels **1210** are projected. Next, the new joint panel **1200** is set alongside the joint surface panel of the assembly of column B so that the joint barrels **1210** of the assembly of column B are interlocked with the joint knuckles **1220** of the new joint panel **1200** (e.g., so that each joint barrels **1210** of the assembly of column B are provided to the joint knuckle gaps **1222** of the new joint panel **1200** and the joint knuckles of the new joint panel **1200** are provided to the joint barrel gaps **1212** of the assembly of column B). Third, the new support surface panel **1100** is positioned so that its barrels **1110** are positioned both (a) in the joint knuckle space **1225** of the new joint panel **1200** and (b) in the joint barrel space **1215** of the assembly of column B. Finally, the new hinge pin **1300** may be provided through the shafts **1221**, **1111** of the new joint panel **1200** and surface panel **1100** and the shaft **1211** of the assembly of column B to create an assembly of a support surface panels **1100**, an underside joint panels **1200**, and a hinge pins **1300** shown in column D.

Moving to column E, yet another set of components (including surface panel **1100**, underside joint panel **1200**, and hinge pin **1300**) may be setup next to the assembly shown in column D. Specifically, the joint surface panel **1200** from the assembly of column D is first positioned so that its joint barrels **1210** are projected. Next, the new joint panel **1200** is set alongside the joint surface panel of the assembly of column B so that the joint barrels **1210** of the assembly of column D are interlocked with the joint knuckles **1220** of the new joint panel **1200** (e.g., so that each joint barrels **1210** of the assembly of column D are provided to

the joint knuckle gaps **1222** of the new joint panel **1200** and the joint knuckles of the new joint panel **1200** are provided to the joint barrel gaps **1212** of the assembly of column D). Third, the new support surface panel **1100** is positioned so that its barrels **1110** are positioned both (a) in the joint knuckle space **1225** of the new joint panel **1200** and (b) in the joint barrel space **1215** of the assembly of column D). Finally, the new hinge pin **1300** may be provided through the shafts **1221**, **1111** of the new joint panel **1200** and surface panel **1100** and the shaft **1211** of the assembly of column D to create yet an assembly of a support surface panels **1100**, an underside joint panels **1200**, and a hinge pins **1300** (not shown). The process may be repeated “n” number of times until a platform **1000** shown in column n is constructed. It should be noted that, even though the platform **1000** shown in column n is of constructed a definite number of panels **1200**, **1100**, a platform may be constructed of any number of panels **1200**, **1100** without departing from the spirit and intent of this specification.

FIG. **13** is an environmental view of the unfurlable gridlocked platform **1000** that illustrates the gridlock of the support surface panels **1100**. As shown, the platform **1000** is unfurled so that the sides of each of the interstitial surface panels **1100** of the platform abut the sides of any adjacent surface panels **1100**. As shown in the figure, when a normal force **2000** is applied to the support surface of the platform **1000** the surface panels **1100** gridlock as illustrated by the arrows shown in the zoom-in view of FIG. **13**. Although the force is depicted as a normal force, it should be understood that any force applied to the surface that has a normal component will be substantially supported by gridlocked panels **1100** up to the point of material failure of the panels **1100**, **1200**. Accordingly, the panels **1100**, **1200** should be constructed of materials (plastics, metals, woods, etc) that can withstand forces inherent to supporting human body weights plus technician tools. In a preferred embodiment, the platform should be capable of supporting 100 lbs to 500 lbs or more without material failure.

FIG. **14** is another environmental view of the unfurlable gridlocked platform **1000** that illustrates a rolled-up configuration. FIG. **14** illustrates a flow of a platform **1000** from an unfurled position to a rolled-up configuration. As shown in the figure, when a normal force **2000** is applied to the underside joint surface of the platform **1000** the joint panels **1200** rotate or pivot around the respective hinge pins **1300**. More specifically, adjacent joint panels **1200** rotate around a coupling hinge pin **1300** so that the platform may be rolled. Although the force is depicted as a normal force, it should be understood that any force applied to the surface that has a normal component will substantially result in a rolled platform **1200** as can be readily ascertained by one of skill in the art after reading this specification.

FIG. **14** is another environmental view of the unfurlable gridlocked platform **1000** that illustrates a rolled-up configuration. FIG. **14** illustrates a flow of a platform **1000** from an unfurled position to a rolled-up configuration. As shown in the figure, when a normal force **2000** is applied to the underside joint surface of the platform **1000** the joint panels **1200** rotate or pivot around the respective hinge pins **1300**. More specifically, adjacent joint panels **1200** rotate around a coupling hinge pin **1300** so that the platform may be rolled. Although the force is depicted as a normal force, it should be understood that any force applied to the surface that has a normal component will substantially result in a rolled platform **1200** as can be readily ascertained by one of skill in the art after reading this specification.

FIG. **14**, in reverse, illustrates a flow of a platform **1000** from a rolled-up configuration position to an unfurled position. Typically, the platform **1000** may be unrolled and setup by placing the rolled-up platform **1000**, surface panel **11000** side down, and unrolling the platform **1000**. As can be apparent, the underside joint panel **1200** of the platform **1000** will be facing upward after unfurling and, as a result, the platform will need to be flipped over (support surface panel **11000** side up) before the platform **1000** is set in place. In an alternative embodiment, not shown, the panels may feature a ripcord that can be strung through the support surface panels **1100** so that the ripcord may be pulled to unfurl the platform **1000**.

FIG. **15** is an environmental view of the unfurlable gridlocked platform **1000** that is unfurled in a parallel orientation relative to exposed joists **3000**. FIG. **17** is an environmental view of the unfurlable gridlocked platform **1000** that is unfurled in an oblique orientation relative to exposed joists **3000**. FIG. **18** is an environmental view of the unfurlable gridlocked platform **1000** that is unfurled in a perpendicular orientation relative to exposed joists **3000**. The views in these figures are comparable and illustrate the versatility in operation of the platform **1000**. More specifically, the platform may be unfurled (as described above and shown in the figures) to span any two support structures, surface panel **1100** side up, and in any orientation provide a platform **10000**.

FIG. **18** is an environmental view of a position locking device **5000** for the unfurlable gridlocked platform **1000** that has been unfurled parallel with a joist **3000**. FIG. **19** is a layout of several views of the device **5000** of FIG. **18**. In a preferred embodiment, the position locking device is configured to interlock with three hinge pins **1300** of the platform **1000** and then interact with the joists **3000** to hold the platform in place. In a preferred embodiment, the device **5000** may include one or more apertures so that a nail or screw may be provided through the device **5000** and joist to further lock the platform **1000** in place.

FIG. **20** is an environmental view of a position locking device **6000** for the unfurlable gridlocked platform **1000** that has been unfurled perpendicular with a joist **3000**. FIG. **21** is a layout of several views of the device **6000** of FIG. **20**. In a preferred embodiment, the position locking device is configured to interlock with three hinge pins **1300** of the platform **1000** and then interact with the joists **3000** to hold the platform in place. In a preferred embodiment, the device **5000** may include one or more apertures so that a nail or screw may be provided through the device **5000** and joist to further lock the platform **1000** in place.

Although the method and apparatus is described above in terms of various exemplary embodiments and implementations, it should be understood that the various features, aspects and functionality described in one or more of the individual embodiments are not limited in their applicability to the particular embodiment with which they are described, but instead might be applied, alone or in various combinations, to one or more of the other embodiments of the disclosed method and apparatus, whether or not such embodiments are described and whether or not such features are presented as being a part of a described embodiment. Thus the breadth and scope of the claimed invention should not be limited by any of the above-described embodiments.

Terms and phrases used in this document, and variations thereof, unless otherwise expressly stated, should be construed as open-ended as opposed to limiting. As examples of the foregoing: the term “including” should be read as meaning “including, without limitation” or the like, the term

“example” is used to provide exemplary instances of the item in discussion, not an exhaustive or limiting list thereof, the terms “a” or “an” should be read as meaning “at least one,” “one or more,” or the like, and adjectives such as “conventional,” “traditional,” “normal,” “standard,” “known” and terms of similar meaning should not be construed as limiting the item described to a given time period or to an item available as of a given time, but instead should be read to encompass conventional, traditional, normal, or standard technologies that might be available or known now or at any time in the future. Likewise, where this document refers to technologies that would be apparent or known to one of ordinary skill in the art, such technologies encompass those apparent or known to the skilled artisan now or at any time in the future.

The presence of broadening words and phrases such as “one or more,” “at least,” “but not limited to” or other like phrases in some instances shall not be read to mean that the narrower case is intended or required in instances where such broadening phrases might be absent. The use of the term “assembly” does not imply that the components or functionality described or claimed as part of the module are all configured in a common package. Indeed, any or all of the various components of a module, whether control logic or other components, might be combined in a single package or separately maintained and might further be distributed across multiple locations.

Additionally, the various embodiments set forth herein are described in terms of exemplary block diagrams, flow charts and other illustrations. As will become apparent to one of ordinary skill in the art after reading this document, the illustrated embodiments and their various alternatives might be implemented without confinement to the illustrated examples. For example, block diagrams and their accompanying description should not be construed as mandating a particular architecture or configuration.

All original claims submitted with this specification are incorporated by reference in their entirety as if fully set forth herein.

The invention claimed is:

1. A gridlocking unfurlable platform comprising:
 - at least first and second support surface panels, each said support surface panel having a surface barrel;
 - at least first and second underside joint panels, each said joint panel having both a joint barrel and a joint knuckle;
 - at least first and second hinge pins, where the first hinge pin is strung through the barrel of the first support surface panel and the joint knuckle of the first joint panel and where the second hinge pin is strung through the barrel of the second support surface panel, the joint knuckle of the second joint panel and the joint barrel of the first joint panel;
 wherein the at least first and second support surface panels define a structural support surface that gridlocks;

wherein the at least first and second joint panels define a joint surface that furls; and
 wherein, in an unfurled configuration, the platform is configured to span a space located between two underlying support structures.

2. A kit for constructing the unfurlable platform of claim 1, said kit comprising:
 - (a) at least two said underside joint panels, each said underside joint panel comprising:
 - at least two sets of three barrels wherein each barrel in a set of three barrels is separated by a barrel gap and each set of three barrels is separated by a joint barrel space;
 - at least two sets of five knuckles, wherein each knuckle in each set of five knuckles are separated by a knuckle gap and each set of five knuckles are separated by a knuckle space;
 - (b) at least two said support surface panels, each said support surface panel having said surface barrel; and,
 - (c) at least two said hinge pins, where the first hinge pin is configured to be strung through the barrel of the first support surface panel and the joint knuckle of the first joint panel and where the second hinge pin is configured to be strung through the barrel of the second support surface panel, the joint knuckle of the second joint panel and the joint barrel of the first joint panel.
3. A method of constructing the unfurlable platform of claim 1, said method comprising the steps of:
 - (a) obtaining at least two said underside joint panels, where each said underside joint panel comprises:
 - at least two sets of three barrels wherein each barrel in a set of three barrels is separated by a barrel gap and each set of three barrels is separated by a joint barrel space;
 - at least two sets of five knuckles, wherein each knuckle in each set of five knuckles are separated by a knuckle gap and each set of five knuckles are separated by a knuckle space;
 - (b) obtaining at least two said support surface panels, where each said support surface panel has said surface barrel;
 - (c) obtaining at least two said hinge pins;
 - (d) stringing the first hinge pin through the barrel of the first support surface panel and the joint knuckle of the first joint panel;
 - (e) stringing the second hinge pin through the barrel of the second support surface panel, the joint knuckle of the second joint panel and the joint barrel of the first joint panel;
 - (f) wherein the at least two support surface panels define the structural support surface that gridlocks; and
 - (g) wherein the at least two joint panels define the joint surface that furls.

* * * * *