



US00D896327S

(12) **United States Design Patent**
Hudson

(10) **Patent No.:** **US D896,327 S**

(45) **Date of Patent:** **** Sep. 15, 2020**

(54) **HANDLEBAR GRIP**
(71) Applicants: **Nathaneal Williams Adams**, La Jolla, CA (US); **Bryce Hudson**, San Diego, CA (US)
(72) Inventor: **Bryce Hudson**, Murrieta, CA (US)
(**) Term: **15 Years**

5,975,015 A 11/1999 Runyon et al.
7,044,020 B2 5/2006 Rosenthal
D556,535 S * 12/2007 Aglassinger D8/107
8,113,087 B2 2/2012 Arnold
9,370,685 B2 * 6/2016 Watry A63B 69/0093
10,286,251 B2 * 5/2019 Watry A63B 21/4035
D857,132 S * 8/2019 Dube D21/694
2011/0130257 A1 * 6/2011 Hartman A63B 15/00
482/139
2014/0116196 A1 5/2014 Rogers
2019/0375479 A1 * 12/2019 Hudson B62K 21/26

(21) Appl. No.: **29/650,363**

(22) Filed: **Jun. 6, 2018**

(51) **LOC (12) Cl.** **21-02**

(52) **U.S. Cl.**
USPC **D21/694**; D8/303

(58) **Field of Classification Search**
USPC ... 482/106, 108, 49, 110, 126, 121, 51, 127, 482/93, 10, 46, 125, 82, 141, 139; D30/160, 151; D21/682, 662, 692, 456, D21/684, 457, 691, 686, 679, 694, 753, D21/672, 681, 775; D11/3, 13, 6, 93; 24/598.2; 446/28; D8/303, 107; D24/211, 190, 200; D22/147; D19/174, D19/184, 906, 905, 917; D12/115, 178
CPC A63B 21/0728; A63B 21/075; A63B 21/00065; A63B 21/0726; A63B 21/0724; A63B 21/072
See application file for complete search history.

(56) **References Cited**
U.S. PATENT DOCUMENTS

3,995,650 A 12/1976 DiVito
D335,437 S * 5/1993 Wilson D8/303
5,797,165 A * 8/1998 Armbrust A63B 23/16
16/422

FOREIGN PATENT DOCUMENTS

DE 202016001959 3/2016

* cited by examiner

Primary Examiner — Ryan Harvey
(74) *Attorney, Agent, or Firm* — Buche & Associates, P.C.; John K. Buche; Bryce A. Johnson

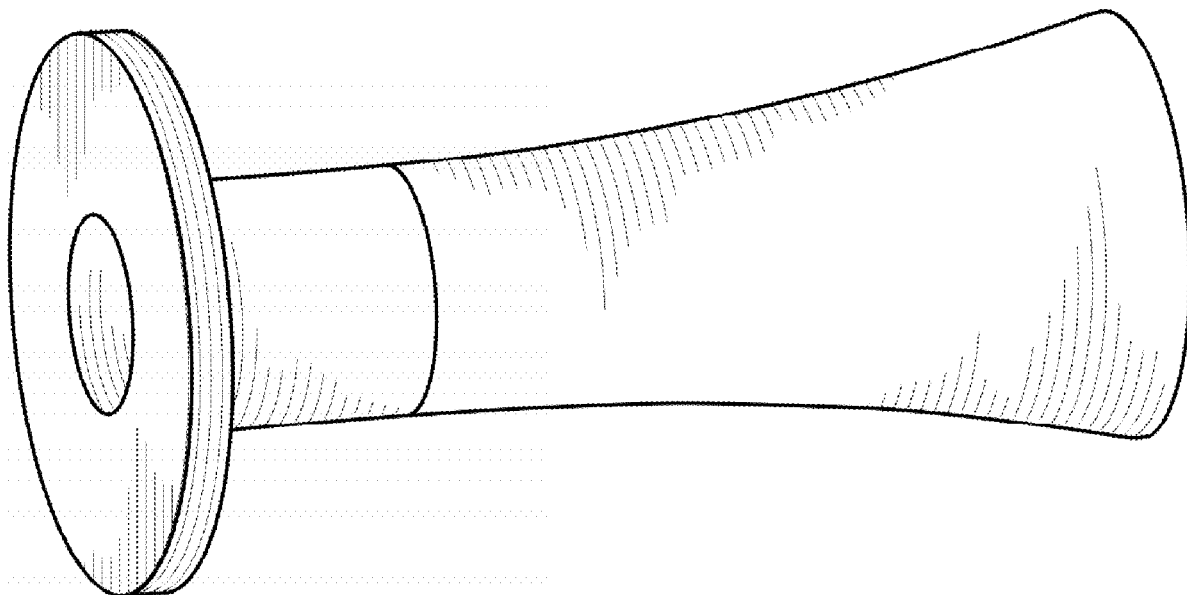
(57) **CLAIM**

I claim the ornamental design for a handlebar grip, as shown and described.

DESCRIPTION

FIG. 1. is a perspective view of the handlebar grip; and, FIG. 2. is an left side view of the handlebar grip; FIG. 3. is an right side view of the handlebar grip; FIG. 4. is an front view of the handlebar grip; FIG. 5. is a back view of the handlebar grip; and, FIG. 6. is an environmental view of the handlebar grip. Broken lines illustrate environmental features and form no part of the claimed design.

1 Claim, 3 Drawing Sheets



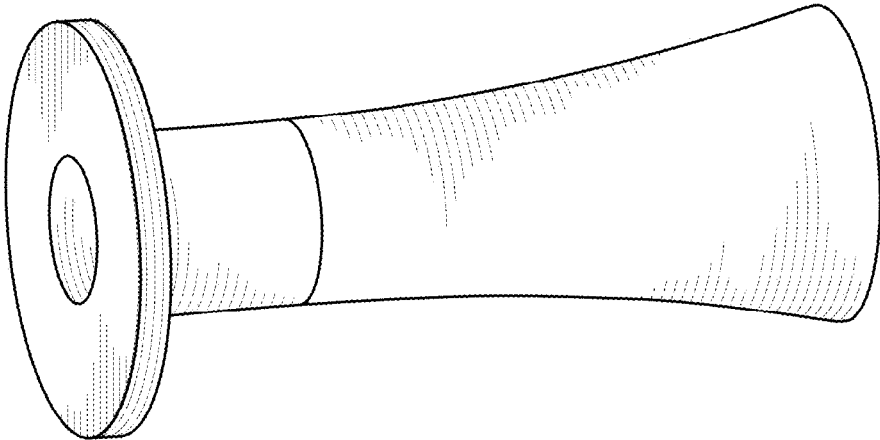


FIG. 1

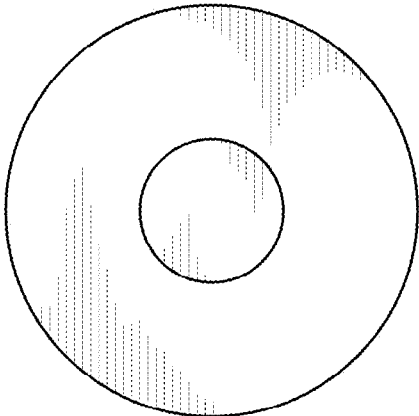


FIG. 2

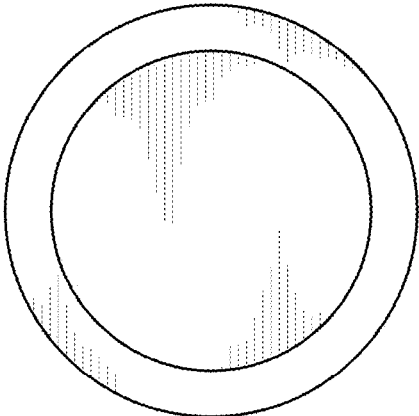


FIG. 3

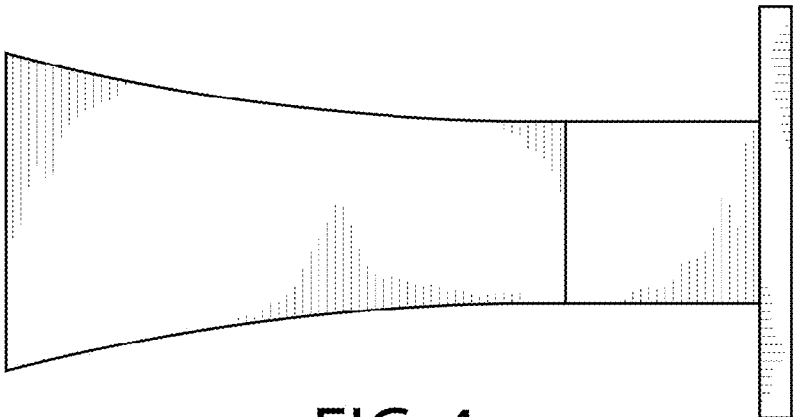


FIG. 4

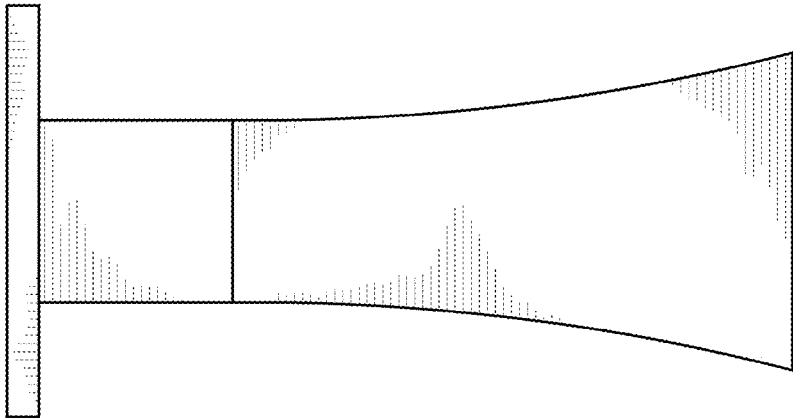


FIG. 5

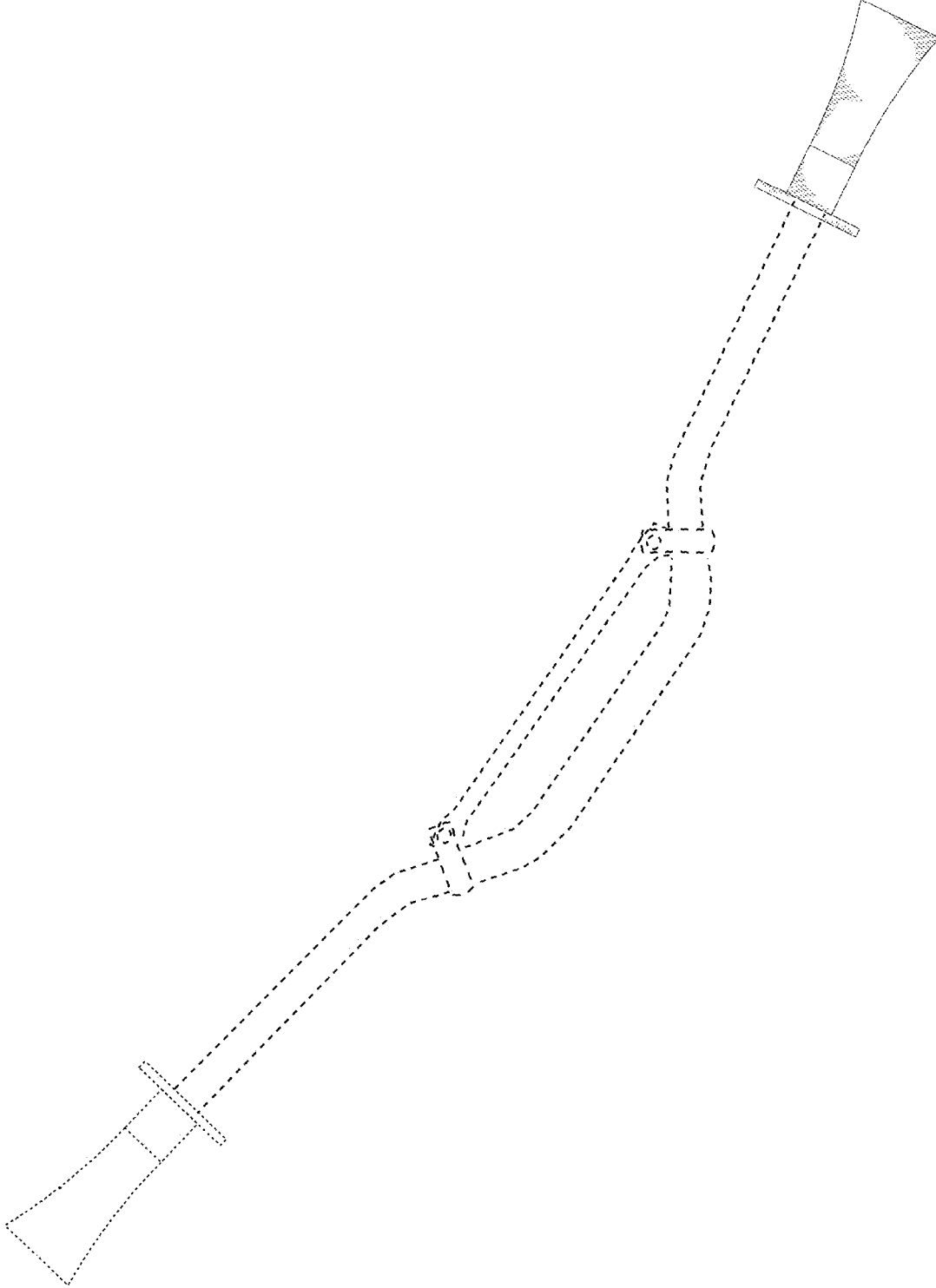


FIG. 6