



US00D887823S

(12) **United States Design Patent**
Joe

(10) **Patent No.:** **US D887,823 S**

(45) **Date of Patent:** **** Jun. 23, 2020**

- (54) **FRAME JOINT**
- (71) Applicant: **Randal W. Joe**, Escondido, CA (US)
- (72) Inventor: **Randal W. Joe**, Escondido, CA (US)
- (**) Term: **15 Years**
- (21) Appl. No.: **29/679,445**
- (22) Filed: **Feb. 6, 2019**

2,465,917 A * 3/1949 Neary A63H 27/08
244/153 R

2,863,466 A * 12/1958 Small A45B 17/00
135/20.3

2,991,097 A * 7/1961 Vanwersch E21D 15/43
403/91

3,181,542 A 5/1965 Bareis

3,252,469 A 5/1966 Peake

3,457,931 A 7/1969 Shimizu

3,749,338 A * 7/1973 Kinsey A63H 27/08
244/153 R

3,838,703 A 10/1974 Zeigler
(Continued)

Related U.S. Application Data

- (63) Continuation of application No. 16/233,435, filed on Dec. 27, 2018.
- (51) **LOC (12) Cl.** **08-08**
- (52) **U.S. Cl.** **D8/382**
USPC **D8/382**
- (58) **Field of Classification Search**
USPC D8/349, 354, 382, 396; D21/445, 446;
D6/702, 562, 553, 567
CPC A63H 27/08; A63H 27/082; A63H 27/085;
A63H 27/087; B64C 31/06; B64C
2031/06; B64C 2031/065; B64C 31/028;
E04B 1/34357; E04B 1/34384; E04B
1/3441; F16B 7/04; F16B 7/0406; F16B
7/0413; F16B 7/0433; F16B 7/044; F16B
7/0446; F16B 12/40; F16B 2012/403;
F16C 11/00; F16C 11/0604; F16C
11/045; F16C 11/0614; Y10T 403/35;
Y10T 403/42; Y10T 403/32319
See application file for complete search history.

References Cited

U.S. PATENT DOCUMENTS

957,528 A 5/1910 Wetteroth
1,846,496 A 2/1932 Mills

FOREIGN PATENT DOCUMENTS

EP 0534843 3/1993

Primary Examiner — Sandra S Snapp
Assistant Examiner — Ieisha N Price
(74) *Attorney, Agent, or Firm* — Buche & Associates,
P.C.; John K. Buche; Bryce A. Johnson

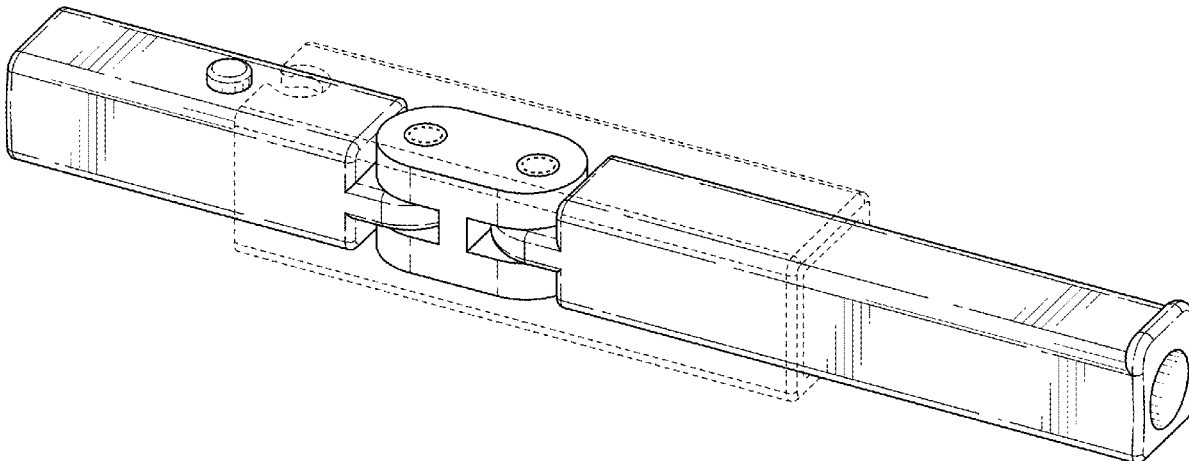
(57) **CLAIM**

I claim the ornamental design for “frame joint,” as shown.

DESCRIPTION

FIG. 1 is a perspective view of a frame joint;
FIG. 2 is a view of the frame joint of FIG. 1 from the right;
FIG. 3 is a view of the frame joint of FIG. 1 from the left;
FIG. 4 is a view of the frame joint of FIG. 1 from the top;
FIG. 5 is a view of the frame joint of FIG. 1 from the bottom;
FIG. 6 is a view of the frame joint of FIG. 1 from the front;
and,
FIG. 7 is a view of the frame joint of FIG. 1 from the back.
The broken line showing of the sleeve in FIGS. 1-7 illustrates the environment of the claimed design and form no part thereof.

1 Claim, 3 Drawing Sheets



US D887,823 S

(56)	<p style="text-align: center;">References Cited</p> <p style="text-align: center;">U.S. PATENT DOCUMENTS</p> <p>4,023,750 A * 5/1977 Tigner B64C 31/028 244/16</p> <p>4,131,378 A * 12/1978 Daws E05D 3/12 16/287</p> <p>4,244,384 A * 1/1981 Bean E04B 1/32 135/132</p> <p>4,337,548 A 7/1982 Bonar</p> <p>4,472,075 A * 9/1984 Forni F16C 11/02 403/157</p> <p>4,661,007 A * 4/1987 Schneider E05F 7/08 403/161</p> <p>4,932,807 A * 6/1990 Rhodes B64G 1/222 403/146</p> <p>5,178,583 A * 1/1993 Rankin B64G 9/00 403/100</p> <p>5,217,315 A * 6/1993 Rosane A61G 1/013 403/100</p> <p>5,423,341 A 6/1995 Brady</p> <p>D375,451 S * 11/1996 Ohkubo D8/323</p> <p>5,710,870 A 1/1998 Ohm</p>	<p>5,746,533 A * 5/1998 Schmidt E05D 11/1007 16/319</p> <p>5,884,646 A 5/1999 Ju</p> <p>D413,058 S * 8/1999 Murakami D8/382</p> <p>5,937,882 A 8/1999 Harbaugh</p> <p>6,317,497 B1 * 11/2001 Ou B60R 11/02 379/446</p> <p>6,371,873 B1 * 4/2002 Wang A63B 63/004 273/407</p> <p>6,612,713 B1 9/2003 Kuelbs</p> <p>6,675,546 B2 * 1/2004 Coles F16B 7/185 403/157</p> <p>6,868,858 B2 3/2005 Suh</p> <p>7,168,439 B2 1/2007 Patel et al.</p> <p>D545,304 S * 6/2007 Sergi D14/238</p> <p>9,220,647 B1 * 12/2015 Steinbock A61G 1/013</p> <p>2013/0020442 A1 * 1/2013 Prieto Estebanez ... A63H 27/08 244/153 R</p> <p>2016/0347449 A1 * 12/2016 Huang B64C 31/06</p> <p>2018/0249837 A1 9/2018 Cohen</p> <p>2018/0252000 A1 9/2018 Parry et al.</p> <p>2019/0201802 A1 * 7/2019 Stewart A63H 27/08</p>
------	---	---

* cited by examiner

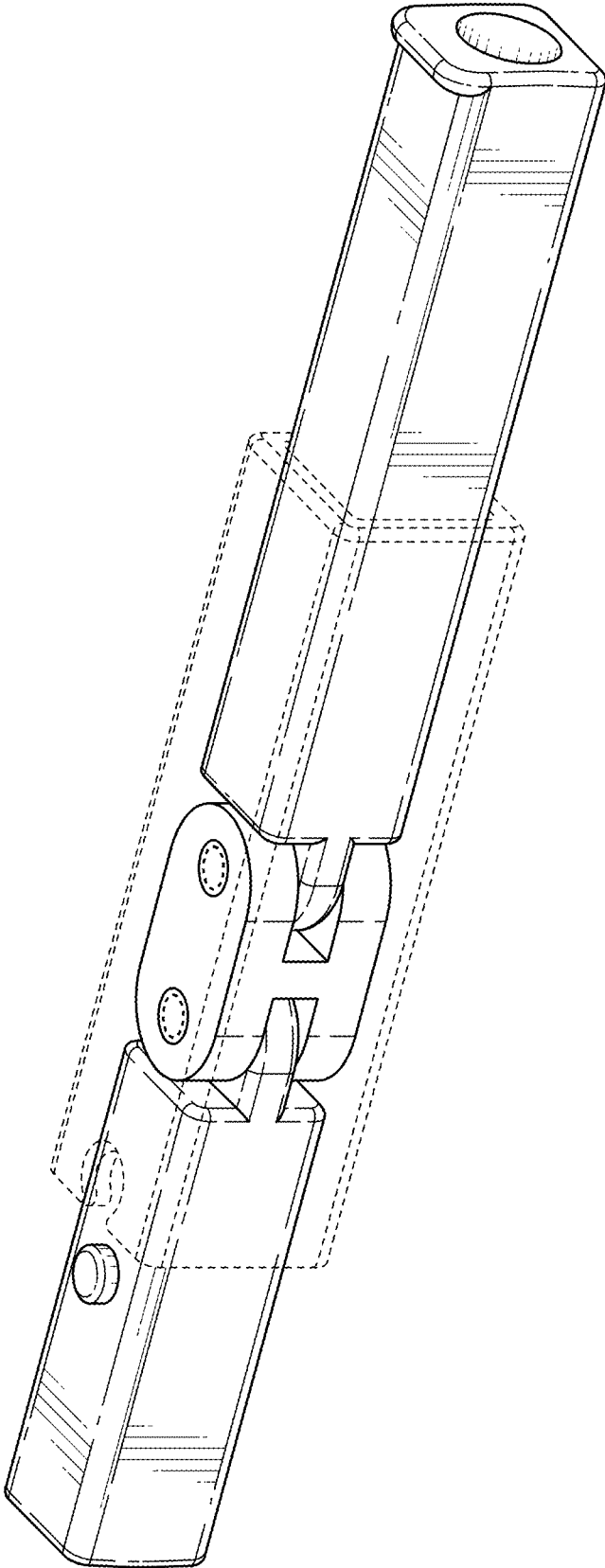


FIG. 1

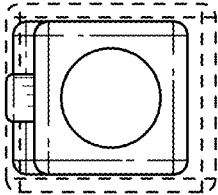


FIG. 2

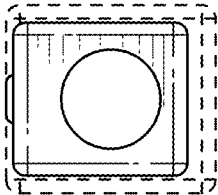


FIG. 3

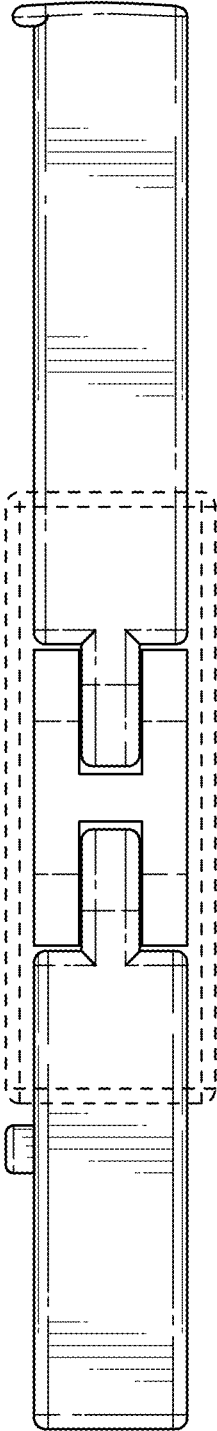


FIG. 4

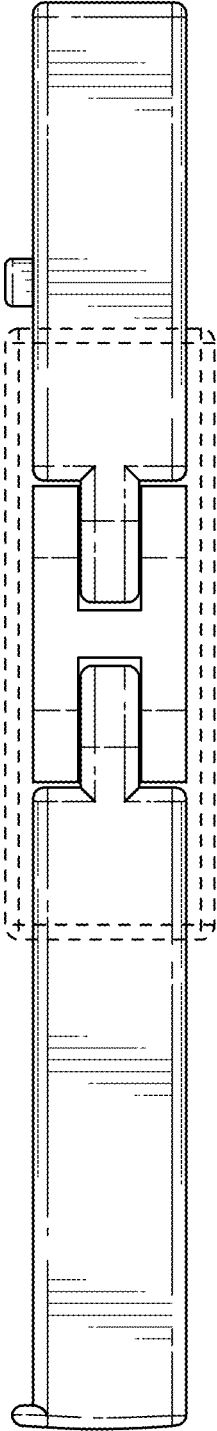


FIG. 5

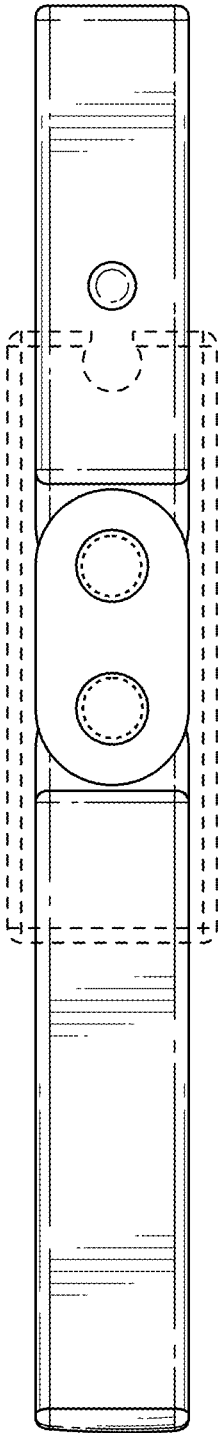


FIG. 6

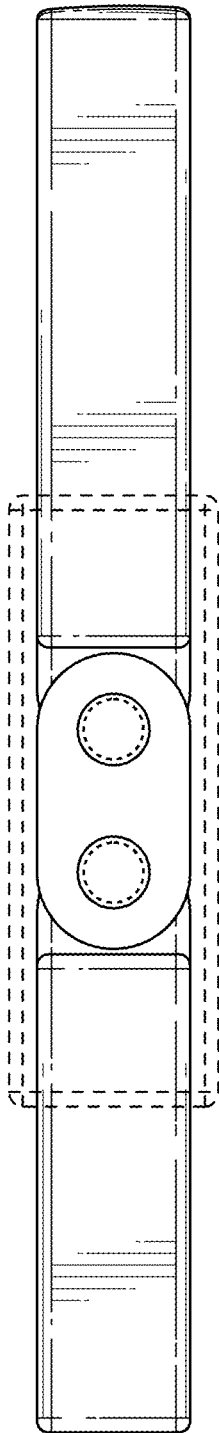


FIG. 7