



US00D883581S

(12) **United States Design Patent**  
**Daly et al.**

(10) **Patent No.:** **US D883,581 S**

(45) **Date of Patent:** **\*\* May 5, 2020**

(54) **REVERSIBLE HARNESS**

OTHER PUBLICATIONS

(71) Applicant: **Frenchie Bulldog, LLC**, La Jolla, CA (US)

“Frenchie Bulldog Pet Supply on Instagram”. Found online Jan. 30, 2019 at [instagram.com](https://www.instagram.com/p/BVcmk5XjiE4/). Page dated Jun. 17, 2017. Retrieved from <https://www.instagram.com/p/BVcmk5XjiE4/>. \*

(Continued)

(72) Inventors: **Bridget Daly**, La Jolla, CA (US);  
**Austin Stevens**, Salt Lake City, UT (US)

*Primary Examiner* — Kendra Leslie Hamilton  
(74) *Attorney, Agent, or Firm* — Buche & Associates, P.C.; Bryce A. Johnson; John K. Buche

(\*\*) Term: **15 Years**

(57) **CLAIM**

(21) Appl. No.: **29/675,765**

We claim the ornamental design for a reversible harness, as shown and described.

(22) Filed: **Jan. 4, 2019**

**DESCRIPTION**

(51) **LOC (12) Cl.** ..... **30-04**

(52) **U.S. Cl.**

USPC ..... **D30/152**

(58) **Field of Classification Search**

USPC ..... D30/144, 145, 151, 152, 199; D24/190; D29/101.1, 101.3, 101.5

CPC ..... A01K 27/002

See application file for complete search history.

FIG. 1 is a top, front, left perspective view of a reversible harness, showing our new design in a first configuration; FIG. 2 is a front elevation view thereof; FIG. 3 is a rear elevation view thereof; FIG. 4 is a top plan view thereof; FIG. 5 is a bottom plan view thereof; FIG. 6 is a bottom, front, right perspective view of the reversible harness of FIG. 1, shown in a condition of use; FIG. 7 is a bottom, front, left perspective view thereof; FIG. 8 is a top, front, right perspective view of the reversible harness of FIG. 1, shown inside-out in a second configuration; FIG. 9 is a front elevation view thereof; FIG. 10 is a rear elevation view thereof; FIG. 11 is a top plan view thereof; FIG. 12 is a bottom plan view thereof; FIG. 13 is a bottom, front, right perspective view of the reversible harness of FIG. 8, shown in a condition of use; and, FIG. 14 is a bottom, front, left perspective view thereof. The broken lines showing a dog in FIGS. 6, 7, 13, 14 depict environmental matter and form no part of the claimed design. in all of the drawings, the broken lines on the pet harness depict stitching that forms no part of the claimed design.

(56) **References Cited**

U.S. PATENT DOCUMENTS

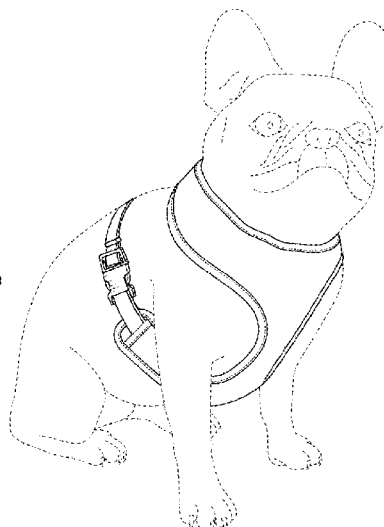
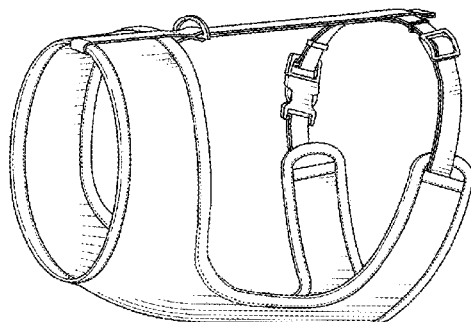
1,906,043	A	4/1933	Bernstein	
2,605,744	A	8/1952	Urbanski	
5,611,298	A *	3/1997	Sporn	A01K 27/002 119/792
5,630,382	A	5/1997	Barbera et al.	
5,738,043	A	4/1998	Manuel	
D621,561	S	8/2010	Siklosi et al.	
D633,257	S	2/2011	Trias	
D638,176	S *	5/2011	Mugford	D30/152
D652,581	S *	1/2012	Evans	D30/152

(Continued)

FOREIGN PATENT DOCUMENTS

WO	WO92/02128	2/1992
WO	WO98/29281	7/1998

**1 Claim, 8 Drawing Sheets**



(56)

References Cited

2015/0320011 A1\* 11/2015 Thorne ..... A01K 27/003  
119/792

U.S. PATENT DOCUMENTS

8,261,699 B2 9/2012 Cho  
 D677,841 S 3/2013 Gibbs  
 D681,287 S \* 4/2013 Collignon ..... D30/144  
 D701,007 S \* 3/2014 Krupich ..... D30/152  
 D713,996 S \* 9/2014 Collett ..... D29/101.1  
 D753,350 S \* 4/2016 Thitz ..... D30/144  
 D776,287 S \* 1/2017 Leonard ..... D24/190  
 D791,991 S 7/2017 Brauser et al.  
 D805,261 S \* 12/2017 Yun ..... D30/152  
 D823,556 S 7/2018 Yun  
 2008/0223311 A1\* 9/2008 Ito ..... A01K 27/002  
 119/792  
 2010/0263602 A1\* 10/2010 Cho ..... A01K 27/002  
 119/792  
 2011/0271913 A1\* 11/2011 Min ..... A01K 27/002  
 119/856  
 2013/0014705 A1 1/2013 Cho  
 2013/0128556 A1 5/2013 Brauser et al.

OTHER PUBLICATIONS

“Frenchie Duo Reversible Harness—Cheese Please!”. Found online Jan. 30, 2019 at frenchiebulldog.com. Page dated Dec. 12, 2016. Retrieved from <https://web.archive.org/web/20161212115228/https://frenchiebulldog.com/collections/the-new-frenchie-reversible-harness>.\*  
 “Park Lane Pup on Facebook”. Found online Jan. 30, 2019 at facebook.com. Page dated Dec. 23, 2017. Retrieved from <https://www.facebook.com/parklanepup/photos/a.910062999146286/955235171295735/?type=3&theater>.\*  
 “Coastal Comfort Soft Adjustable Dog Harness”. Found online Jan. 30, 2019 at amazon.com. Page dated Jul. 9, 2013. Retrieved from [https://www.amazon.com/Coastal-Comfort-Soft-Adjustable-Harness/dp/B0027JAPWA/ref=cm\\_cr\\_ar\\_p\\_d\\_product\\_top?ie=UTF8](https://www.amazon.com/Coastal-Comfort-Soft-Adjustable-Harness/dp/B0027JAPWA/ref=cm_cr_ar_p_d_product_top?ie=UTF8).\*

\* cited by examiner

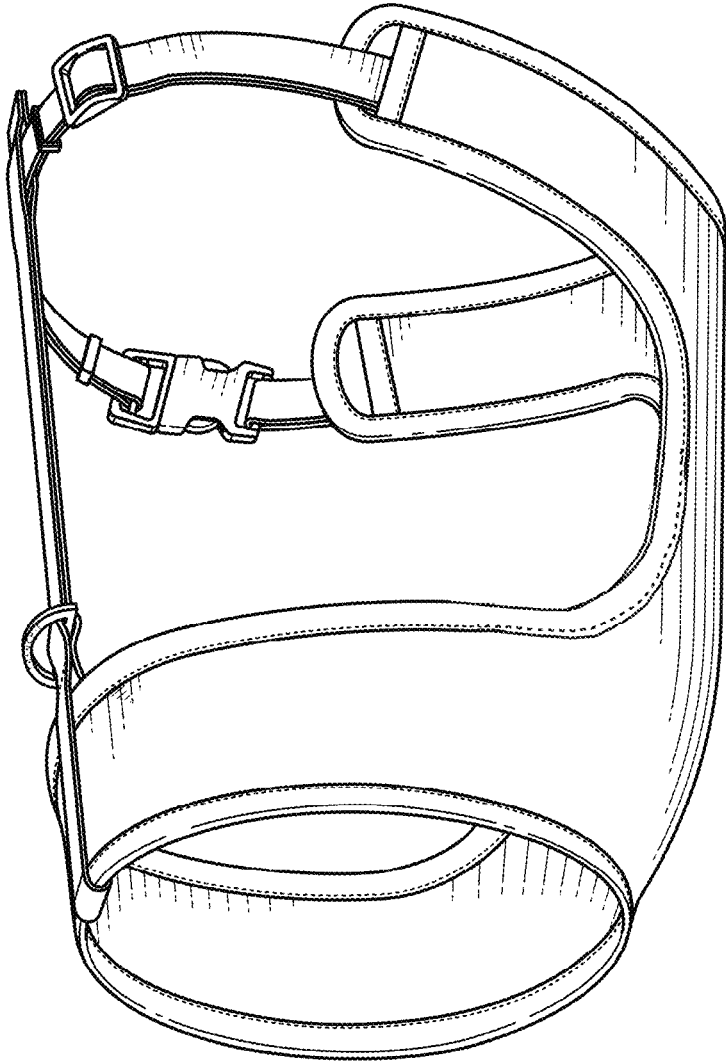


FIG. 1

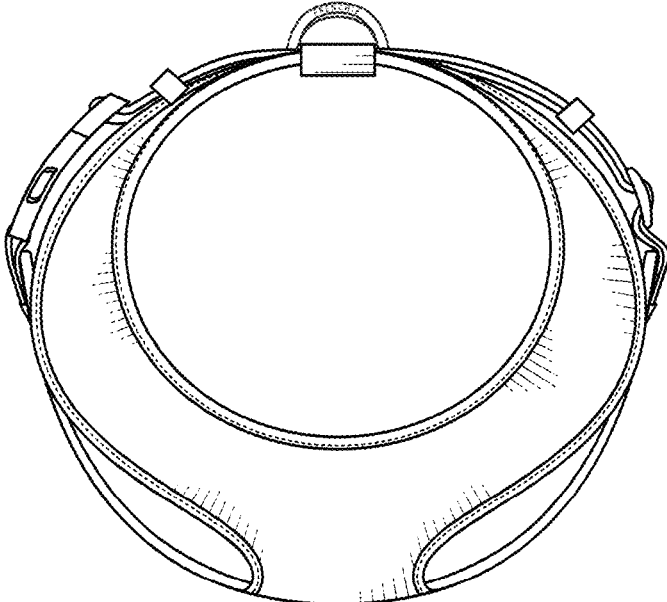


FIG. 2

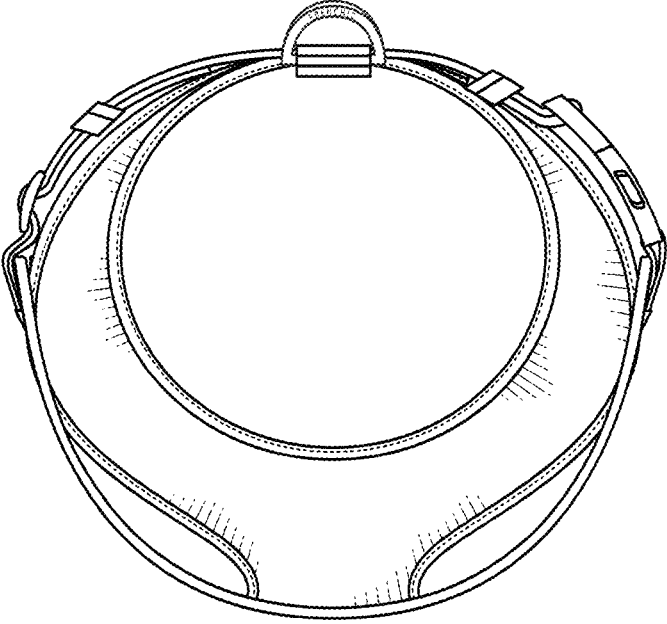


FIG. 3

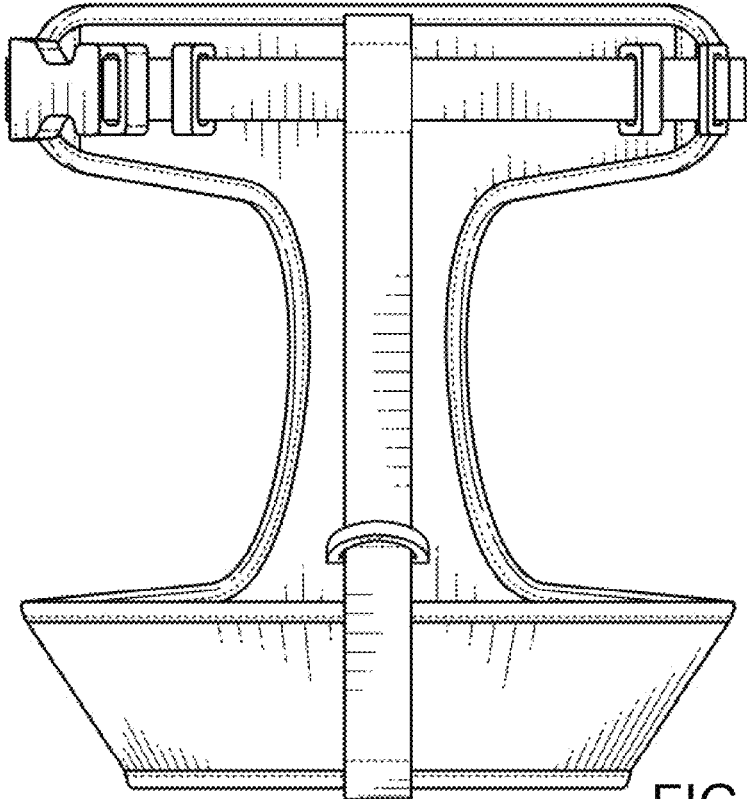


FIG. 4

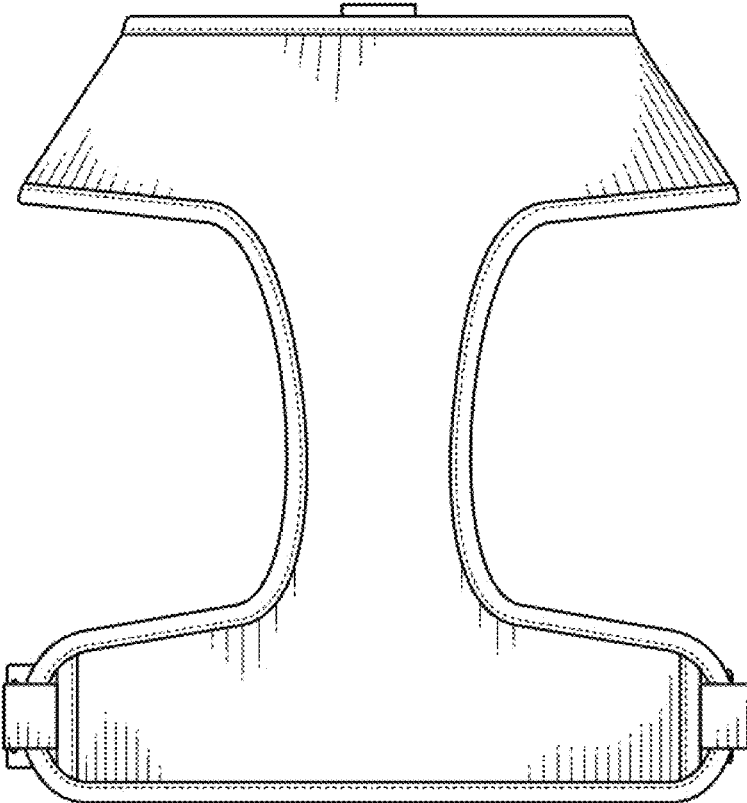


FIG. 5

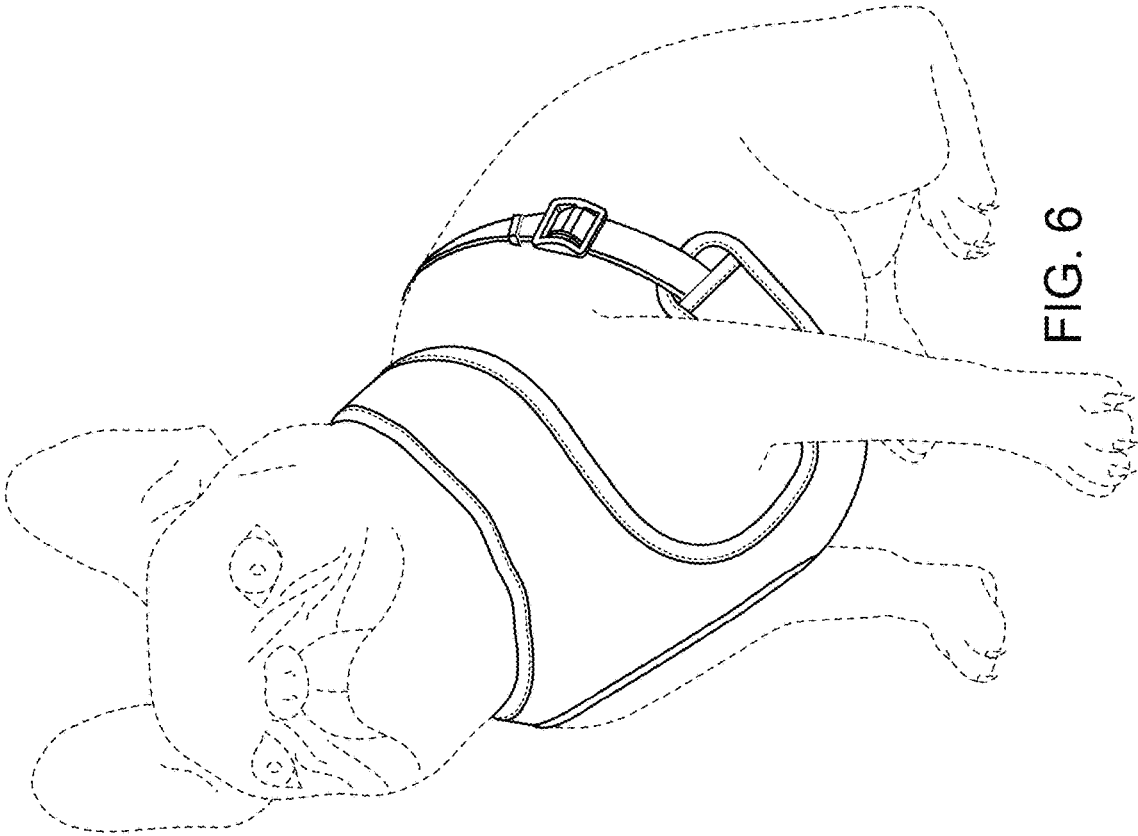


FIG. 6

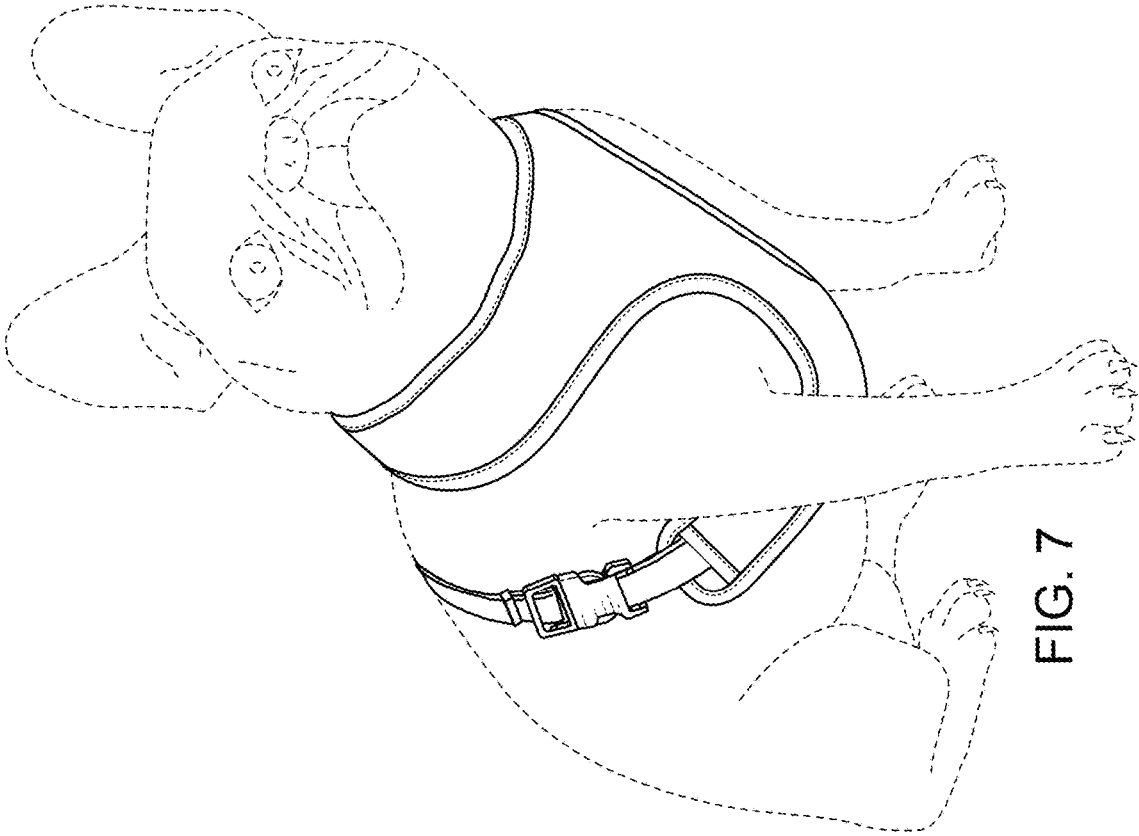


FIG. 7

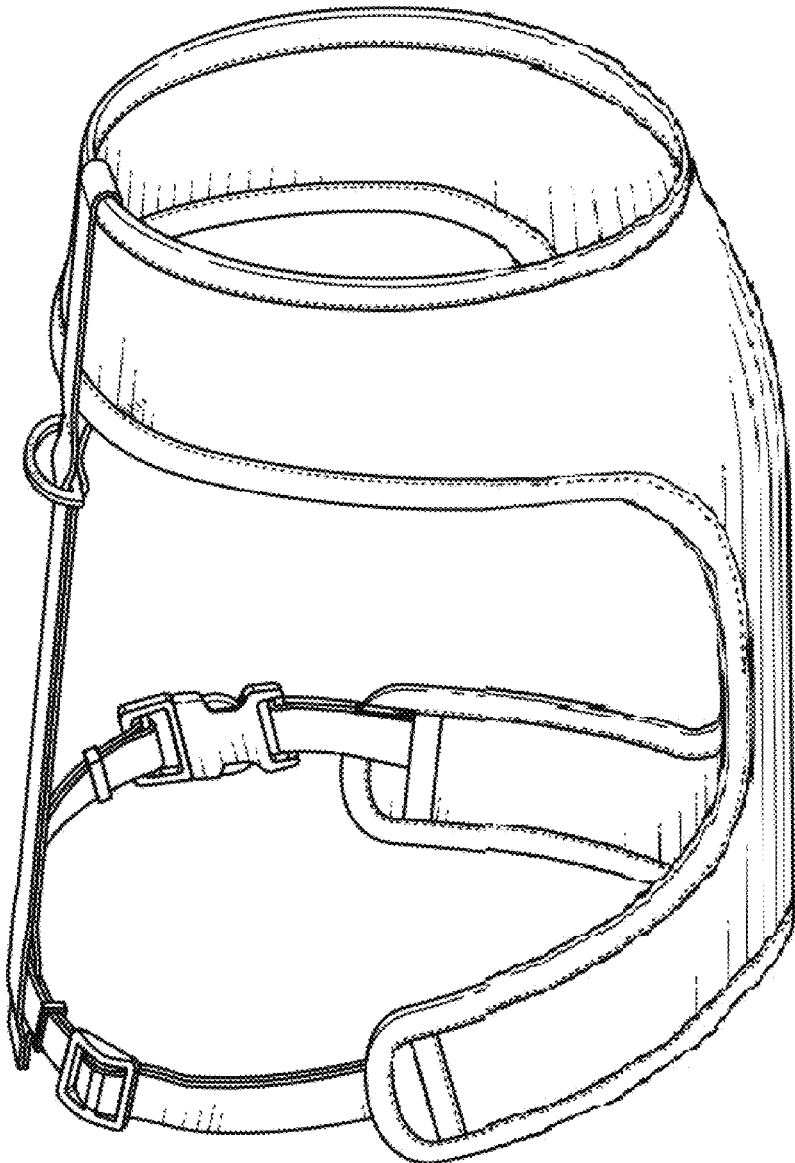


FIG. 8

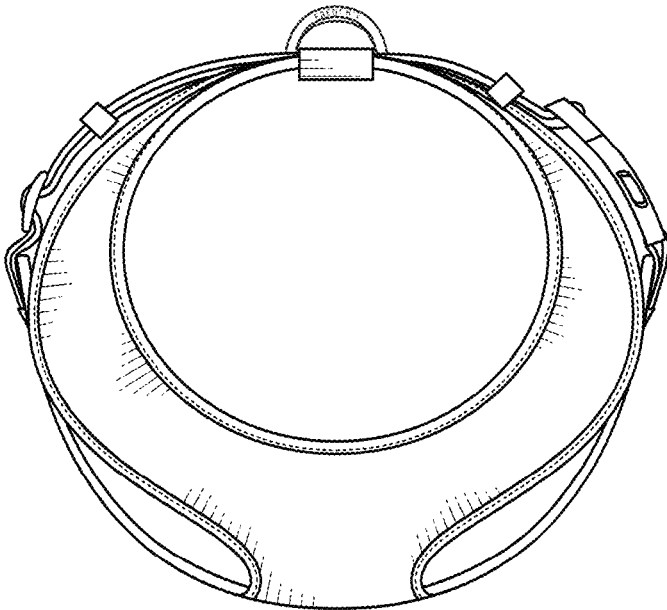


FIG. 9

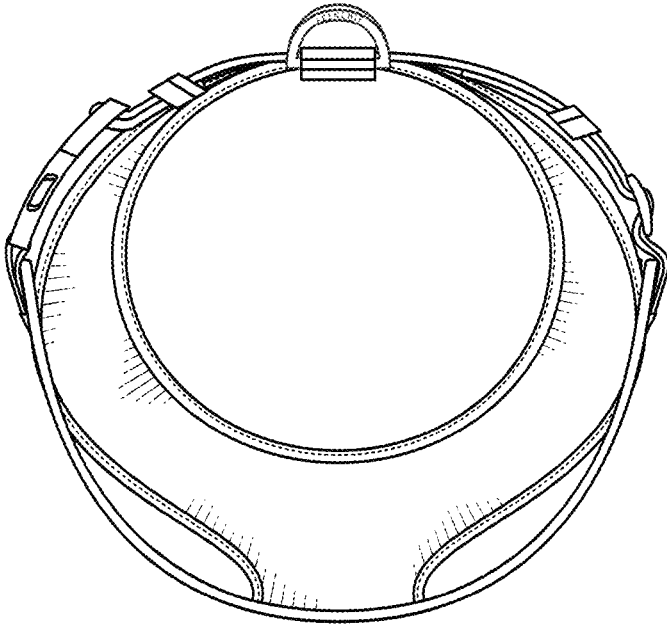


FIG. 10



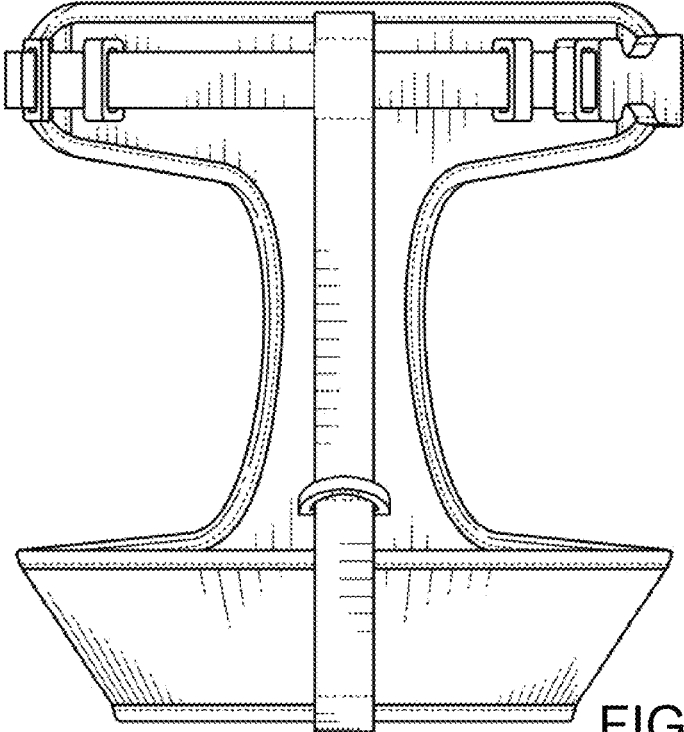


FIG. 11

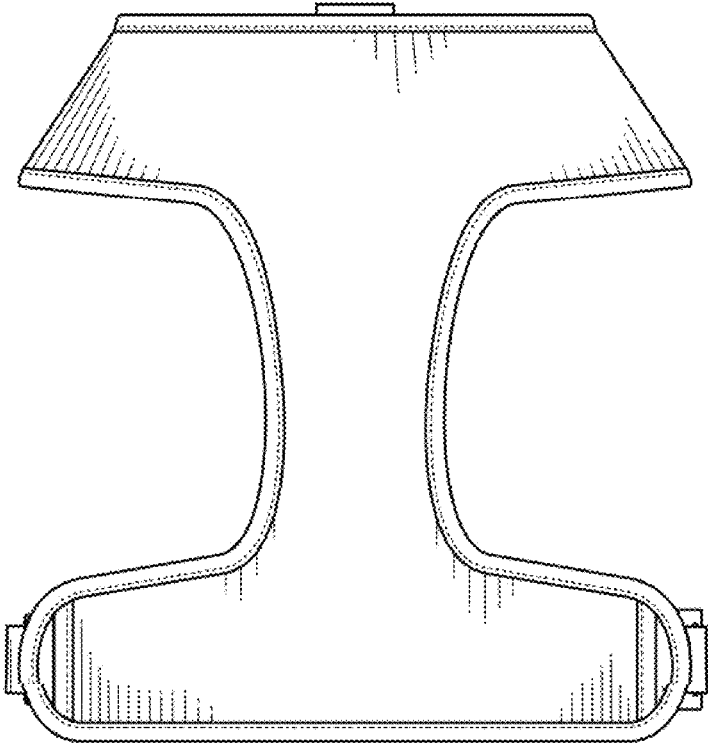


FIG. 12

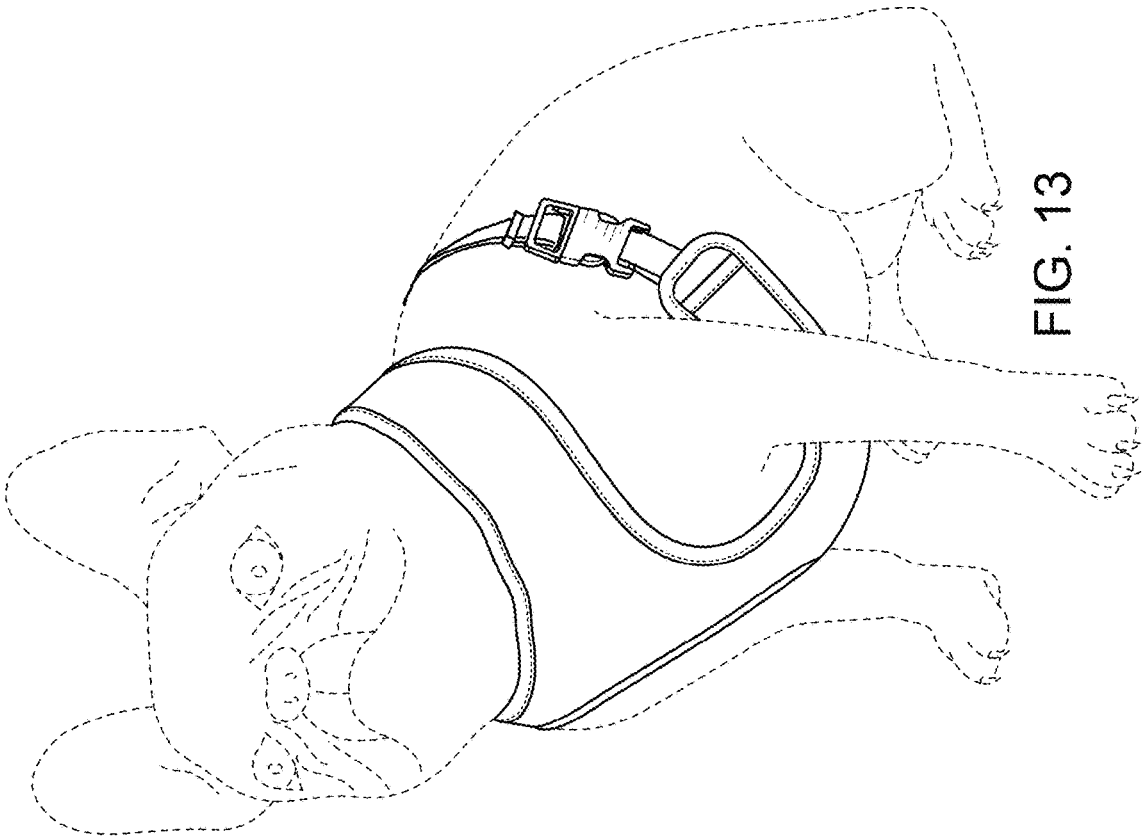


FIG. 13

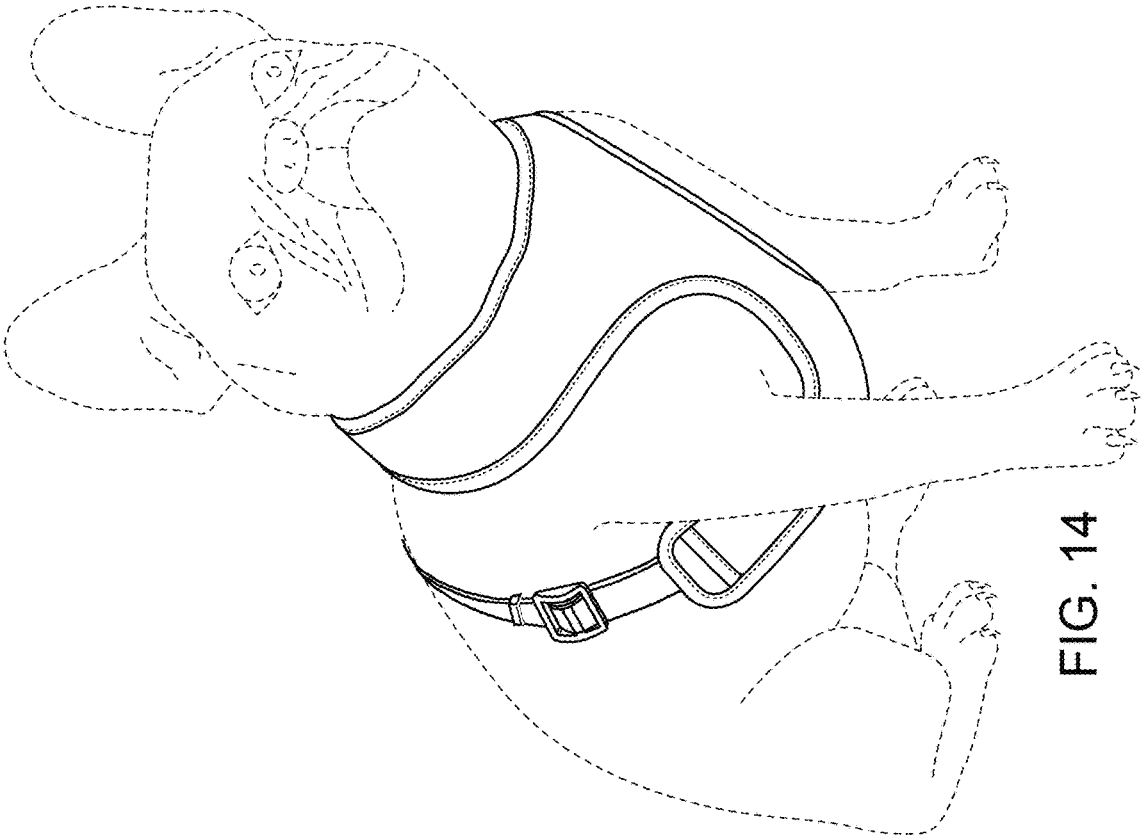


FIG. 14