



US00D841418S

(12) **United States Design Patent**  
**Kidd**

(10) **Patent No.:** **US D841,418 S**

(45) **Date of Patent:** **\*\* Feb. 26, 2019**

- (54) **FLANGE WRENCH**
- (71) Applicant: **Mitchell Kidd**, Salinas, CA (US)
- (72) Inventor: **Mitchell Kidd**, Salinas, CA (US)
- (\*\*) Term: **15 Years**
- (21) Appl. No.: **29/619,700**
- (22) Filed: **Sep. 29, 2017**
- (51) **LOC (11) Cl.** ..... **08-05**
- (52) **U.S. Cl.**  
USPC ..... **D8/21**
- (58) **Field of Classification Search**  
USPC ..... D8/21–29; 81/177.1, 177.85, 121.1,  
81/124.3, 165–170, 110.1, 176.2, 124.6,  
81/176.1, 176.15, 177.2; 16/110.1  
CPC ..... B25B 1/00; B25B 19/00; B25B 27/00  
See application file for complete search history.

4,181,048 A	1/1980	Norton	
4,237,755 A	12/1980	Gunnell, III	
5,839,331 A	11/1998	Rocheleau	
6,101,904 A	8/2000	Freitas	
7,712,400 B2	5/2010	Baumuller et al.	
D646,536 S *	10/2011	Morris	D8/21
2006/0278048 A1	12/2006	St. John	
2008/0066583 A1	3/2008	Lott	
2010/0132152 A1	6/2010	Grove et al.	
2014/0373687 A1	12/2014	Chkautovich	

\* cited by examiner

*Primary Examiner* — Randall H Gholson  
(74) *Attorney, Agent, or Firm* — Buche & Associates,  
P.C.; John K. Buche; Bryce A. Johnson

(57) **CLAIM**

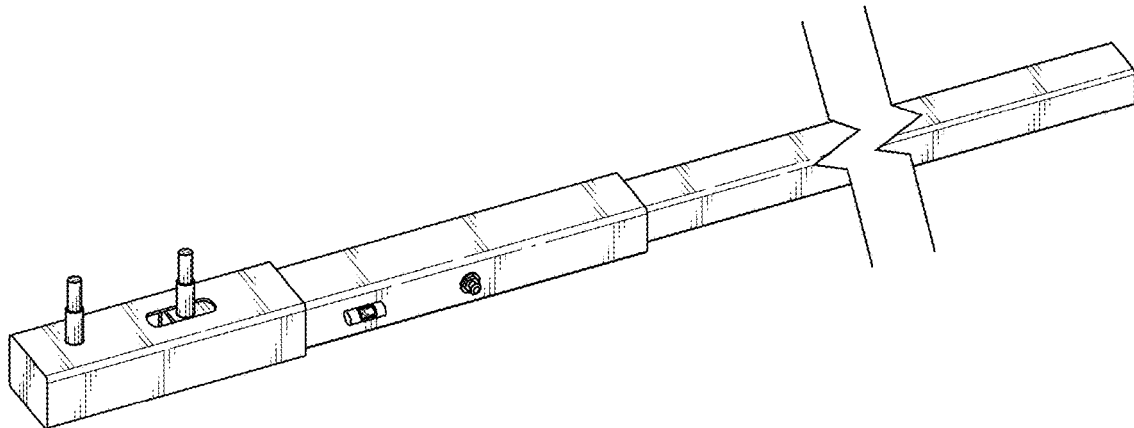
I claim the ornamental design for a flange wrench, as shown and described.

**DESCRIPTION**

FIG. 1 is a perspective view of the flange wrench. FIG. 2 is a front view of the flange wrench of FIG. 1; FIG. 3 is a back view of the flange wrench of FIG. 1; FIG. 4 is a left side view of the flange wrench of FIG. 1; FIG. 5 is a right side view of the flange wrench of FIG. 1; FIG. 6 is a top view of the flange wrench of FIG. 1; and, FIG. 7 is a bottom view of the flange wrench of FIG. 1. Broken lines illustrate text and other images and form no part of the claimed design. The flange wrench is shown with a symbolic break in its length. The appearance of any portion of the article between the break lines forms no part of the claimed design.

**1 Claim, 3 Drawing Sheets**

- (56) **References Cited**
- U.S. PATENT DOCUMENTS
- 817,709 A 4/1906 Hayes
- 970,371 A 9/1910 Greggs
- 1,110,204 A 9/1914 Hien
- 1,291,633 A 1/1919 Allmon
- 1,350,519 A 8/1920 Pukell
- 1,398,125 A 11/1921 Carleton et al.
- 1,425,845 A 8/1922 Foster
- 1,579,992 A 4/1926 Altman
- 1,681,126 A 6/1926 McDonnell
- 1,760,784 A 11/1929 Skarke
- 1,838,963 A 12/1931 Slattery
- 2,357,562 A 9/1944 Thom et al.
- 3,367,218 A 8/1968 Koubele
- 3,498,160 A 3/1970 Brockway et al.



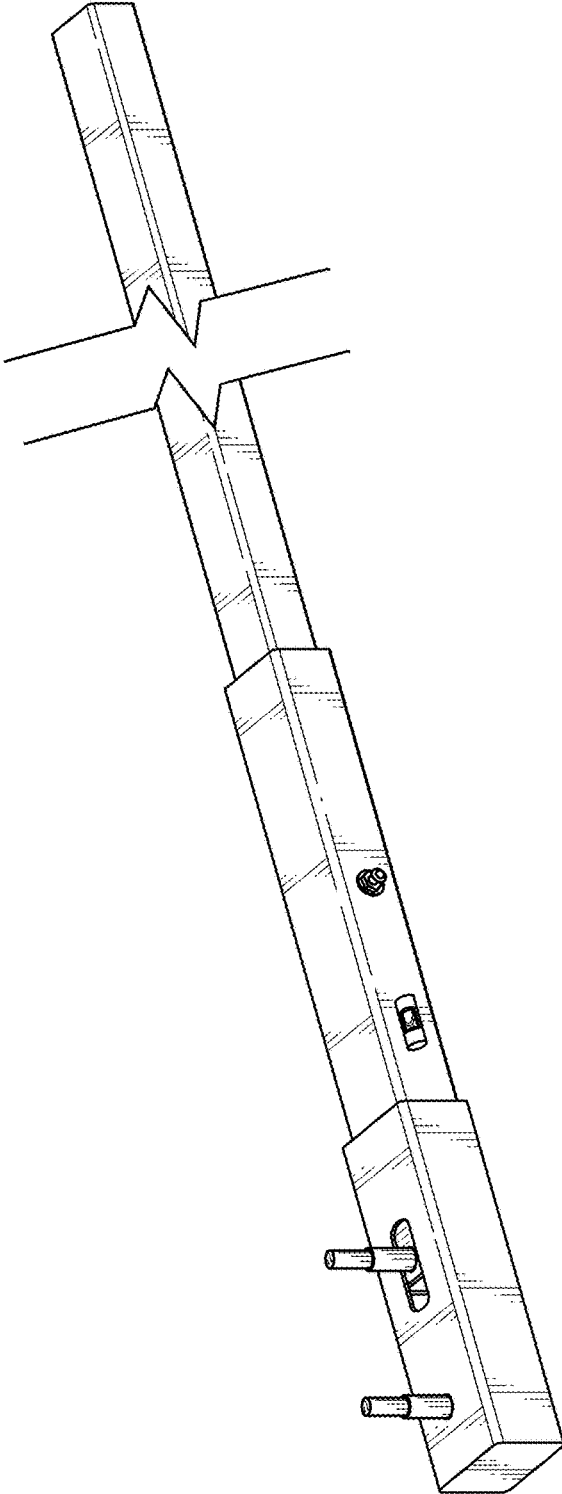


FIG. 1

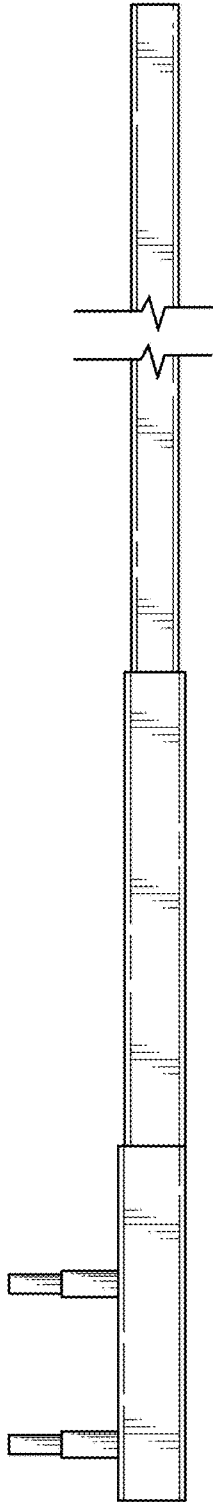


FIG. 2

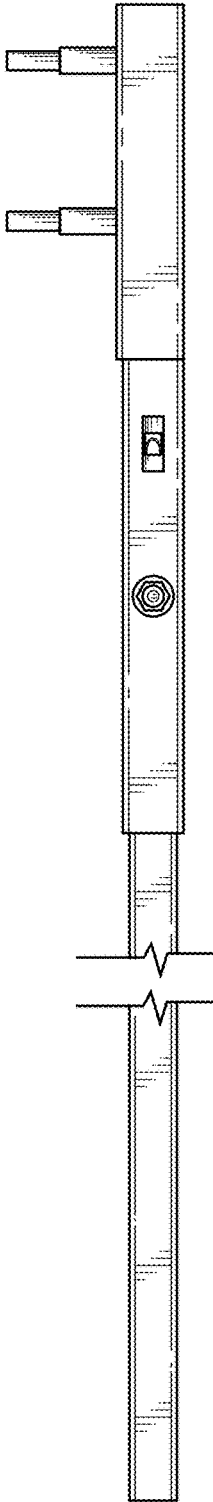


FIG. 3

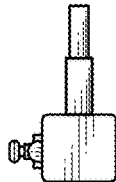


FIG. 4

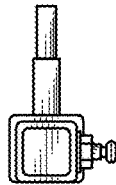


FIG. 5

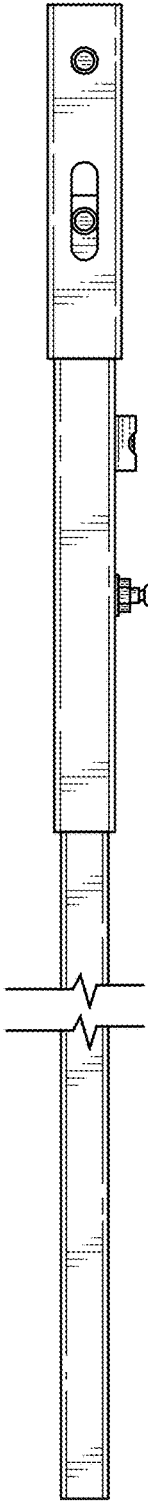


FIG. 6

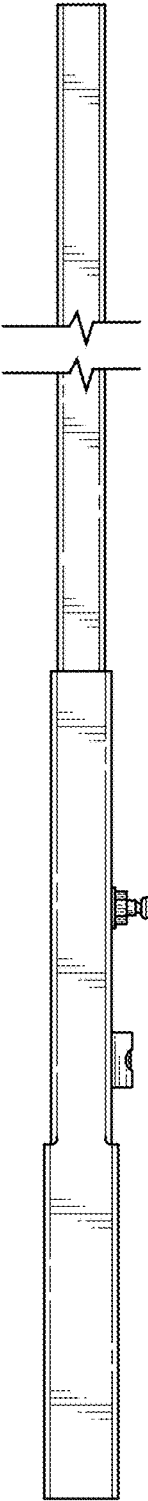


FIG. 7