



(12) **United States Design Patent**
Bossi

(10) **Patent No.:** **US D814,604 S**
(45) **Date of Patent:** **** *Apr. 3, 2018**

(54) **DRIFT AND STRIKE INDICATOR FOR FISHING**

(74) *Attorney, Agent, or Firm* — Buche & Associates, P.C.; John K. Buche; Bryce A. Johnson

(71) Applicant: **Steven J. Bossi**, San Diego, CA (US)

(57) **CLAIM**

(72) Inventor: **Steven J. Bossi**, San Diego, CA (US)

I claim the ornamental design for a “drift and strike indicator for fishing,” as shown.

(*) Notice: This patent is subject to a terminal disclaimer.

(**) Term: **15 Years**

DESCRIPTION

(21) Appl. No.: **29/576,165**

FIG. 1 is a perspective view of the drift and strike indicator for fishing;

(22) Filed: **Aug. 31, 2016**

FIG. 2 is a front view of the drift and strike indicator for fishing of FIG. 1;

Related U.S. Application Data

(63) Continuation-in-part of application No. 29/562,173, filed on Apr. 22, 2016, now Pat. No. Des. 780,880.

FIG. 3 is a rear view of the drift and strike indicator for fishing of FIG. 1;

(51) **LOC (11) Cl.** **22-05**

FIG. 4 is a left side view of the drift and strike indicator for fishing of FIG. 1;

(52) **U.S. Cl.**
USPC **D22/134**

FIG. 5 is a right side view of the drift and strike indicator for fishing of FIG. 1;

(58) **Field of Classification Search**
USPC D22/134, 138–139, 148; 43/16–17
See application file for complete search history.

FIG. 6 is a top view of the drift and strike indicator for fishing of FIG. 1;

FIG. 7 is a bottom view of the drift and strike indicator for fishing of FIG. 1;

FIG. 8 is a perspective view of the drift and strike indicator for fishing of FIG. 1;

References Cited

U.S. PATENT DOCUMENTS

D401,995 S *	12/1998	Yamagata	D22/134
D421,478 S *	3/2000	Medrano	D22/134
D616,524 S *	5/2010	Haroian	D22/134
7,963,065 B1 *	6/2011	Copeland	A01K 97/12 43/16

FIG. 9 is a flow diagram of applying the drift and strike indicator for fishing of FIG. 1 to a leader; and,

FIG. 10 is an environmental view of the fly fishing strike indicator of FIG. 1 in use.

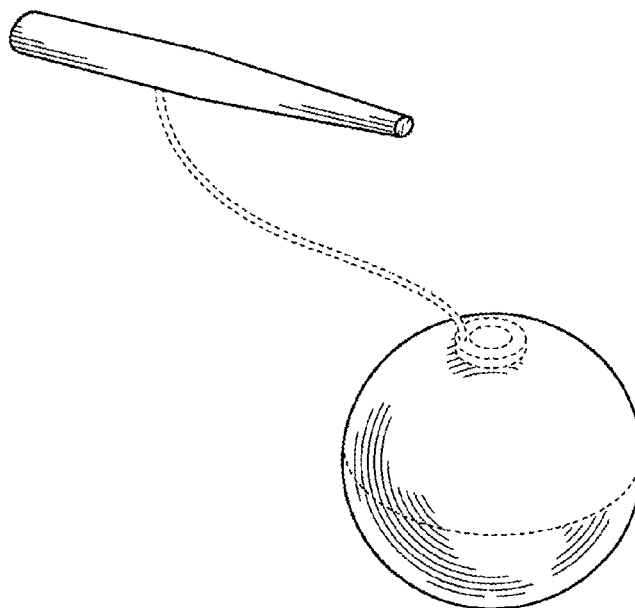
Broken lines depict portions of the drift and strike indicator for fishing, illustrate environmental features, and form no part of the claimed design.

The nature and intended use of the article in which the design is embodied is for fly fishing.

* cited by examiner

Primary Examiner — Catherine R Oliver-Garcia

1 Claim, 6 Drawing Sheets



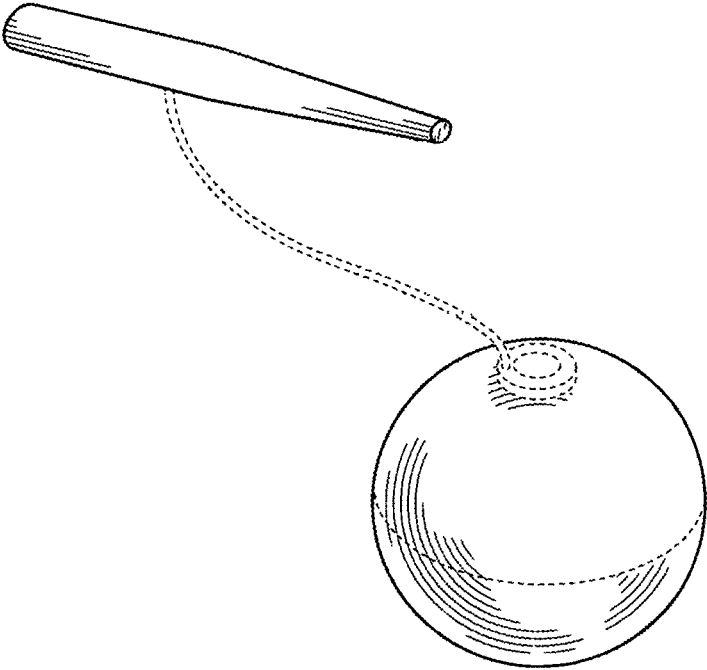


FIG. 1

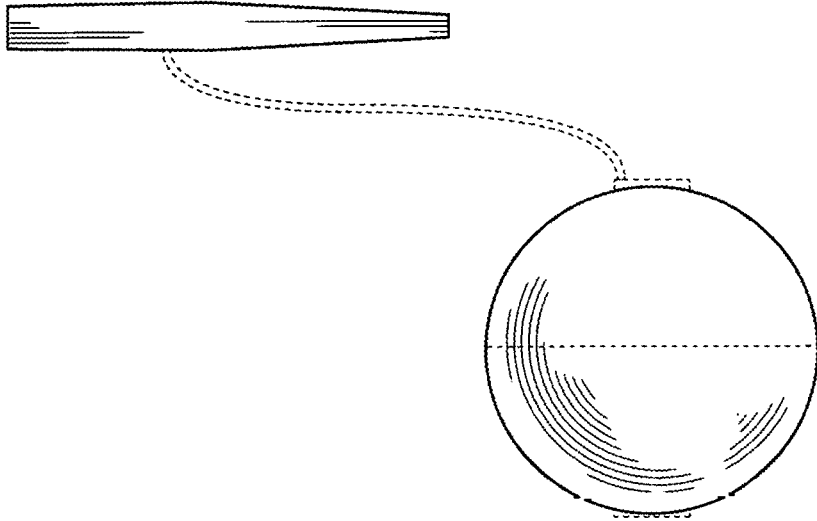


FIG. 2

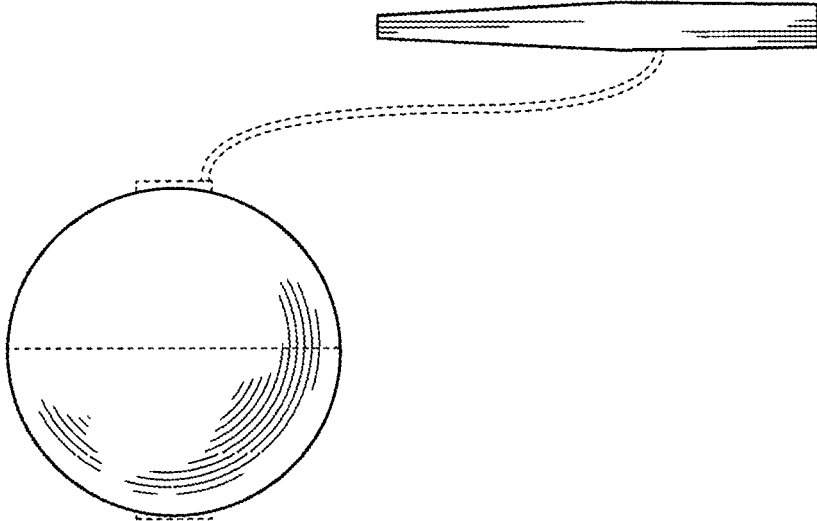


FIG. 3

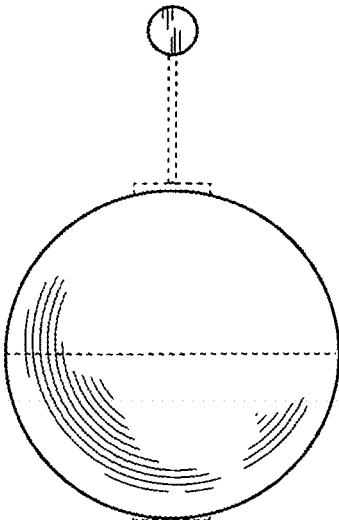


FIG. 4

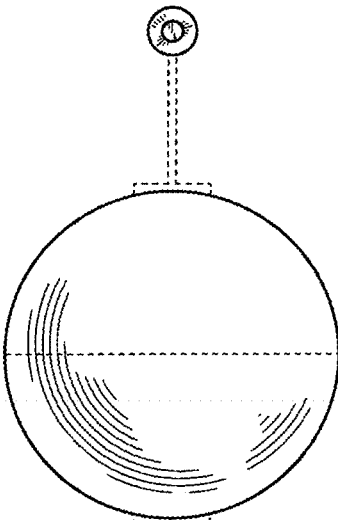


FIG. 5

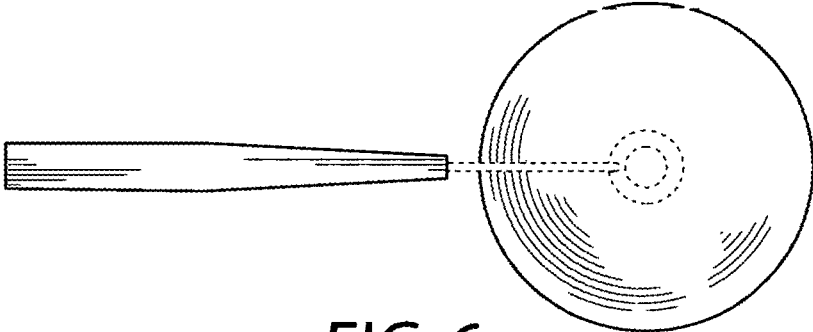


FIG. 6

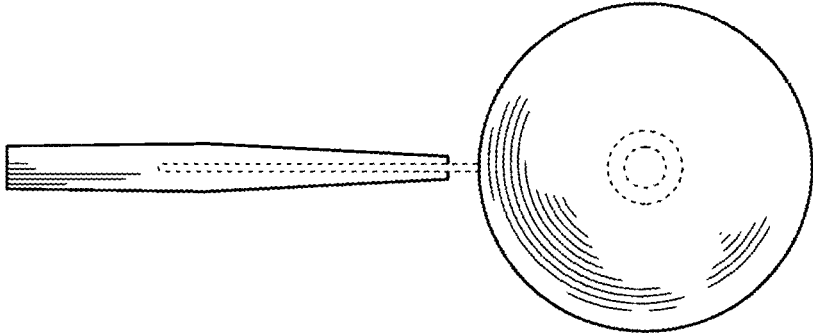


FIG. 7

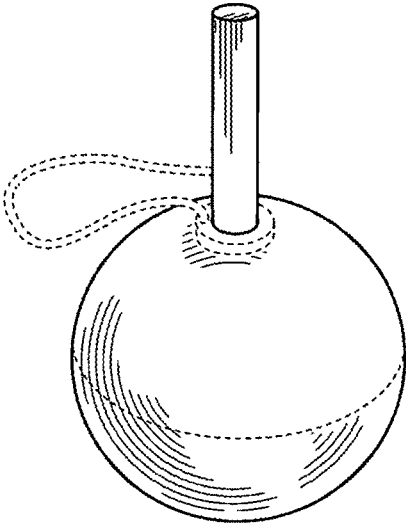


FIG. 8

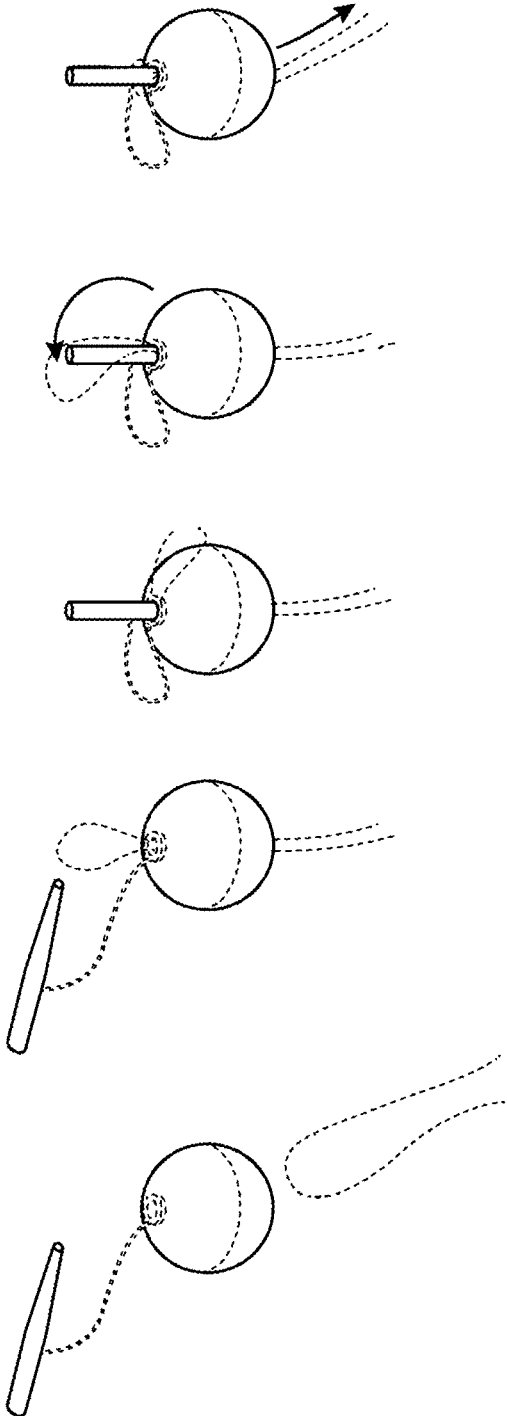


FIG. 9

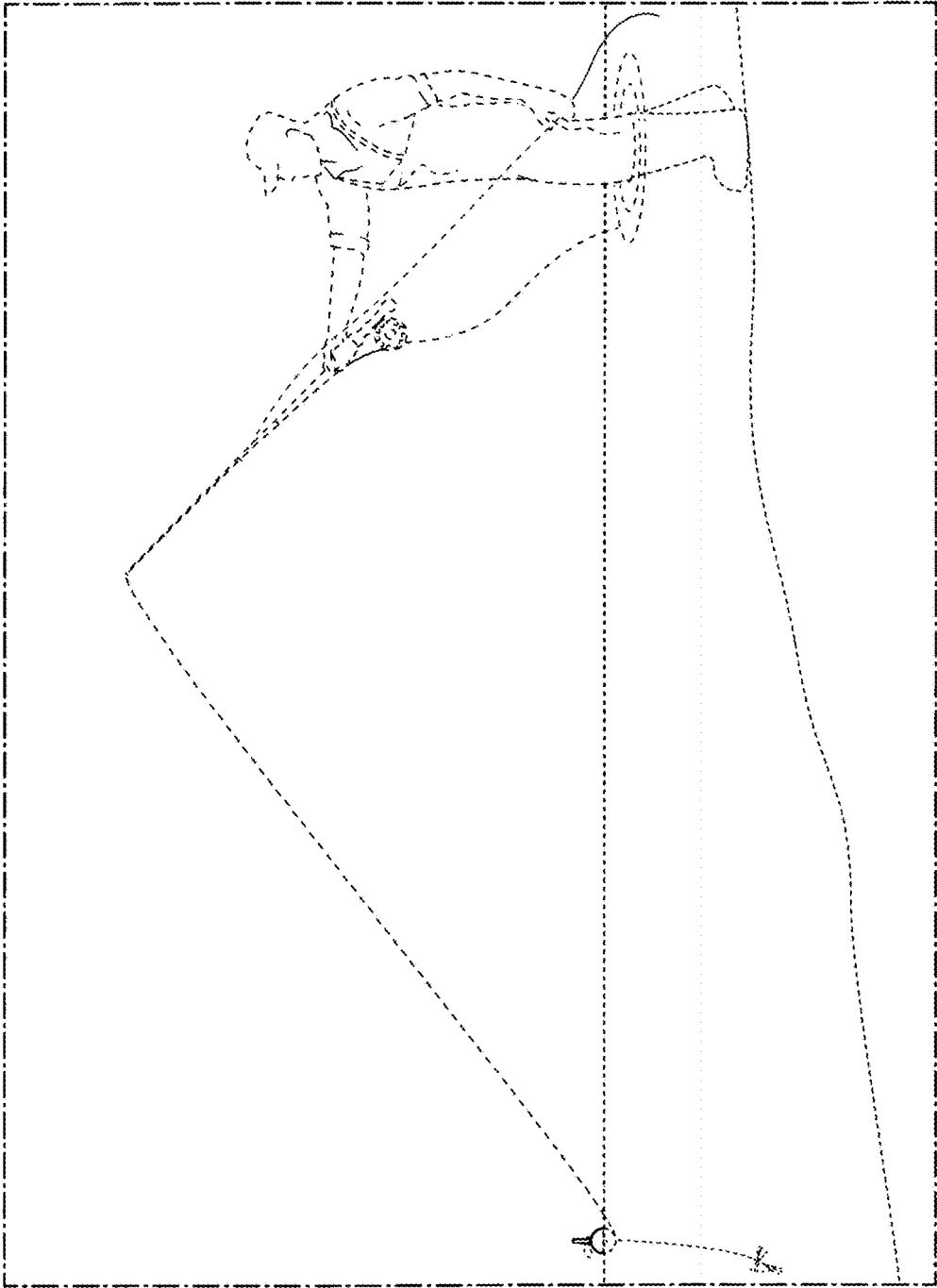


FIG. 10