



US00D813708S

(12) **United States Design Patent**
Lane

(10) **Patent No.:** **US D813,708 S**

(45) **Date of Patent:** **** Mar. 27, 2018**

- (54) **EARRING**
- (71) Applicant: **Kevin Lane**, San Diego, CA (US)
- (72) Inventor: **Kevin Lane**, San Diego, CA (US)
- (**) Term: **15 Years**
- (21) Appl. No.: **29/578,943**
- (22) Filed: **Sep. 26, 2016**
- (51) **LOC (11) Cl.** **11-01**
- (52) **U.S. Cl.** **D11/40**
USPC **D11/40**
- (58) **Field of Classification Search**
USPC D11/1, 2, 7, 8, 40-86, 91, 92
CPC A44C 7/00; A44C 7/002; A44C 7/003;
A44C 7/004; A44C 7/005; A44C 7/006;
A44C 7/007; A44C 7/008; A44C 7/009;
A44C 17/02; A44C 17/0208; A44C
17/0216; A44C 17/0255; A44C 17/0233;
A44C 17/0241; A44C 17/025; A44C
17/0258; A44C 17/0266; A44C 25/00;
A44C 25/001; A44C 25/007; A44C 1/00;
A44C 3/00
See application file for complete search history.

6,146,723 A *	11/2000	Arends	A44C 17/00	427/260
D447,080 S *	8/2001	Itzkowitz	D11/26	
D453,706 S *	2/2002	Lai	D11/91	
D468,228 S *	1/2003	Gurevich	D11/91	
D473,816 S *	4/2003	Gurevich	D11/91	
D484,068 S *	12/2003	Pachachi	D11/79	
D642,088 S *	7/2011	Kothari	D11/40	

* cited by examiner

Primary Examiner — Melanie Pellegrini
(74) *Attorney, Agent, or Firm* — Buche & Associates,
P.C.; John K. Buche; Bryce A. Johnson

(57) **CLAIM**

I claim the ornamental design for an “earring,” as shown.

DESCRIPTION

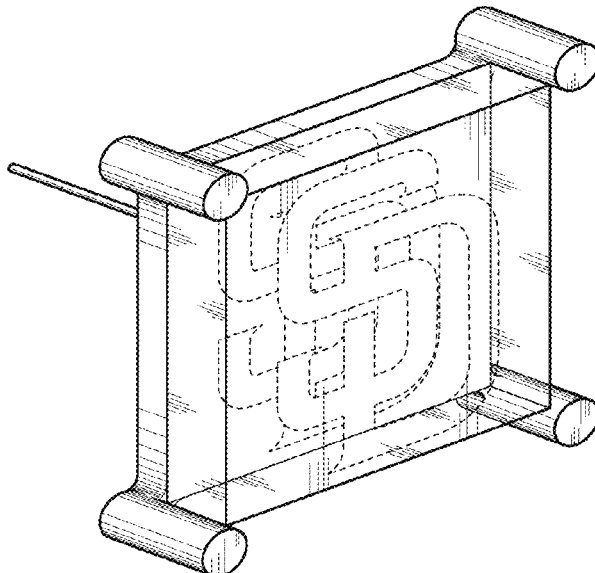
FIG. 1 is a perspective view of an earring showing my new design;
 FIG. 2 is front view of the earring of FIG. 1;
 FIG. 3 is a back view of the earring of FIG. 1;
 FIG. 4 is a left side view of the earring of FIG. 1;
 FIG. 5 is a right side view of the earring of FIG. 1;
 FIG. 6 is a top view of the earring of FIG. 1;
 FIG. 7 is a bottom view of the earring of FIG. 1; and,
 FIG. 8 is an environmental view of the earring of FIG. 1.
 Broken lines depict portions of the earring and environment that form no part of the claimed design.
 The earring features a unique appearance over prior art, including uprights and a transparent block that shows a double image illusion when viewed at certain angles.

1 Claim, 4 Drawing Sheets

(56) **References Cited**

U.S. PATENT DOCUMENTS

D391,516 S *	3/1998	Kothari	D11/40
D403,611 S *	1/1999	Lai	D11/91
D411,134 S *	6/1999	Lai	D11/92
D431,204 S *	9/2000	Gurevich	D11/92



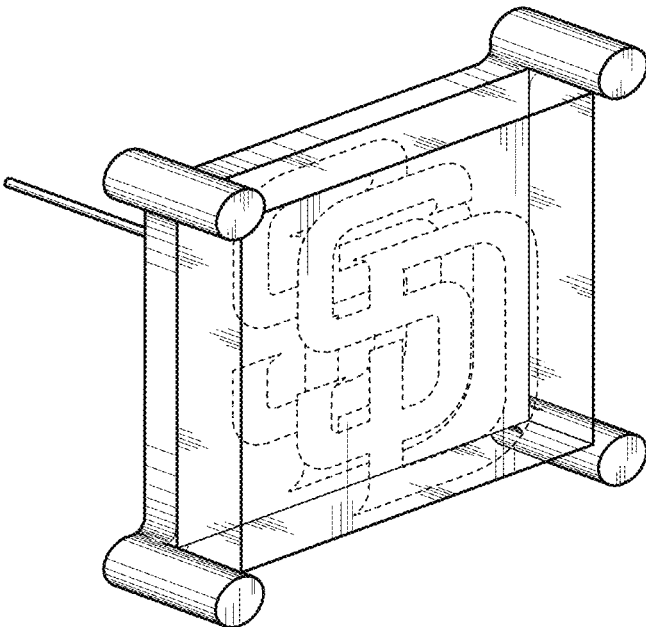


FIG. 1

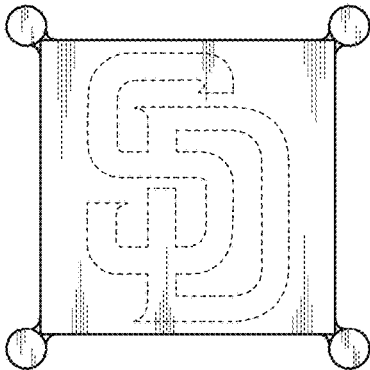


FIG. 2

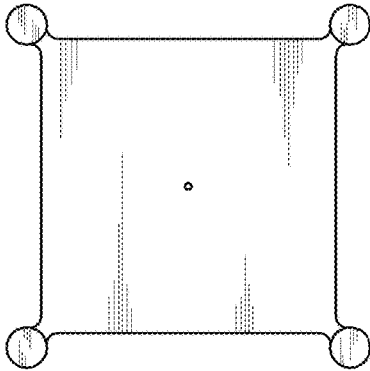


FIG. 3

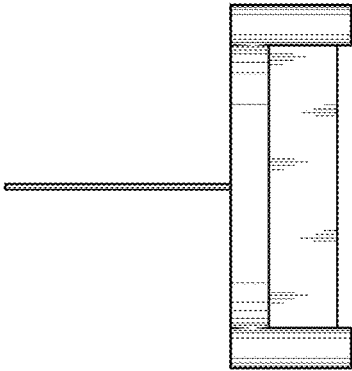


FIG. 4

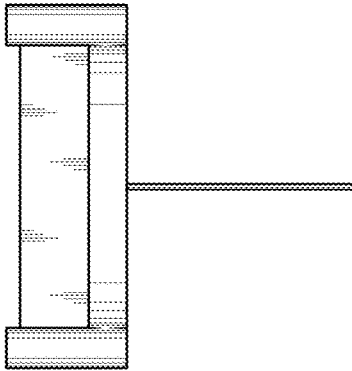


FIG. 5

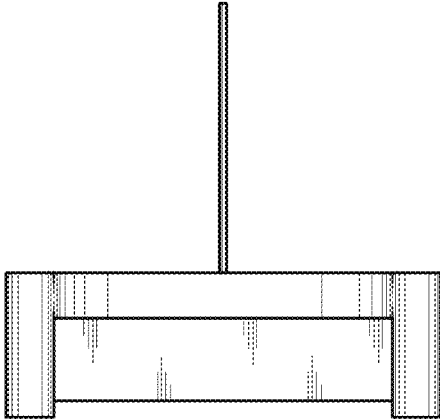


FIG. 6

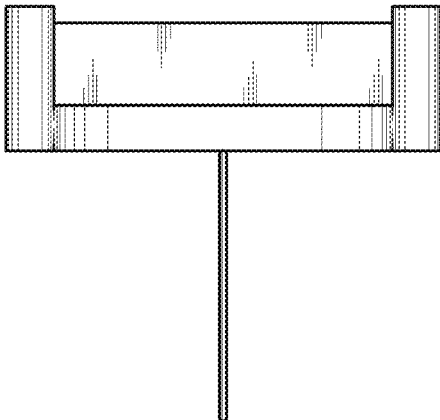


FIG. 7

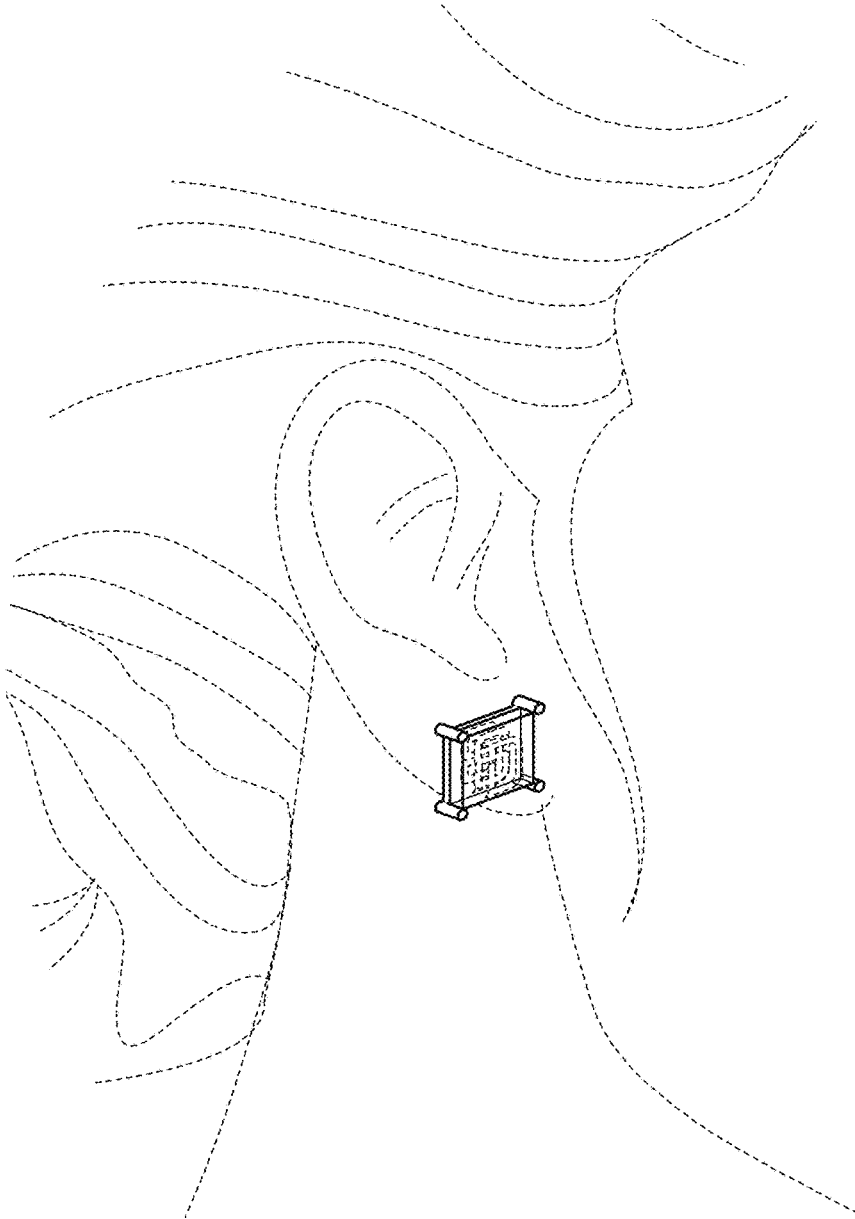


FIG. 8