



US00D813428S

(12) **United States Design Patent**
Inscore et al.

(10) **Patent No.:** **US D813,428 S**
(45) **Date of Patent:** **** Mar. 20, 2018**

- (54) **ILLUMINATION DEVICE**
- (71) Applicants: **Terry Glynn Inscore**, Pearland, TX
(US); **Mark Jason Inscore**, Pearland,
TX (US)
- (72) Inventors: **Terry Glynn Inscore**, Pearland, TX
(US); **Mark Jason Inscore**, Pearland,
TX (US)
- (**) Term: **15 Years**

6,033,084 A	3/2000	Burke	
6,231,219 B1 *	5/2001	Lohss B60Q 7/00 362/191
6,666,372 B1	12/2003	Nagel	
7,018,069 B1	3/2006	Barton	
7,033,049 B2	4/2006	Spahr et al.	
7,178,936 B2	2/2007	Lai	
D542,449 S *	5/2007	Racoosin D26/51
7,350,692 B2	4/2008	Bushee et al.	
D595,875 S *	7/2009	Irvine D26/24
D634,039 S *	3/2011	Lee D26/24
2016/0223174 A1	8/2016	Inscore et al.	

- (21) Appl. No.: **29/576,913**
- (22) Filed: **Sep. 8, 2016**

Related U.S. Application Data

- (63) Continuation-in-part of application No. 14/608,615,
filed on Jan. 29, 2015, now abandoned.
- (51) **LOC (11) Cl.** **26-02**
- (52) **U.S. Cl.**
USPC **D26/24**
- (58) **Field of Classification Search**
USPC D26/1, 24, 26, 37, 38, 46, 118
CPC . A45C 15/06; A45D 33/32; F21L 4/02; F21L
7/00; F21L 15/06; F21K 9/00; F21K
9/30; F21V 23/00; F21V 23/02; F21V
23/04; F21V 23/005; F21V 23/023; F21V
31/00; F21V 31/005
See application file for complete search history.

References Cited

U.S. PATENT DOCUMENTS

4,964,565 A	10/1990	Wood	
5,032,957 A	7/1991	Canfield	
D356,172 S *	3/1995	Vance D26/46
D397,465 S *	8/1998	Youri D26/38
5,975,713 A	11/1999	Brothers	

* cited by examiner

Primary Examiner — Brian N. Vinson

(74) *Attorney, Agent, or Firm* — Buche & Associates,
P.C.; John K. Buche; Scott D. Compton

(57) **CLAIM**

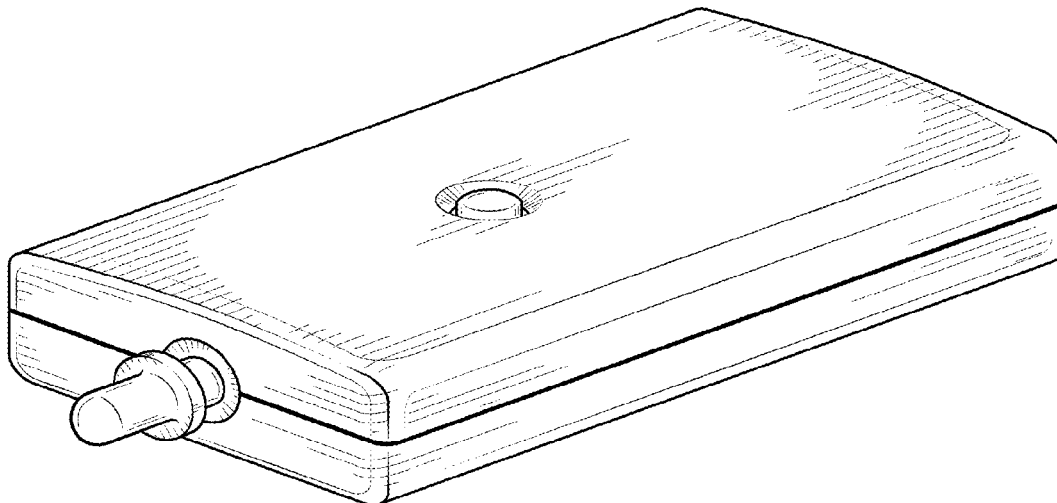
The ornamental design for an illumination device, as shown
and described.

DESCRIPTION

FIG. 1 is a perspective view of an illumination device showing our new design;
FIG. 2 is a right side view thereof;
FIG. 3 is a left side view thereof;
FIG. 4 is a top view thereof;
FIG. 5 is a bottom view thereof;
FIG. 6 is a front view thereof;
FIG. 7 is a back view thereof; and,
FIG. 8 is a front view of the illumination device in its environment.

The ornamental design which is claimed is shown in solid lines in the drawings. The broken lines in the drawings depict environmental structure and form no part of the claimed design.

1 Claim, 4 Drawing Sheets



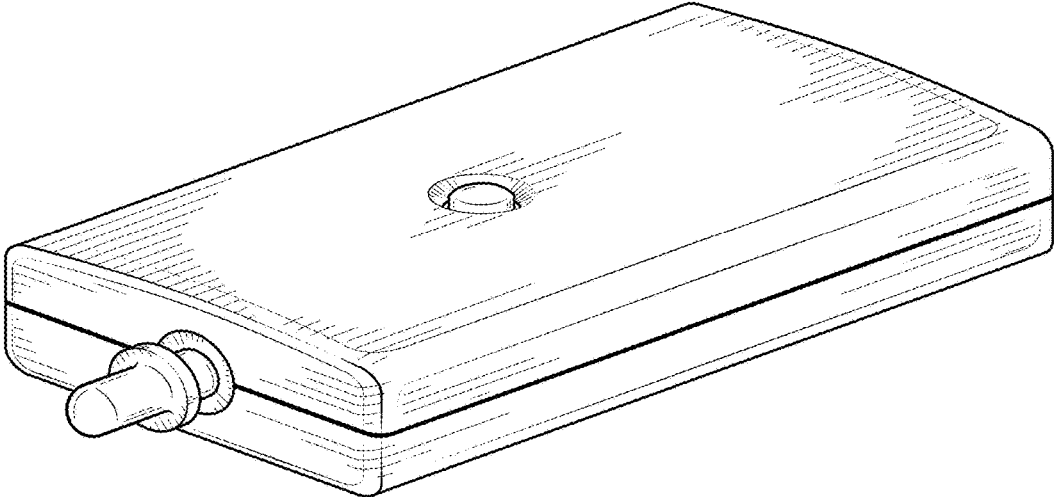


FIG. 1

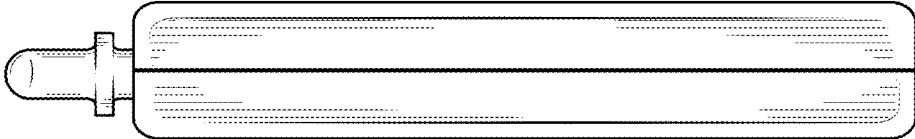


FIG. 2

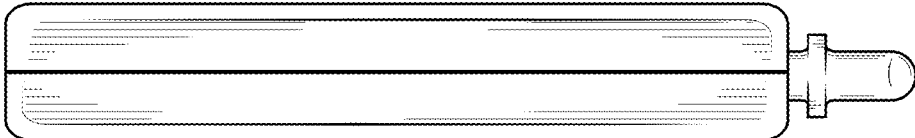


FIG. 3

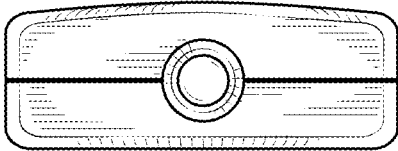


FIG. 4

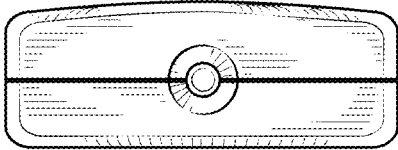


FIG. 5

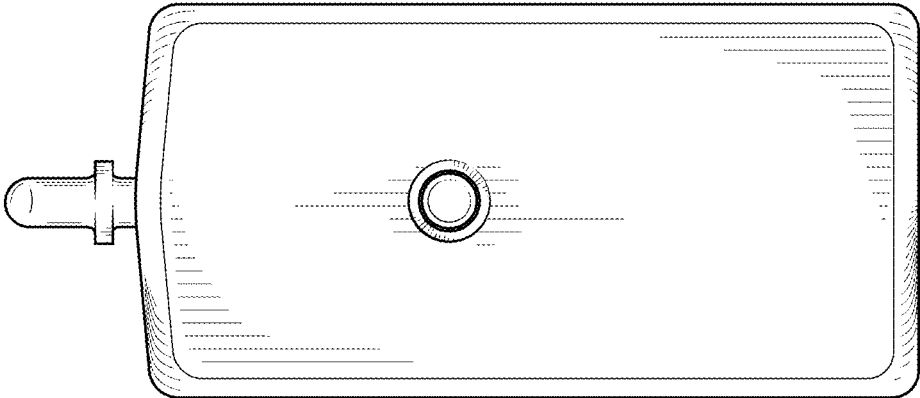


FIG. 6

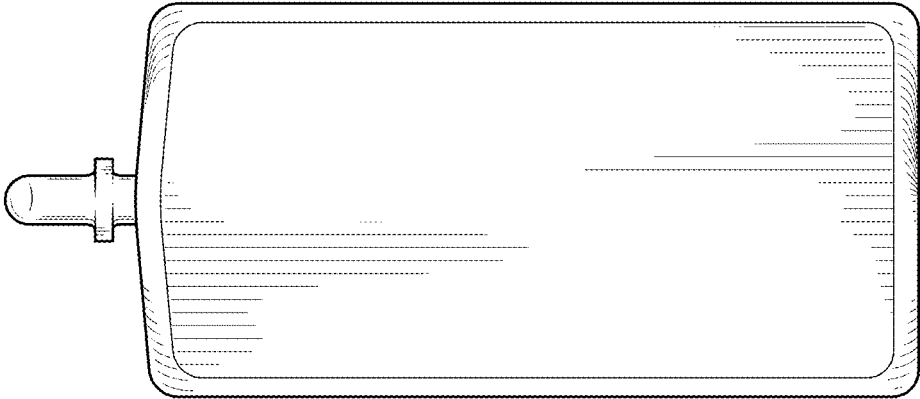


FIG. 7

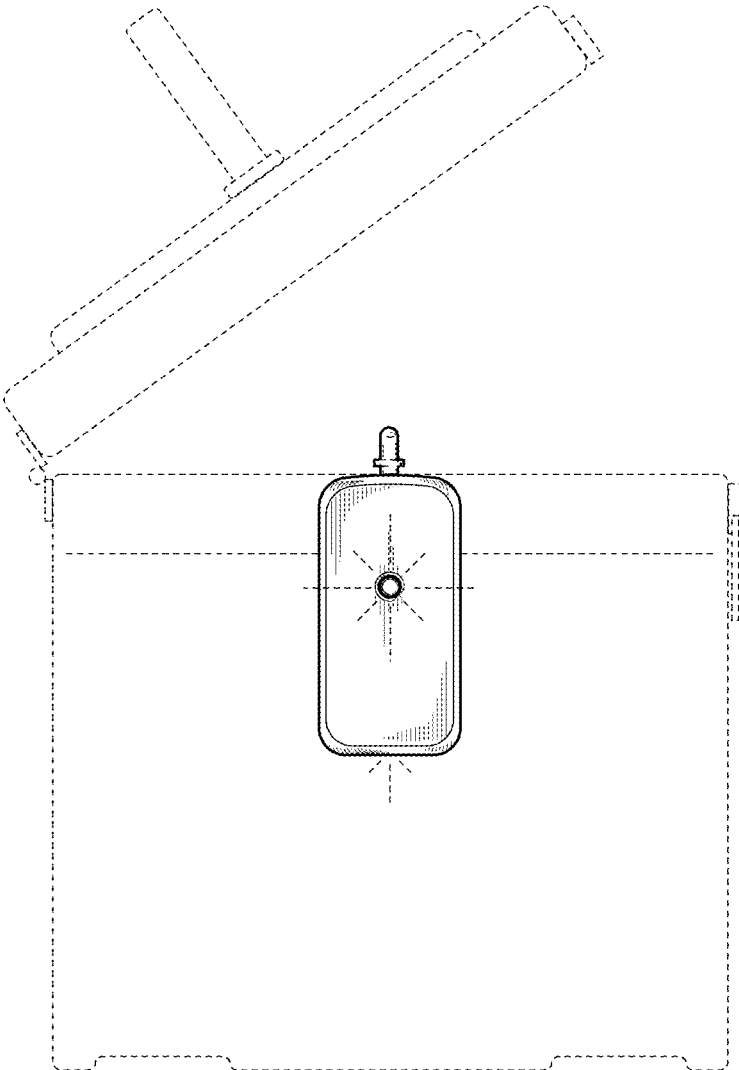


FIG. 8