



US00D803715S

(12) **United States Design Patent**
Lane

(10) **Patent No.:** **US D803,715 S**

(45) **Date of Patent:** **** Nov. 28, 2017**

(54) **WRIST ACCESSORY**

(71) Applicant: **Kevin Lane**, San Diego, CA (US)

(72) Inventor: **Kevin Lane**, San Diego, CA (US)

(**) Term: **15 Years**

(21) Appl. No.: **29/558,927**

(22) Filed: **Mar. 23, 2016**

(51) **LOC (10) Cl.** **11-12**

(52) **U.S. Cl.**
USPC **D11/12**

(58) **Field of Classification Search**

USPC D11/1-40, 43, 79-86, 90-92
CPC A44C 5/0069; A44C 5/00; A44C 5/10;
A44C 5/022; A44C 5/025; A44C 5/142;
A44C 5/145; A44C 5/0007; A44C
5/0061; A44C 5/0076; A44C 5/0084;
A44C 5/0092; A44C 5/2071; A44C
5/2085; A44C 9/0038; A44C 9/0053;
A44C 15/005; A44C 15/0005; A44C
17/001; A44C 17/003; A44C 17/005;
A44C 17/02

See application file for complete search history.

(56) **References Cited**

U.S. PATENT DOCUMENTS

D156,650 S *	12/1949	Pearce	D11/12
D171,744 S *	3/1954	Augustein	D11/25
D191,527 S *	10/1961	Obst	D11/25
D322,227 S *	12/1991	Warhol	D10/32
D334,151 S *	3/1993	Bichi	59/80
D340,871 S *	11/1993	Iwamura	D10/125
D340,879 S *	11/1993	French	D11/3
D497,826 S *	11/2004	Nelson	D11/3

(Continued)

OTHER PUBLICATIONS

Bracelet with Clear Crystals (available online May 13, 2015)
Retrieved from the internet Feb. 15, 2017, retrieved from the

internet URL: https://www.amazon.com/Termichy-Gold-tone-Bracelet-Crystals-Transparent/dp/B00XL4GWSG/ref=sr_1_1?ie=UTF8&qid=1487193198&sr=8-1&keywords=termichy+trendy+fashion+gold.*

Primary Examiner — Garth Rademaker

Assistant Examiner — Richard Kearney

(74) *Attorney, Agent, or Firm* — Buche & Associates, P.C.; John K. Buche; Bryce A. Johnson

(57) **CLAIM**

I claim the ornamental appearance of a wrist accessory, as shown and described.

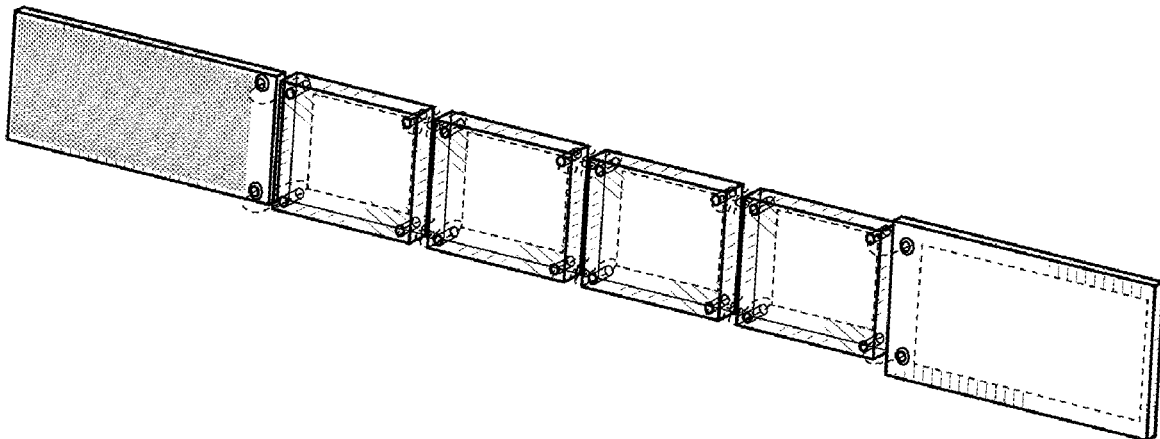
DESCRIPTION

FIG. 1 is a perspective view of a wrist accessory; FIG. 2 is a front view of the wrist accessory of FIG. 1; FIG. 3 is a rear view of the wrist accessory of FIG. 1; FIG. 4 is a right side view of the wrist accessory of FIG. 1; FIG. 5 is a left side view of the wrist accessory of FIG. 1; FIG. 6 is a top view of the wrist accessory of FIG. 1; FIG. 7 is a bottom view of the wrist accessory of FIG. 1; and, FIG. 8 is an environmental view of the wrist accessory of FIG. 1.

The broken lines shown in the drawings between the rectangular portions of the wrist accessory show portions of the wrist accessory that form no part of the claimed design. The broken lines and the area within the broken lines shown on the interior of the four transparent rectangular elements of the wrist accessory, shown in FIGS. 1-3 and 6-8 form no part of the claimed design. The diagonal line shading on the exterior surface of the four transparent rectangular elements indicates that the outside surface of the four transparent rectangular elements form part of the claimed design. The broken lines shown on the larger rectangular element of the wrist accessory and the area inside these broken lines show portions of the wrist accessory that form no part of the claimed design.

The nature and intended use of the claimed wrist accessory is for wearing on a wrist.

1 Claim, 4 Drawing Sheets



(56)

References Cited

U.S. PATENT DOCUMENTS

D509,149 S *	9/2005	Sogoyan	D10/30
7,028,507 B2 *	4/2006	Rapport	A44C 5/003
			63/18

* cited by examiner

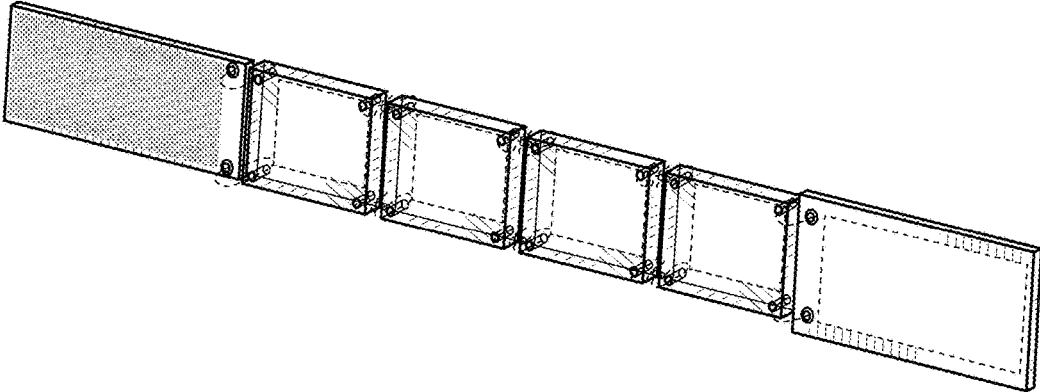


FIG. 1

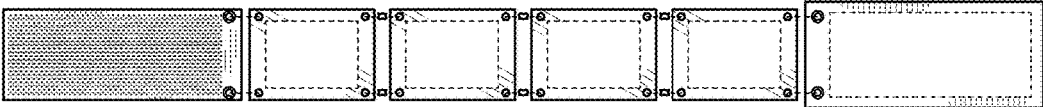


FIG. 2

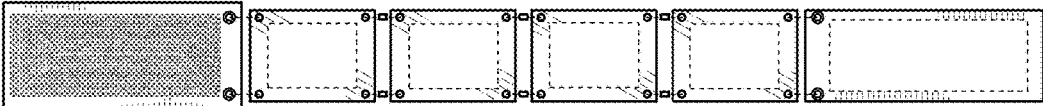


FIG. 3

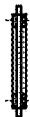


FIG. 4



FIG. 5



FIG. 6



FIG. 7

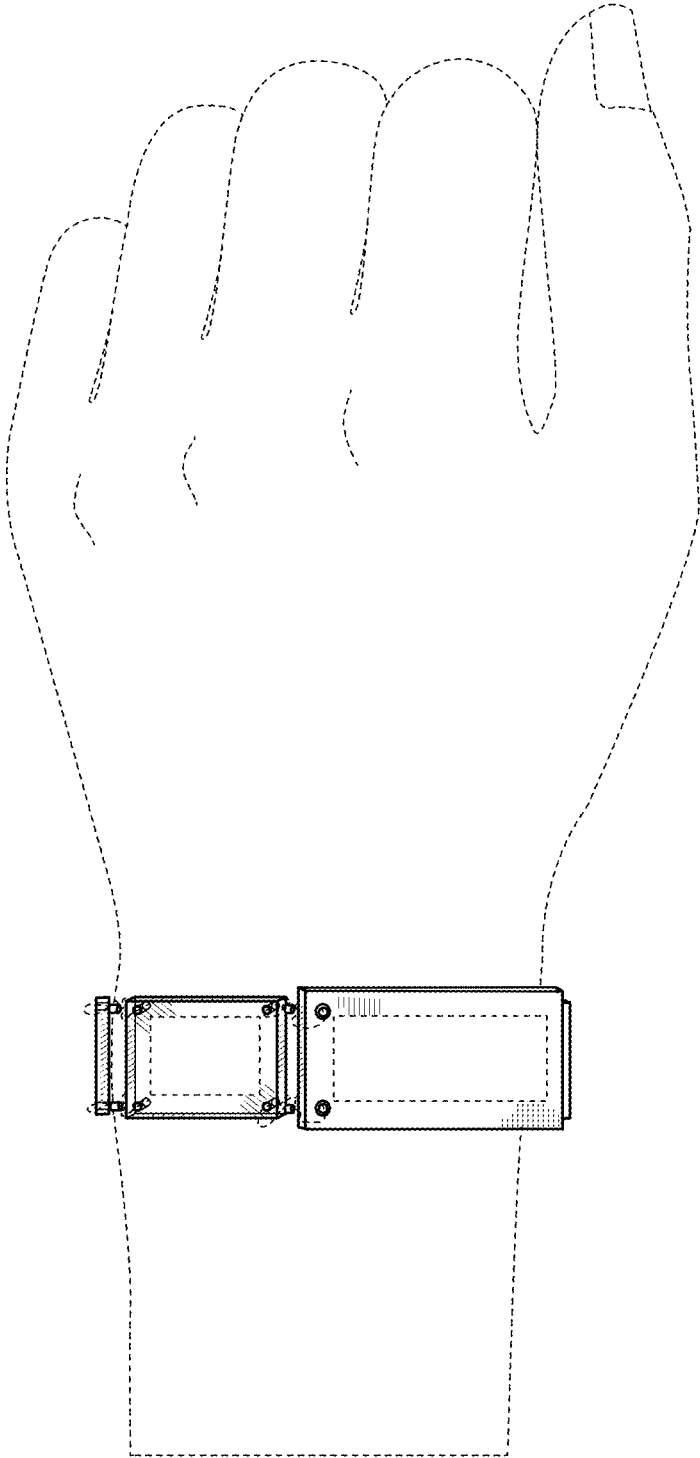


FIG. 8