



US00D796931S

(12) **United States Design Patent** (10) **Patent No.:** **US D796,931 S**
Kousens et al. (45) **Date of Patent:** **** Sep. 12, 2017**

(54) **CUSTOMIZABLE FACE PLATE FOR VISE
JAWS**
(71) Applicant: **Chicago Equipment Leasing Services
Company, La Jolla, CA (US)**
(72) Inventors: **William Kousens, El Cajon, CA (US);
Zachary Kousens, Carlsbad, CA (US);
Tam Nguyen, San Diego, CA (US)**

D385,484 S * 10/1997 Zito D8/396
6,022,010 A 2/2000 Bernstein
D430,783 S * 9/2000 Cummings D8/72
D432,886 S * 10/2000 Hembroff D8/74
6,655,642 B1 * 12/2003 Zearbaugh F16L 3/04
248/65
D562,124 S * 2/2008 Hargis D8/394
D603,781 S * 11/2009 Jimenez B60R 11/00
D12/223
D606,379 S * 12/2009 Hughes D8/394
D730,142 S * 5/2015 Shapiro D8/72

(**) Term: **15 Years**

* cited by examiner

(21) Appl. No.: **29/550,186**

Primary Examiner — David Muller
(74) *Attorney, Agent, or Firm* — Buche & Associates,
P.C.; John K. Buche; Bryce A. Johnson

(22) Filed: **Dec. 30, 2015**

(51) **LOC (10) Cl.** **08-05**

(52) **U.S. Cl.**
USPC **D8/74**

(58) **Field of Classification Search**
USPC D8/71-74, 394-399, 59; 248/63, 72,
248/74.1, 689, 124.2; 81/487, 385, 386,
81/388-390; 269/3, 4, 6, 143, 165, 240,
269/243, 246-249, 254 R, 147-149;
29/256, 257, 276; 408/103, 104-109
CPC B25B 1/00; B25B 5/00
See application file for complete search history.

(57) **CLAIM**

We claim the ornamental design of a customizable face plate
for vise jaws, as shown and described.

DESCRIPTION

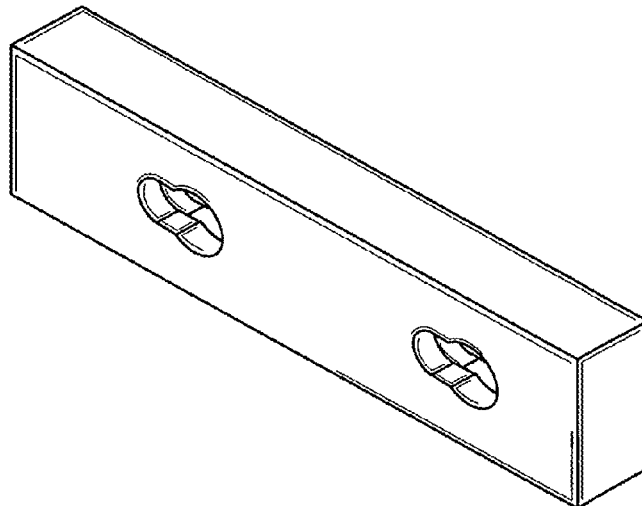
FIG. 1 is a front perspective of a customizable face plate for
vise jaws.
FIG. 2 is a back perspective of the customizable face plate
for vise jaws of FIG. 1.
FIG. 3 is a front view of the customizable face plate for vise
jaws of FIG. 1.
FIG. 4 is a back view of the customizable face plate for vise
jaws of FIG. 1.
FIG. 5 is a side view of the customizable face plate for vise
jaws of FIG. 1, the opposite side view being identical.
FIG. 6 is a cross section of the customizable face plate for
vise jaws taken along line 6-6 in FIG. 5; and,
FIG. 7 is a cross section of the customizable face plate for
vise jaws taken along line 7-7 in FIG. 4.
In the claims, items shown as broken lines form no part of
the claimed design.

(56) **References Cited**

U.S. PATENT DOCUMENTS

2,810,600 A 10/1957 Kendrick
3,077,346 A 2/1963 Lassy
4,597,690 A * 7/1986 Girard F16B 7/04
403/312
4,898,371 A 2/1990 Mills et al.
D318,409 S * 7/1991 Garrett D8/72
5,078,372 A 1/1992 Fitzpatrick
5,442,844 A * 8/1995 Swann B23Q 3/103
269/242
D377,311 S * 1/1997 Stiegler D8/396
D380,953 S * 7/1997 Norgaard D8/71

1 Claim, 3 Drawing Sheets



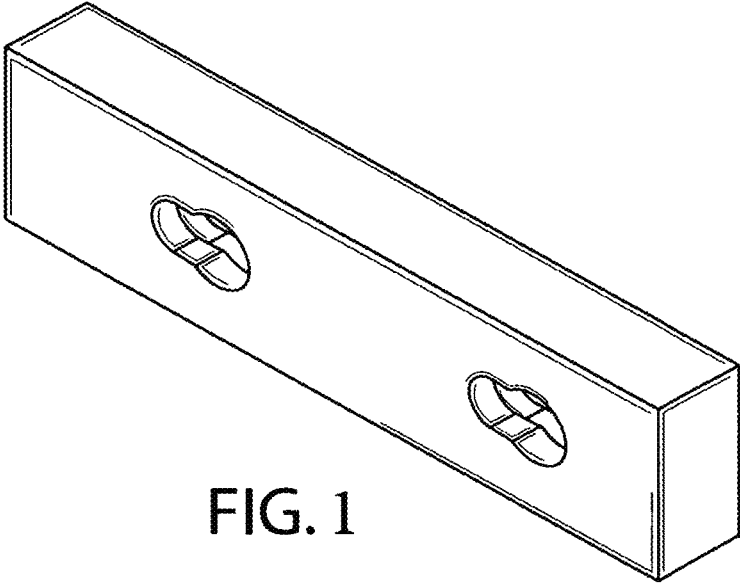


FIG. 1

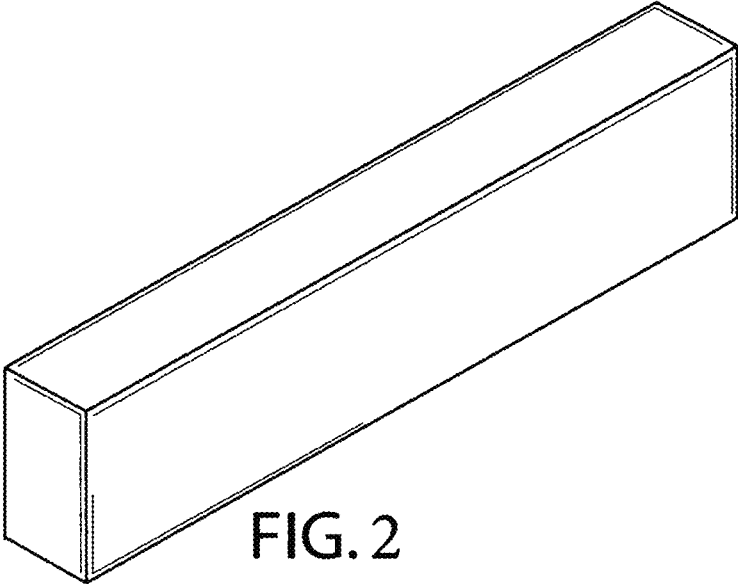


FIG. 2



FIG. 3

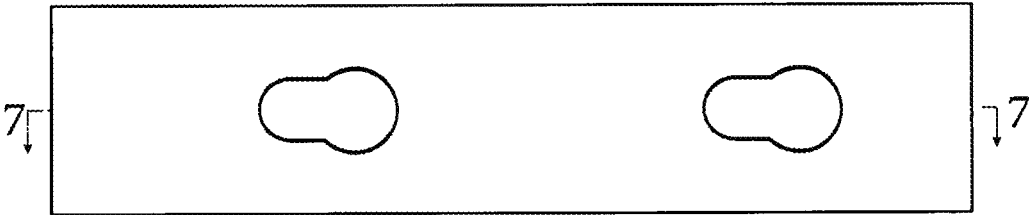


FIG. 4



FIG. 5

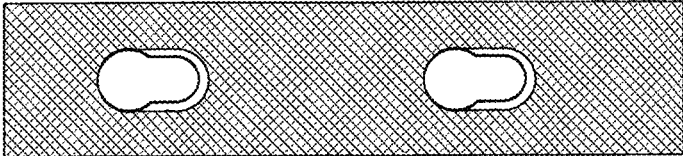


FIG. 6

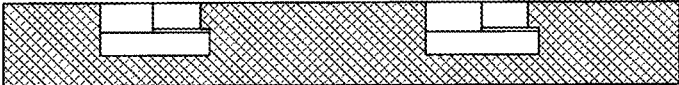


FIG. 7