



US00D794858S

(12) **United States Design Patent**
Ferlauto et al.

(10) **Patent No.:** **US D794,858 S**

(45) **Date of Patent:** **** Aug. 15, 2017**

- (54) **LASER LIGHT PROJECTOR**
- (71) Applicant: **Prime Wire & Cable, Inc.**, La Jolla, CA (US)
- (72) Inventors: **Bill Ferlauto**, Mooresville, NC (US);
Jeff Millar-Sax, Yucaipa, CA (US);
Jerzy Marcinkowski, Corona, CA (US);
Liang-Hsu Kuo, Dongguan (CN)

7,004,588	B2	2/2006	Sadler	
D542,959	S *	5/2007	Yao	D26/63
D559,091	S *	1/2008	Skorka	D8/367
D574,532	S *	8/2008	Lee	D26/63
D625,871	S *	10/2010	Huang	D26/63
D659,871	S *	5/2012	Lee	D26/63
8,662,707	B2	3/2014	Scott et al.	

(Continued)

FOREIGN PATENT DOCUMENTS

CN	2211610	Y	11/1995
CN	102644852	A	8/2012

(Continued)

Primary Examiner — Brian N Vinson
(74) *Attorney, Agent, or Firm* — Buche & Associates, P.C.; John K. Buche; Bryce A. Johnson

- (**) Term: **15 Years**
- (21) Appl. No.: **29/555,230**

- (22) Filed: **Feb. 19, 2016**
- (51) **LOC (10) Cl.** **26-03**
- (52) **U.S. Cl.** **D26/63**
USPC **D26/63**
- (58) **Field of Classification Search**
USPC D26/1, 24, 61, 63, 65, 85, 92
CPC F21V 21/14; F21V 15/01; F21V 14/02;
F21V 21/30; F21V 21/00; F21V 14/00;
F21S 8/00; F21S 8/003; F21S 8/043;
F21Y 2105/001
See application file for complete search history.

(57) **CLAIM**

I claim the ornamental design for a “laser light projector,” as shown.

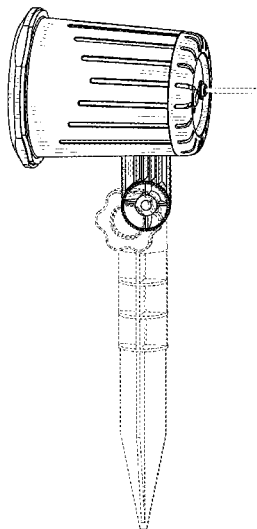
DESCRIPTION

FIG. 1 is a perspective view of the laser light projector; and, FIG. 2 is a left side view of the laser light projector of FIG. 1; FIG. 3 is a right side view of the laser light projector of FIG. 1; FIG. 4 is a front side view of the laser light projector of FIG. 1; FIG. 5 is a back side view of the laser light projector of FIG. 1; FIG. 6 is a top view of the laser light projector of FIG. 1; FIG. 7 is a bottom view of the laser light projector of FIG. 1; and, FIG. 8 is an environmental view of the laser light projector of FIG. 1. The broken lines in the views represent portions of the projector which form no part of the claimed design.

(56) **References Cited**
U.S. PATENT DOCUMENTS

2,493,238	A	10/1945	Eddy	
2,607,269	A	8/1952	Elsaesser	
3,541,323	A	11/1970	Stewart et al.	
3,635,545	A	1/1972	VanKerkhove et al.	
3,767,299	A	10/1973	Fisher	
3,851,961	A	12/1974	Winzer	
4,109,304	A	8/1978	Khvalovsky et al.	
4,779,176	A	10/1988	Bornhorst	
5,082,447	A	1/1992	Hinkle	
5,450,148	A	9/1995	Shu et al.	
D414,579	S *	9/1999	Denison	D26/63
6,623,126	B2	9/2003	Sekiguchi et al.	
6,769,778	B1	8/2004	Lloyd	

1 Claim, 4 Drawing Sheets



(56)

References Cited

U.S. PATENT DOCUMENTS

D716,982	S	11/2014	Corey	
8,894,216	B2	11/2014	Reichow et al.	
D773,707	S	* 12/2016	Lentine	D26/63
2005/0195456	A1	9/2005	Houde-Walter et al.	
2007/0291477	A1	12/2007	Khubani	
2009/0180283	A1	7/2009	Chu	
2010/0165297	A1	7/2010	Mizushima et al.	
2012/0305230	A1	12/2012	Breen, IV et al.	

FOREIGN PATENT DOCUMENTS

CN	202972945	U	6/2013
EP	1085307	A1	3/2001

* cited by examiner

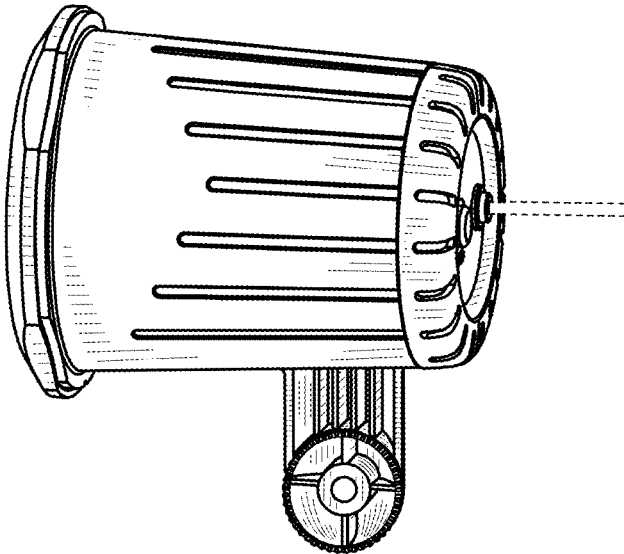


FIG. 1

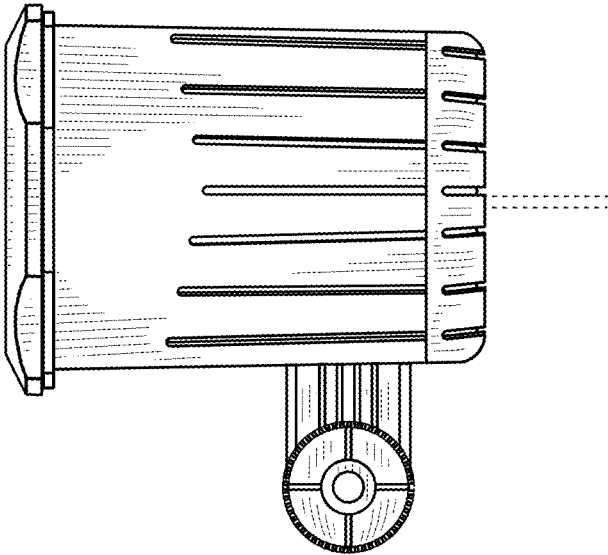


FIG. 2

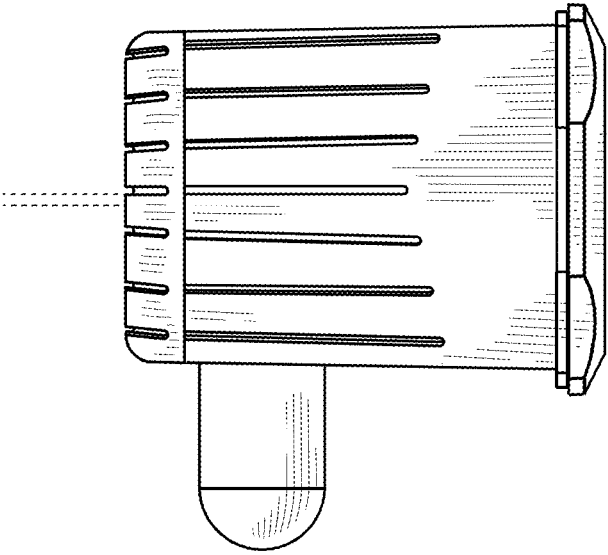


FIG. 3

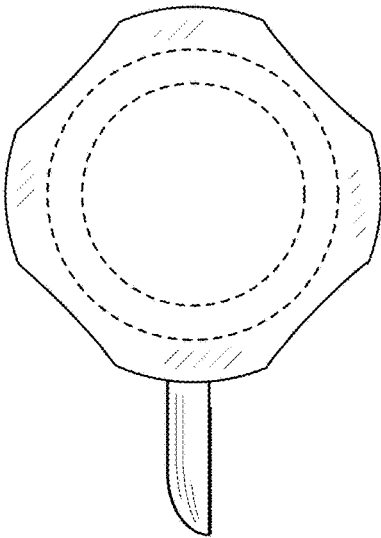


FIG. 4

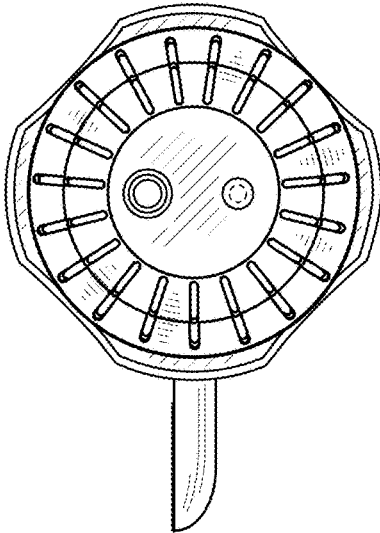


FIG. 5

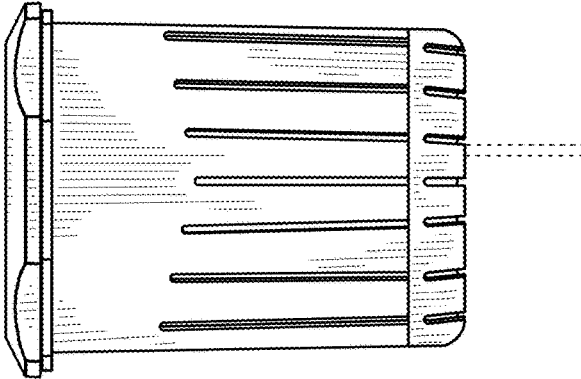


FIG. 6

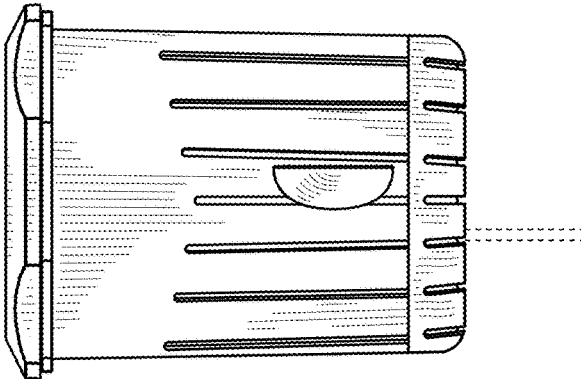


FIG. 7

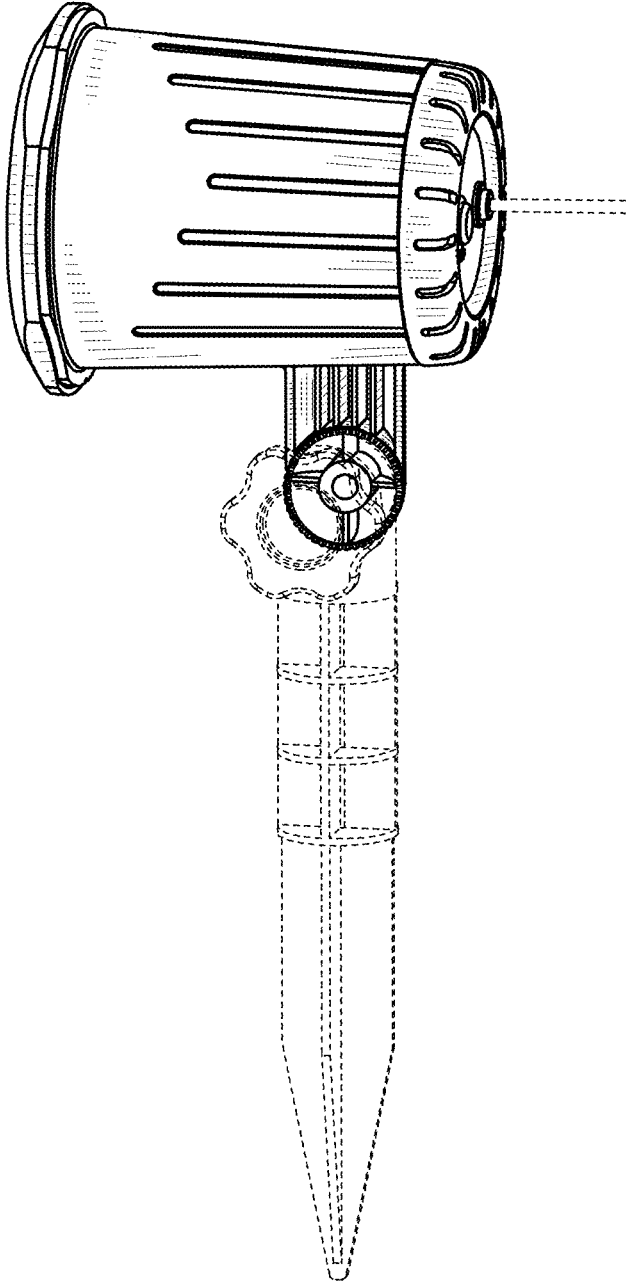


FIG. 8