



US00D781954S

(12) **United States Design Patent**  
**Wilfer**

(10) **Patent No.:** **US D781,954 S**

(45) **Date of Patent:** **\*\* Mar. 21, 2017**

(54) **PEDAL BOARD**

FOREIGN PATENT DOCUMENTS

(71) Applicant: **Warwick GmbH Co. Music Equipment KG**, La Jolla, CA (US)

DE 003124577-0001 \* 5/2016  
DE 003124577-0002 \* 5/2016

(Continued)

(72) Inventor: **Hans-Peter Wilfer**, Markneukirchen (DE)

OTHER PUBLICATIONS

(\*\*) Term: **15 Years**

Presse: Der sichere Hafen für Deine Effektpedale, posted at Blog. adamhall.com, posted on Jan. 31, 2014, [online], [site visited Nov. 7, 2016]. Available from Internet, <URL: <http://blog.adamhall.com/de/2014/01/31/presse-der-sichere-hafen-fuer-deine-effektpedale-das-neue-universale-palmer-pedalboard-pedalbay-60/>>.\*

(Continued)

(21) Appl. No.: **29/554,921**

(22) Filed: **Feb. 17, 2016**

(51) **LOC (10) Cl.** ..... **17-03**

(52) **U.S. Cl.**

USPC ..... **D17/20**

(58) **Field of Classification Search**

USPC ..... 84/20, 21, 177, 179, 184, 189, 216, 236, 84/237, 239, 384, 402, 422.1, 746; 211/41.17; 364/802; D1/106; D6/716; D13/167; D17/1, 7, 9, 10, 20, 22, 99; D21/405, 406, 408, 409; D24/194  
CPC .. A47G 27/0212; G10G 7/005; G10H 1/0091; G10H 1/32; G10H 1/34; G10H 1/348; G10H 3/186; G10C 3/02; G10C 3/00; H04R 1/08; H04R 17/02; H04R 19/04  
See application file for complete search history.

*Primary Examiner* — Thomas Johannes

*Assistant Examiner* — Catherine Ho

(74) *Attorney, Agent, or Firm* — Buche & Associates, P.C.; John K. Buche; Bryce A. Johnson

(57)

**CLAIM**

I claim the ornamental design for a “pedal board,” as shown.

**DESCRIPTION**

FIG. 1 is a perspective view of a pedal board; and, FIG. 2 is a front view of the pedal board; FIG. 3 is a back view of the pedal board; FIG. 4 is a right-side view of the pedal board; FIG. 5 is a left-side view of the pedal board; FIG. 6 is a top-plan view of the pedal board; and, FIG. 7 is a bottom-plan view of the pedal board.

Broken lines illustrate environmental features and form no part of the claimed design.

The nature and intended use of the article in which the design is embodied is a pedal board for supporting effects pedals.

(56)

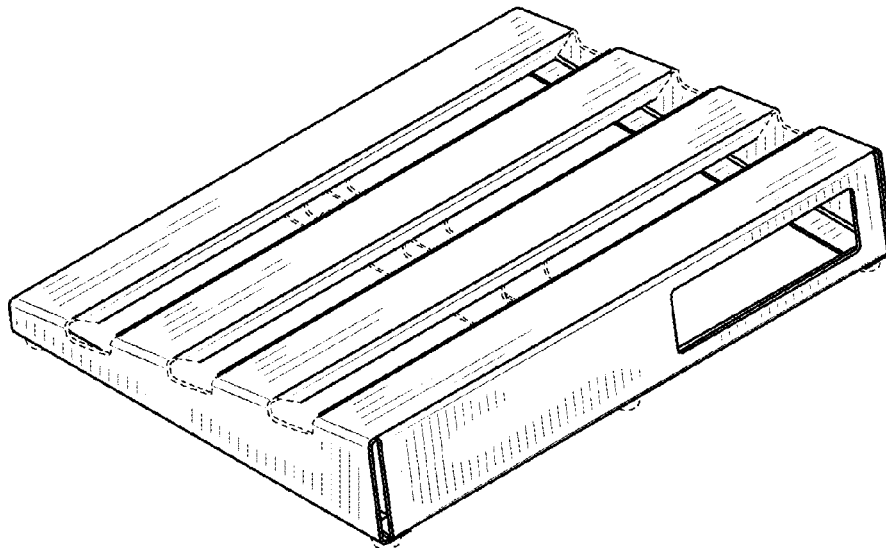
**References Cited**

U.S. PATENT DOCUMENTS

118,952 A 9/1871 Lewis  
482,536 A 9/1892 Zagelmeyer  
635,423 A 10/1899 Chase  
1,882,960 A \* 10/1932 Sater ..... G10B 1/00  
84/354  
3,088,055 A 4/1963 Schwing  
3,261,520 A 7/1966 Andersson  
3,420,015 A 1/1969 Costanzo, Jr.

(Continued)

**1 Claim, 3 Drawing Sheets**



(56)

**References Cited**

U.S. PATENT DOCUMENTS

3,526,296 A 9/1970 Stevens  
 3,913,291 A 10/1975 Dulien et al.  
 4,075,683 A 2/1978 Johansson et al.  
 D266,281 S 9/1982 Ellis et al.  
 4,488,468 A \* 12/1984 Peterson ..... G10H 1/34  
 200/86.5  
 4,608,798 A 9/1986 Spiers  
 5,542,549 A 8/1996 Siemon et al.  
 5,866,829 A \* 2/1999 Pecoraro ..... G10H 1/32  
 84/177  
 6,215,055 B1 4/2001 Saravis  
 6,459,023 B1 10/2002 Chandler  
 6,538,185 B1 \* 3/2003 Stratton ..... G10H 1/348  
 84/422.1  
 7,820,904 B1 \* 10/2010 Robling ..... G10H 1/348  
 84/600  
 8,642,870 B1 \* 2/2014 Rosa ..... A47G 27/0212  
 84/453  
 2004/0182230 A1 \* 9/2004 Vlant ..... G10H 1/348  
 84/662  
 2004/0250673 A1 \* 12/2004 Salerno ..... G10H 1/32  
 84/746  
 2006/0120550 A1 \* 6/2006 McCann ..... H04R 1/08  
 381/363

2011/0303077 A1 \* 12/2011 Vinciguerra ..... G10H 1/0091  
 84/746  
 2015/0325224 A1 \* 11/2015 Manosa Ripoll ..... G10H 1/32  
 84/444  
 2016/0171959 A1 \* 6/2016 Canivell Grifols ..... G10G 5/00  
 84/453

FOREIGN PATENT DOCUMENTS

WO WO94/20377 9/1994  
 WO WO95/26305 10/1995

OTHER PUBLICATIONS

Voici ma nouvelle creation grace aux tablettex GORM IKEA, posted at Guitariste.com, posted on Aug. 2, 2014, [online], [site visited Nov. 7, 2016]. Available from Internet, <URL: <http://www.guitariste.com/forums/le-coin-du-bricoleur.pedalboard-ikea-gorm,440537,50.html>>.\*  
 Pedalboard finished, posted at Muzique.com, posted on Jan. 2, 2011, [online], [site visited Nov. 7, 2016]. Available from Internet, <URL: <http://www.muzique.com/news/pedalboard-finished/>>.\*  
 Digital Audio Labs Introduces the Stompbox Riser and Extend, posted at Premierguitar.com, posted on Jul. 9, 2014, [online], [site visited Nov. 7, 2016]. Available from Internet, <URL: <http://www.premierguitar.com/articles/21089-digital-audio-labs-introduces-the-stompbox-riser-and-extend>>.\*

\* cited by examiner

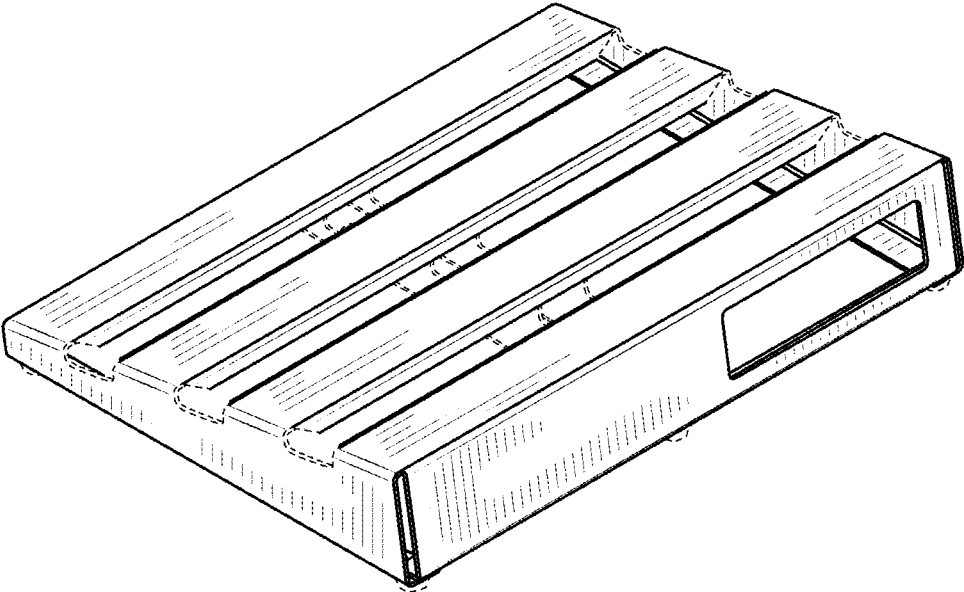


FIG. 1

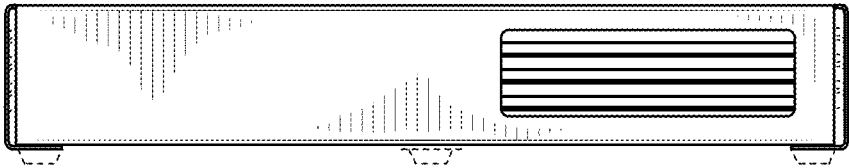


FIG. 2

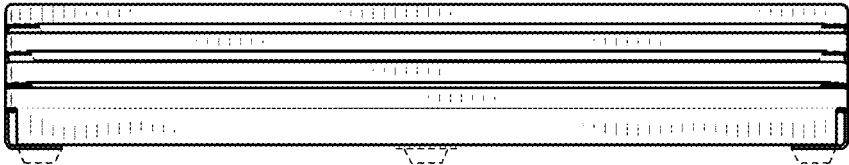


FIG. 3

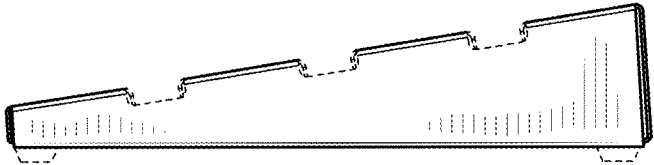


FIG. 4

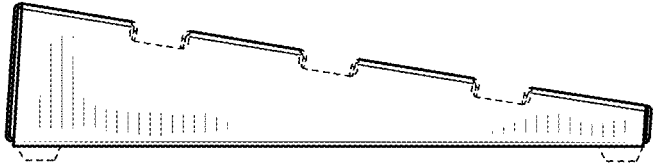


FIG. 5

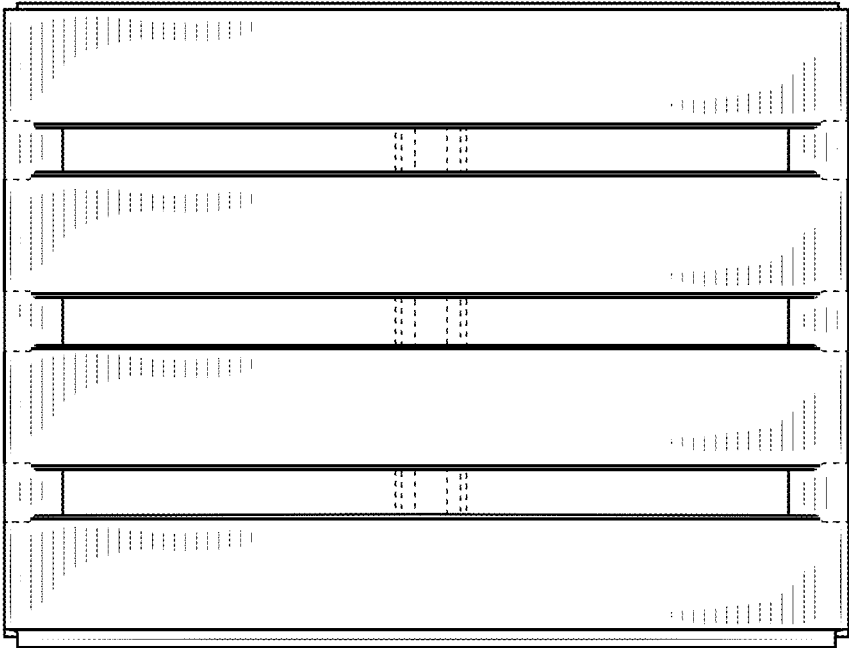


FIG. 6

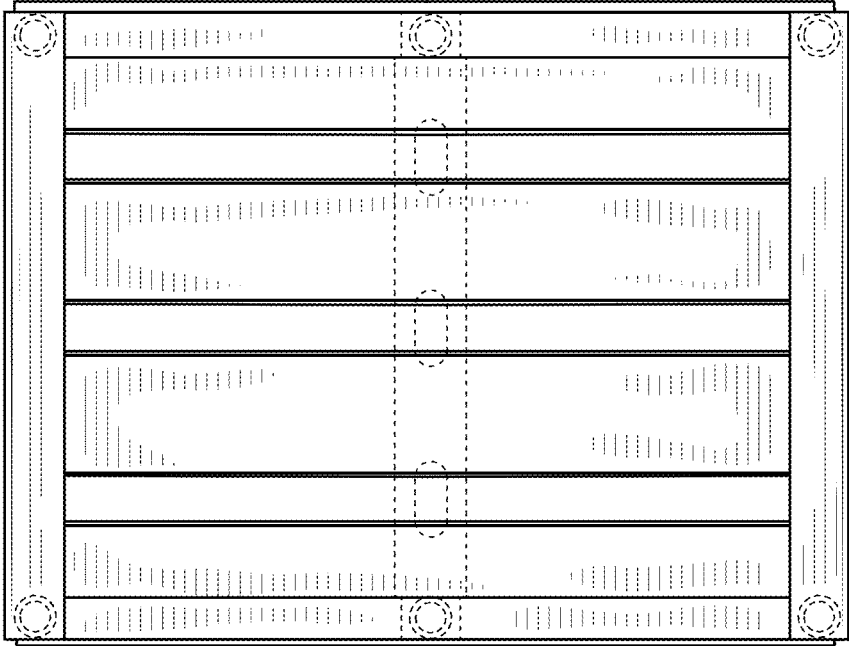


FIG. 7