



US00D780510S

(12) **United States Design Patent** (10) **Patent No.:** **US D780,510 S**
Bornt (45) **Date of Patent:** **** Mar. 7, 2017**

- (54) **PORTABLE BEVERAGE BREWING MACHINE** 2,885,290 A 5/1959 Krasker
3,579,351 A * 5/1971 Wege et al. B65D 85/808
426/82
- (71) Applicant: **Alan J. Bornt**, Holtville, CA (US) 3,971,305 A 7/1976 Daswick
4,176,588 A * 12/1979 Baron A47J 31/02
210/469
- (72) Inventor: **Alan J. Bornt**, Holtville, CA (US) D271,215 S * 11/1983 Hinkle D19/66
4,419,232 A * 12/1983 Armtyr E03C 1/262
210/164
- (**) Term: **15 Years** 4,571,191 A * 2/1986 Graube G09B 23/12
248/94
- (21) Appl. No.: **29/537,666** RE32,950 E * 6/1989 Graube G09B 23/12
248/94
- (22) Filed: **Aug. 27, 2015**

(Continued)

Related U.S. Application Data

- (63) Continuation of application No. 14/740,167, filed on Jun. 15, 2015, now Pat. No. 9,439,531.
- (51) **LOC (10) Cl.** **07-99**
- (52) **U.S. Cl.**
USPC **D7/400; D7/397**
- (58) **Field of Classification Search**
USPC D7/399, 400, 667, 700, 515, 397, 506,
D7/507, 668; D9/607, 429; D23/209;
99/322, 295; 426/433
CPC . B65D 25/24; B65D 85/8046; B65D 85/8043;
A47J 31/0636; A47J 27/16; A47J 31/407;
A47J 31/02; A47J 31/0626; A47G 19/00;
A47G 21/04; A47G 19/16; E03C 1/262
See application file for complete search history.

References Cited

- (56) **U.S. PATENT DOCUMENTS**
1,501,073 A * 7/1924 Stead B01D 29/085
210/478
1,560,471 A 11/1925 Horne
2,384,057 A * 9/1945 Wetherell B01D 35/02
210/445
2,743,664 A 5/1956 Dale
2,791,148 A * 5/1957 Maisch F42B 33/0228
141/331

FOREIGN PATENT DOCUMENTS

- EP 0631948 4/1995
Primary Examiner — Marianne Pandozzi
(74) *Attorney, Agent, or Firm* — Buche & Associates,
P.C.; John K. Buche; Bryce A. Johnson

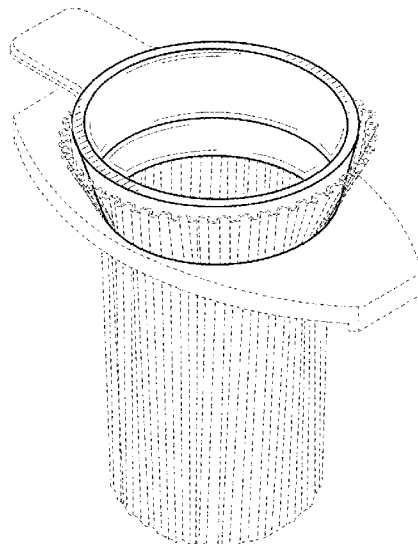
CLAIM

(57) The ornamental design for a portable beverage brewing machine, as shown and described.

DESCRIPTION

FIG. 1 is a perspective view of a portable beverage brewing machine showing my new design;
 FIG. 2 is a left side view thereof;
 FIG. 3 is a right side view thereof;
 FIG. 4 is a front view thereof;
 FIG. 5 is a rear view thereof;
 FIG. 6 is a top plan view thereof;
 FIG. 7 is a bottom plan view thereof; and,
 FIG. 8 is an exploded perspective view thereof.
 The broken lines in the drawings depict portions of the portable beverage brewing machine that form no part of the claimed design.

1 Claim, 5 Drawing Sheets



(56)

References Cited

U.S. PATENT DOCUMENTS

5,125,327 A * 6/1992 Winnington-Ingram A47G 19/14
99/306
5,921,296 A * 7/1999 Porter B67C 11/02
141/331
6,138,551 A 10/2000 Bauer et al.
D447,911 S * 9/2001 Jørgensen D7/400
6,298,771 B1 * 10/2001 Calvento A47J 31/02
99/306
6,844,015 B2 * 1/2005 Yuguchi B65D 85/8043
206/0.5
D562,091 S * 2/2008 Ben Shlomo D7/700
D575,105 S * 8/2008 Gauss D7/397
D576,848 S * 9/2008 Williams D7/700
7,926,414 B1 4/2011 Wolcott et al.
D657,637 S * 4/2012 Gascoine D7/700
D690,337 S * 9/2013 Edwards D15/145
8,689,987 B2 * 4/2014 Lewis A61J 9/00
141/322
D736,372 S * 8/2015 Anderson D24/133
D764,864 S * 8/2016 Hertaus D7/400
2004/0045443 A1 * 3/2004 Lazaris B65D 85/8043
99/279
2005/0217213 A1 10/2005 Lozinski et al.
2011/0303094 A1 12/2011 Lown
2012/0183659 A1 7/2012 Hulett et al.
2012/0321769 A1 12/2012 Otto

* cited by examiner

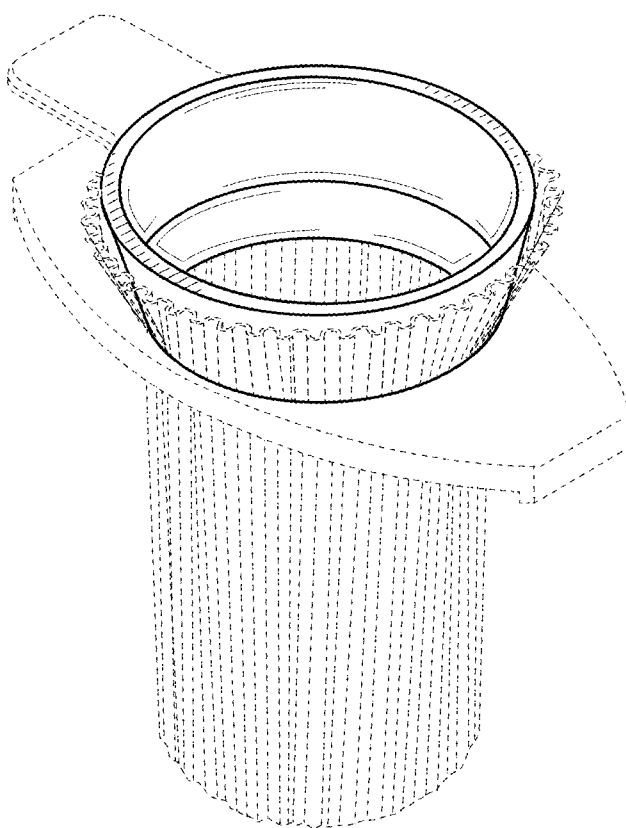


FIG. 1

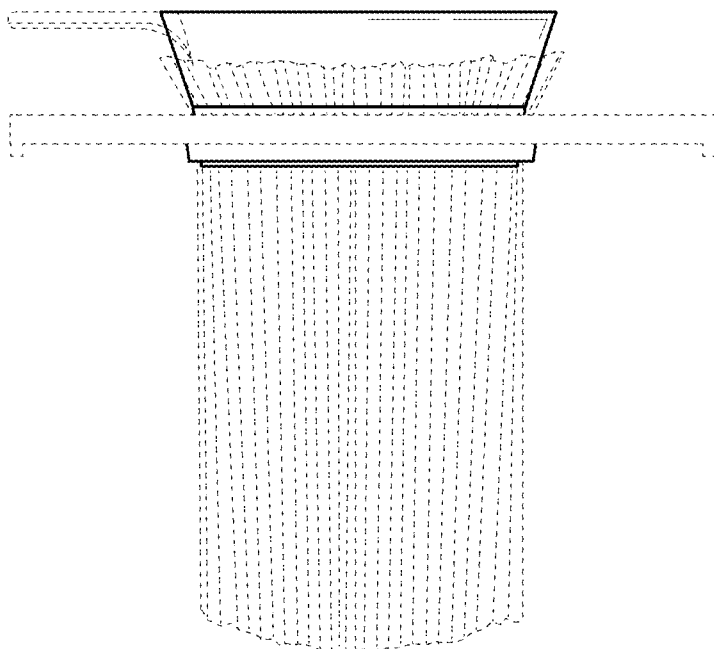


FIG. 2

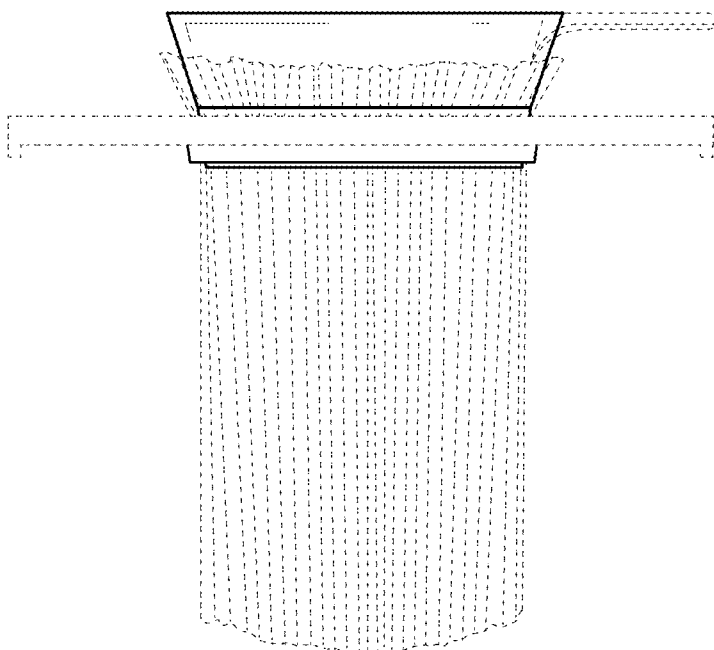


FIG. 3

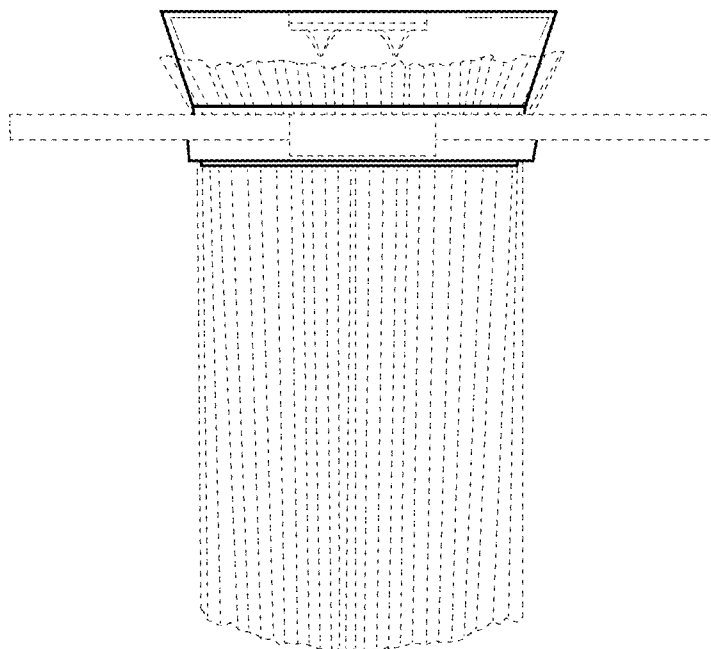


FIG. 4

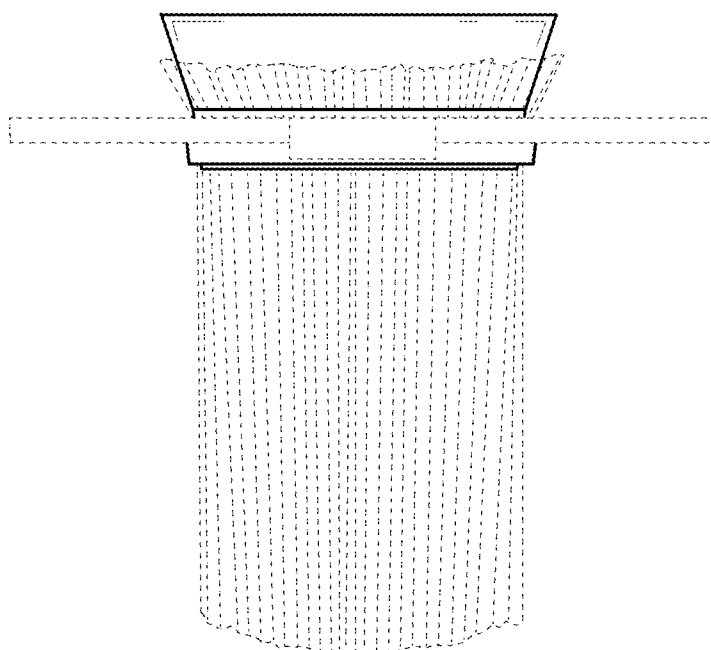


FIG. 5

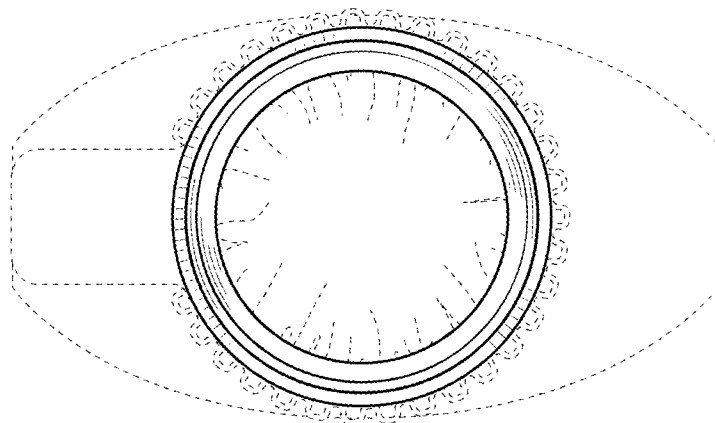


FIG. 6

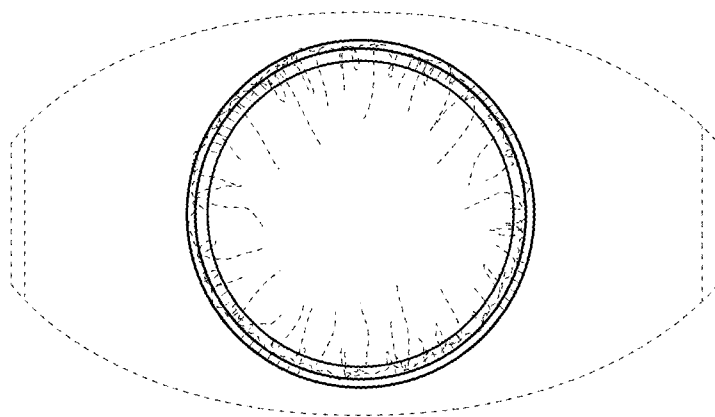


FIG. 7

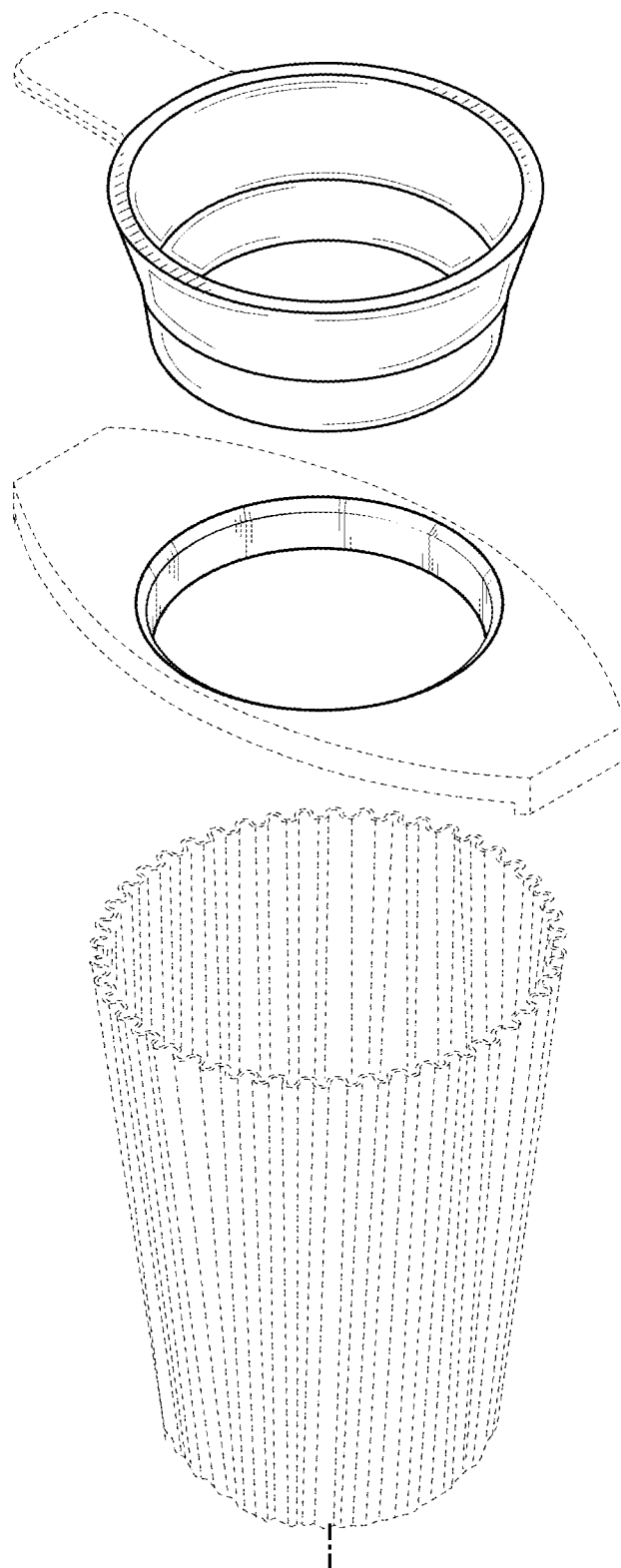


FIG. 8