



US00D778237S

(12) **United States Design Patent** (10) **Patent No.:** **US D778,237 S**
Medley et al. (45) **Date of Patent:** **** Feb. 7, 2017**

(54) **MECHANICAL PLUG**

Primary Examiner — Holly Baynham

(71) Applicants: **Mark Medley**, L.A., CA (US); **Jeff Millar-Sax**, Yucaipa, CA (US); **Gerry Bateman**, Pinehurst, FL (US); **Cynthia Marvel**, Clearwater, FL (US); **Meng Choo Loh**, Los Angeles, CA (US)

Assistant Examiner — Rhea Shields

(74) *Attorney, Agent, or Firm* — Buche & Associates, P.C.; John K. Buche

(72) Inventors: **Mark Medley**, L.A., CA (US); **Jeff Millar-Sax**, Yucaipa, CA (US); **Gerry Bateman**, Pinehurst, FL (US); **Cynthia Marvel**, Clearwater, FL (US); **Meng Choo Loh**, Los Angeles, CA (US)

(57) **CLAIM**

We claim the ornamental design of a mechanical plug, as shown and described.

(73) Assignee: **Prime Wire & Cable, Inc.**, City of Industry, CA (US)

DESCRIPTION

(**) Term: **14 Years**

This application claims priority to U.S. patent application Ser. No. 13/385,616, filed Jan 14, 2013.

(21) Appl. No.: **29/443,210**

FIG. 1 is a top view of the mechanical plug.

(22) Filed: **Mar. 29, 2013**

FIG. 2 is a back view of the mechanical plug.

Related U.S. Application Data

FIG. 3 is a front view of the mechanical plug.

(63) Continuation of application No. 13/385,616, filed on Jan. 14, 2013, now abandoned.

FIG. 4 is a bottom view of the mechanical plug.

(51) **LOC (10) CL.** **13-03**

FIG. 5 is a left-side view of the mechanical plug.

(52) **U.S. Cl.**

FIG. 6 is a right-side view of the mechanical plug.

USPC **D13/137.2**

FIG. 7 is a top view of the mechanical plug.

(58) **Field of Classification Search**

FIG. 8 is a back view of the mechanical plug.

USPC D13/137.1–137.4, 138.2, 138.1, D13/139.1–139, 160, 168; 307/141, 307/141.4; 200/33 R, 38 R, 38 F, 38 A; D10/40

FIG. 9 is a front view of the mechanical plug.

See application file for complete search history.

FIG. 10 is a bottom view of the mechanical plug.

(56) **References Cited**

FIG. 11 is a left-side view of the mechanical plug.

U.S. PATENT DOCUMENTS

D352,472 S * 11/1994 Chen D10/40
D534,087 S * 12/2006 Stekelenburg D10/40

FIG. 12 is a right-side view of the mechanical plug.

(Continued)

FIG. 13 is a bottom view of the mechanical plug.

FIG. 14 is a back view of the mechanical plug.

FIG. 15 is a front view of the mechanical plug.

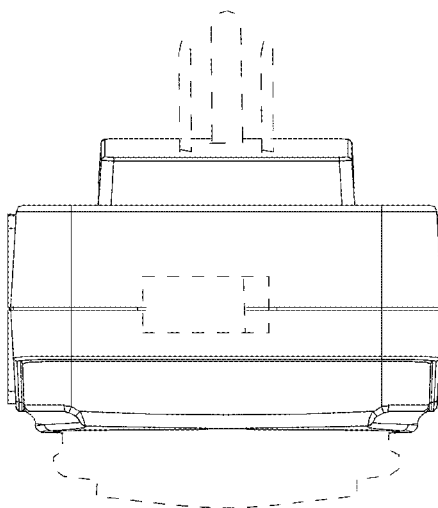
FIG. 16 is a top view of the mechanical plug.

FIG. 17 is a left-side view of the mechanical plug; and,

FIG. 18 is a right-side view of the mechanical plug.

In FIGS. 1-6 the mechanical plug is shown with a break in its length. In the drawings, the broken lines depict unclaimed subject matter only and form no part of the claimed design.

1 Claim, 18 Drawing Sheets



(56)

References Cited

U.S. PATENT DOCUMENTS

D557,620	S	*	12/2007	Stekelenburg	D10/40
D565,434	S	*	4/2008	Stekelenburg	D10/40
D582,794	S	*	12/2008	Stekelenburg	D10/40
D582,795	S	*	12/2008	Stekelenburg	D10/40
D584,690	S	*	1/2009	Hsiung	D13/138.1
D620,816	S	*	8/2010	Stekelenburg	D10/40
D633,869	S	*	3/2011	Aromin et al.	D13/138.1
D664,931	S	*	8/2012	Chang	D13/168

* cited by examiner

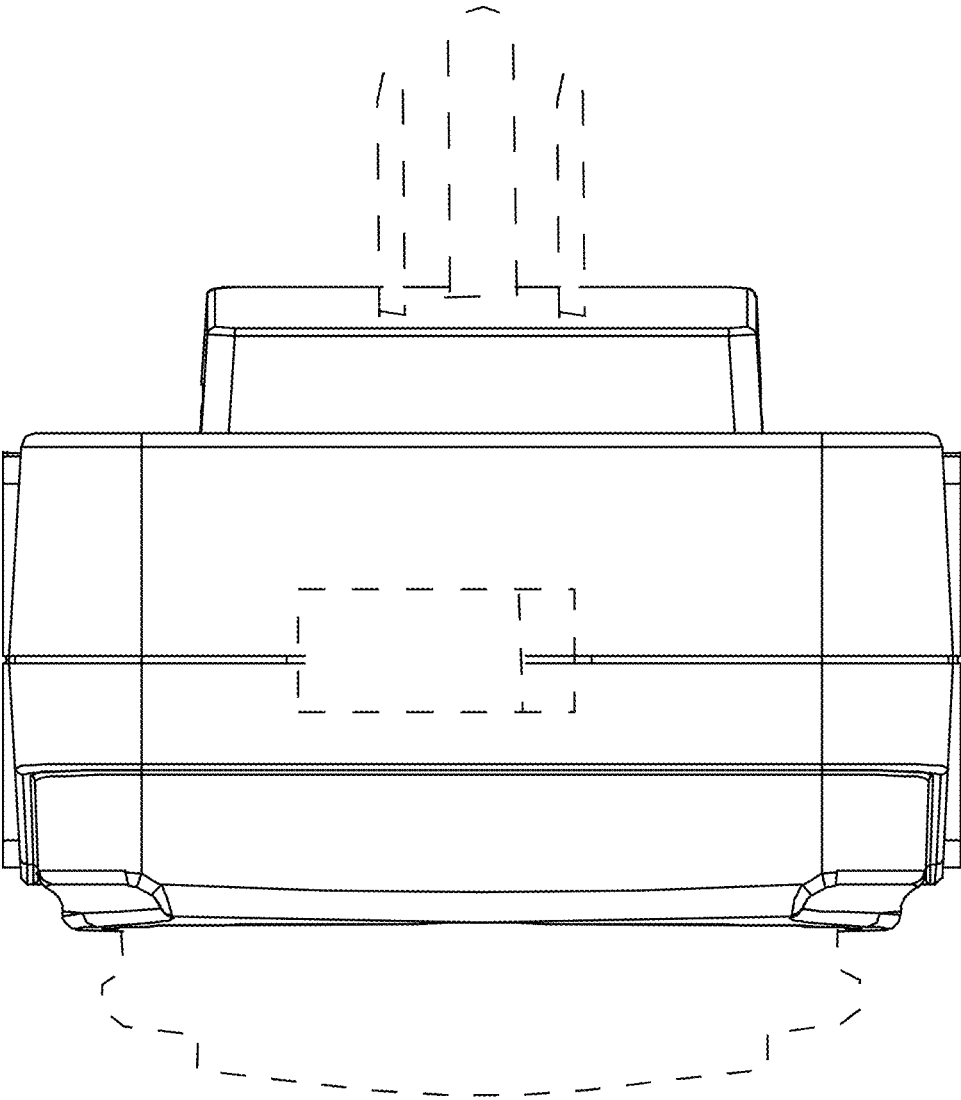


FIG. 1

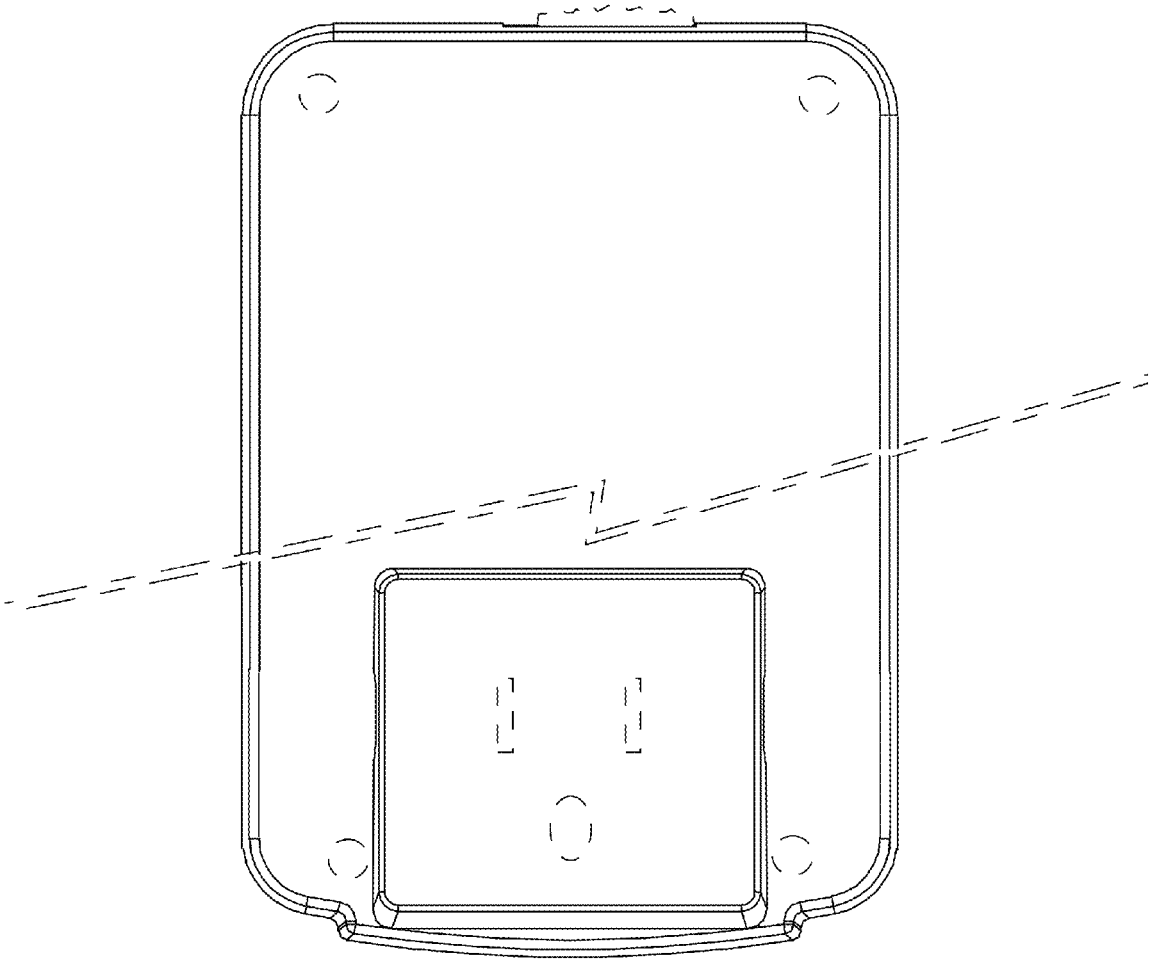


FIG. 2

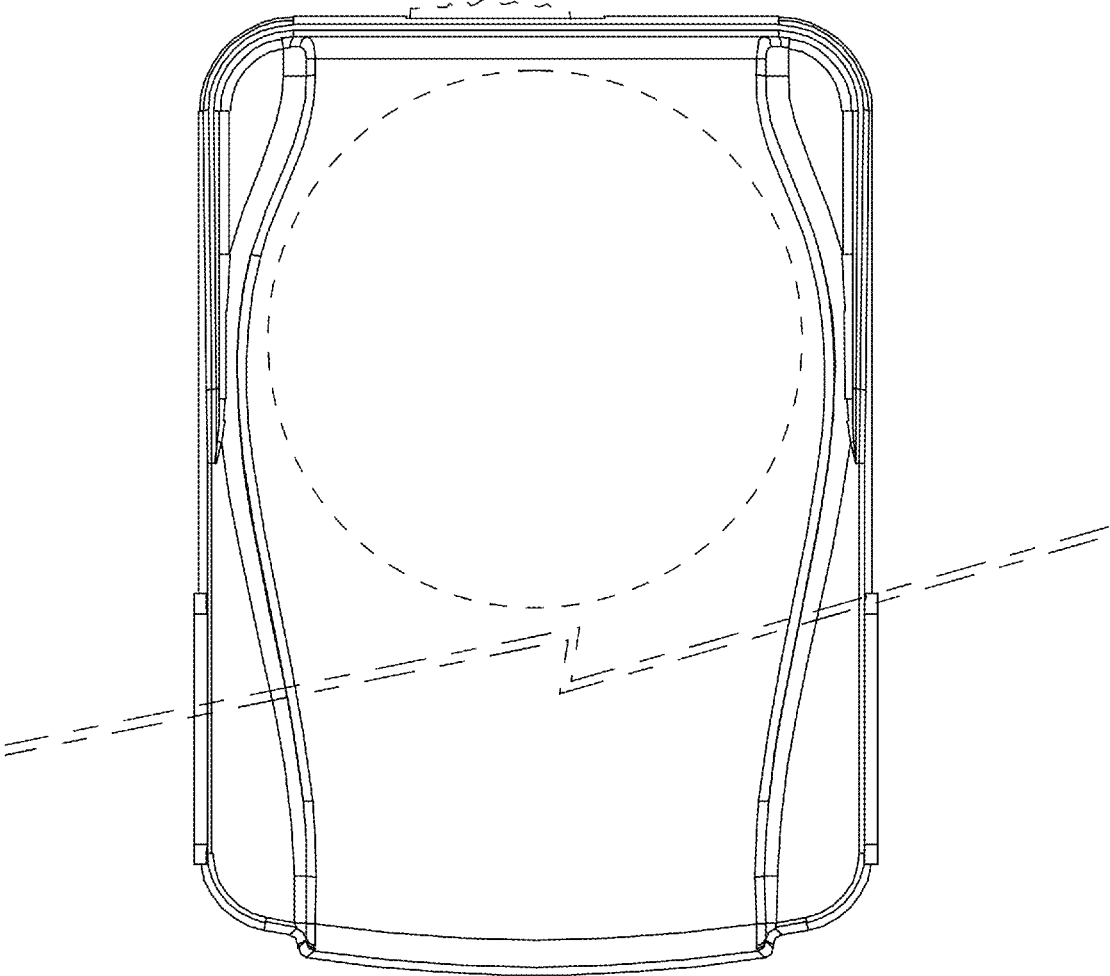


FIG. 3

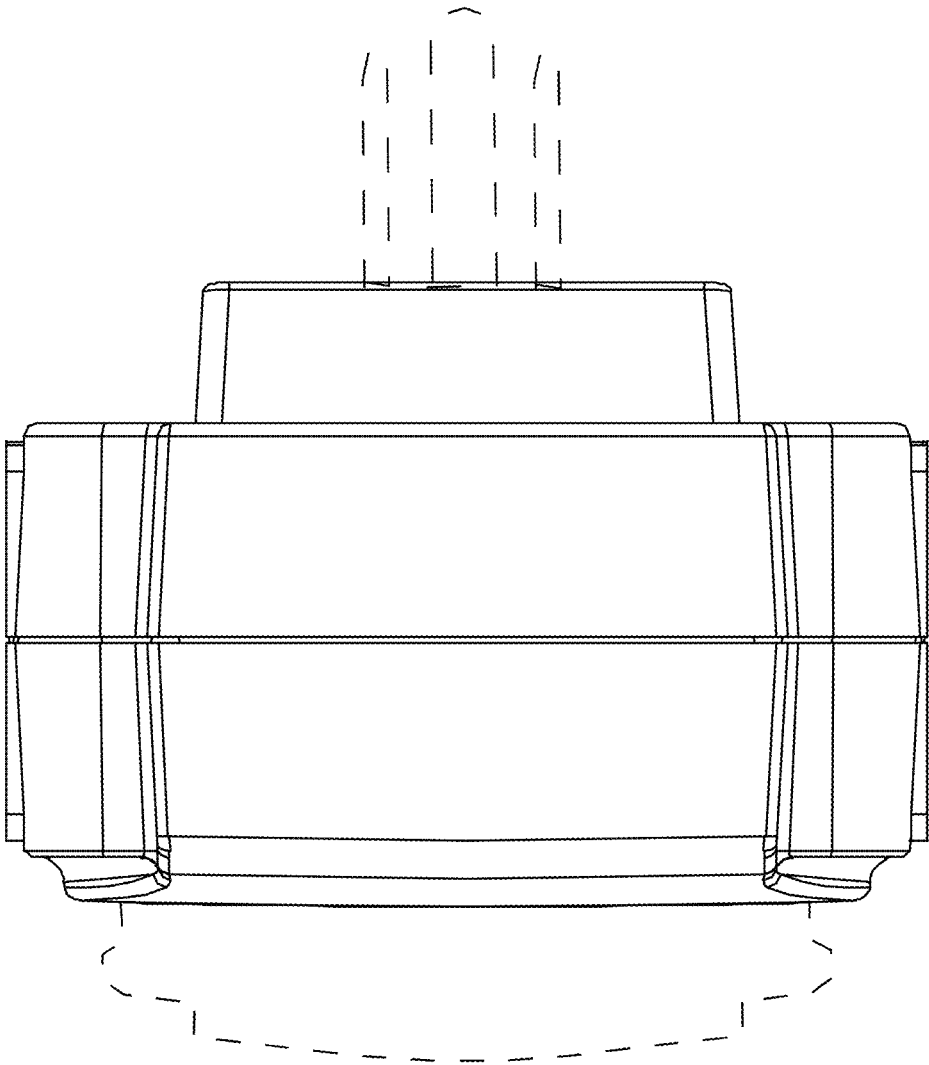


FIG. 4

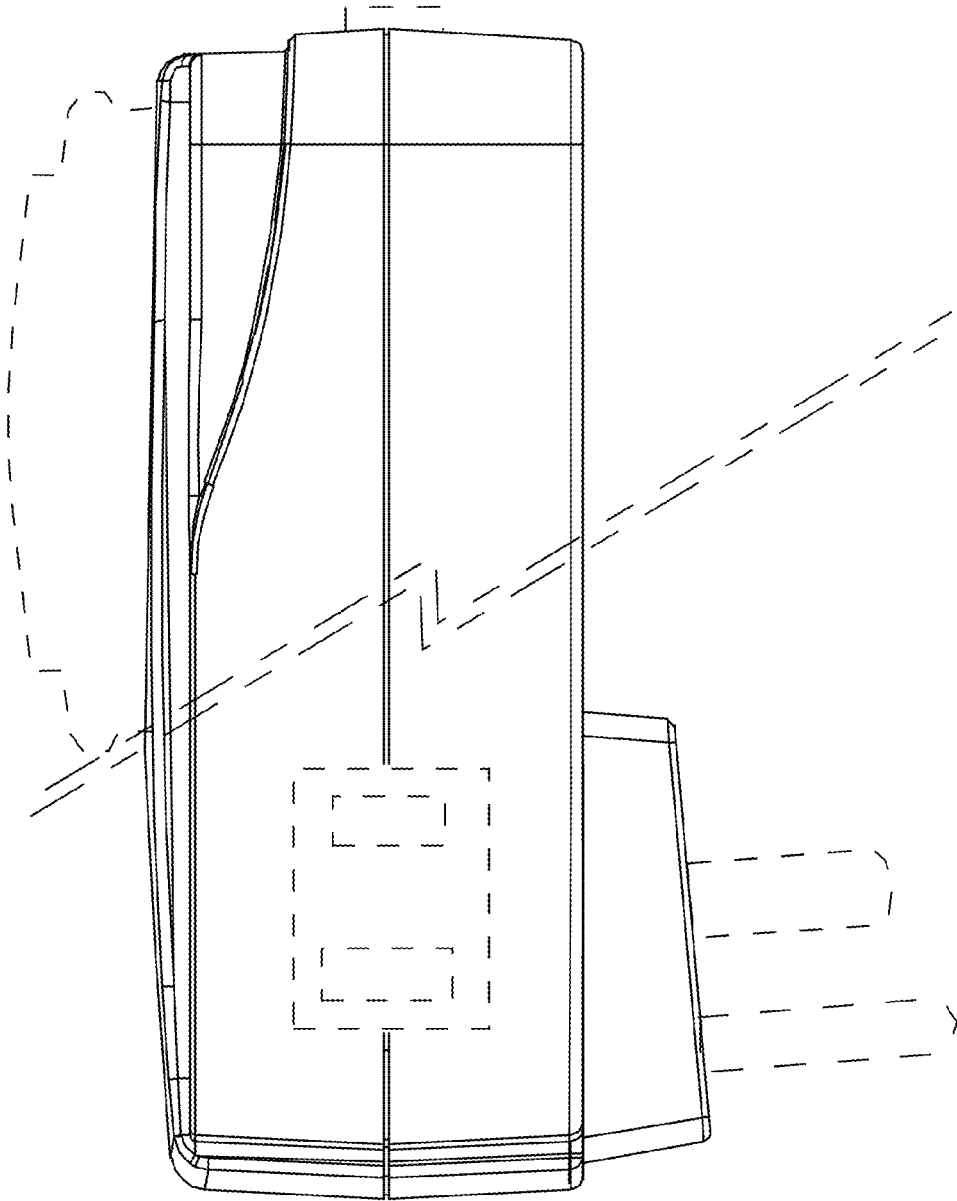


FIG. 5

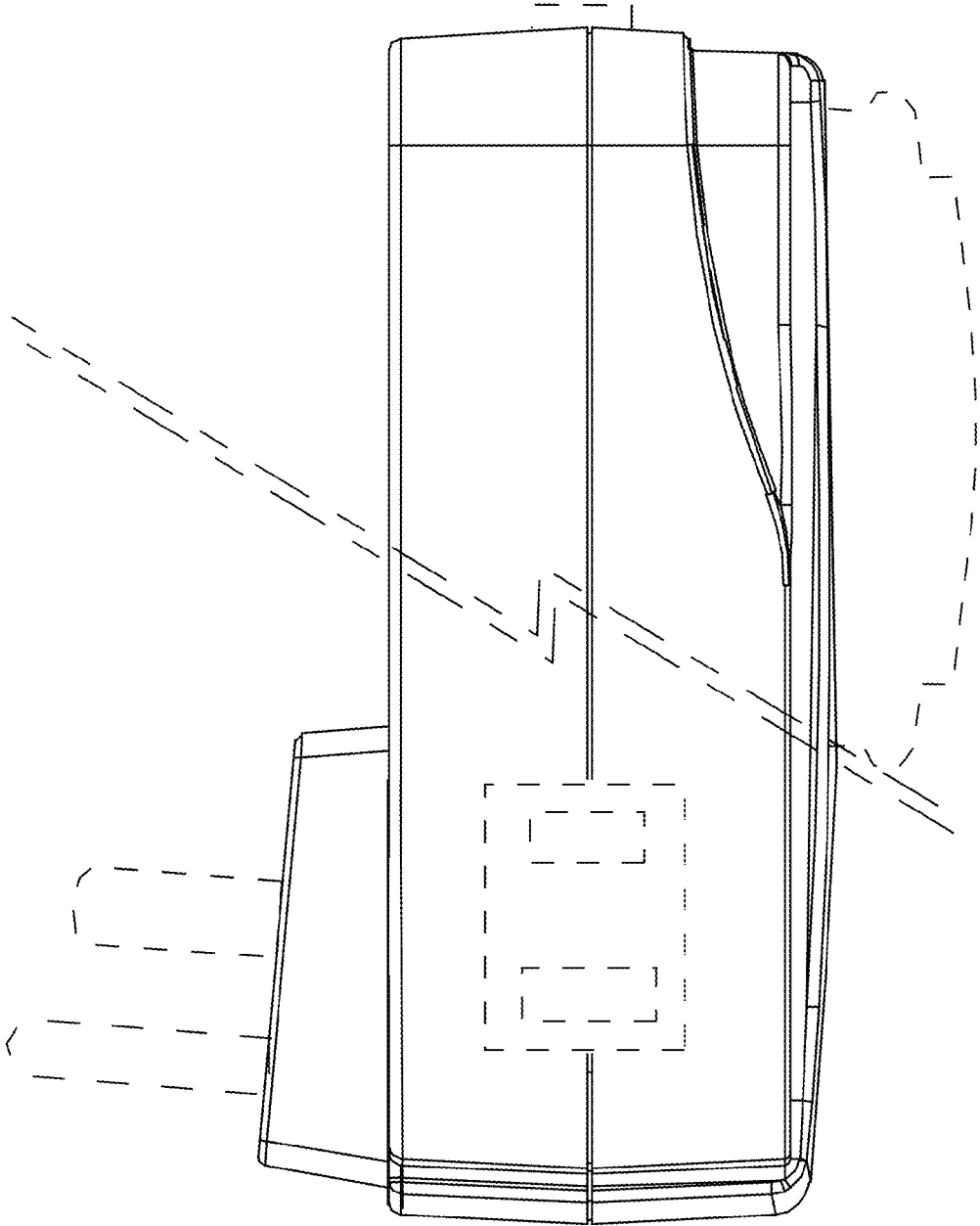


FIG. 6

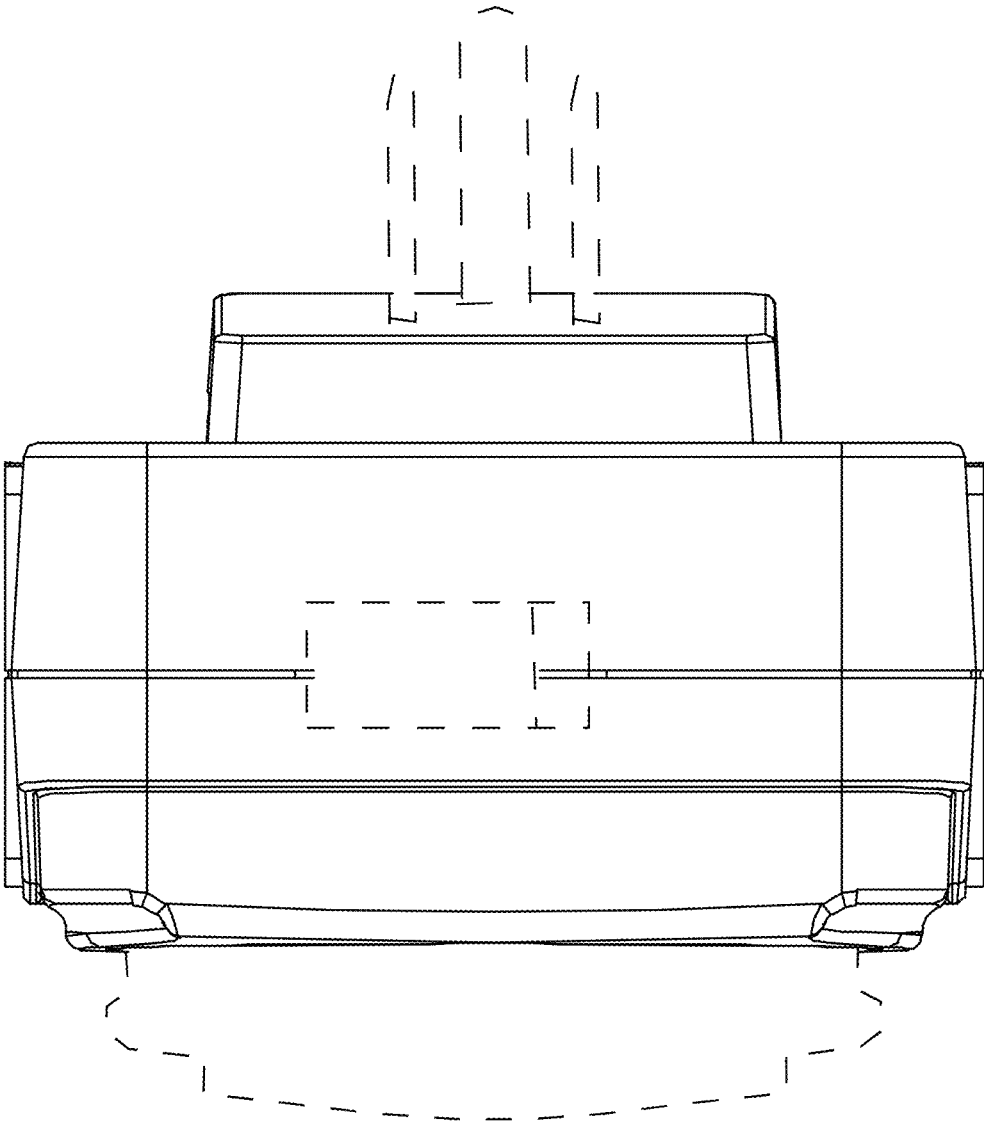


FIG. 7

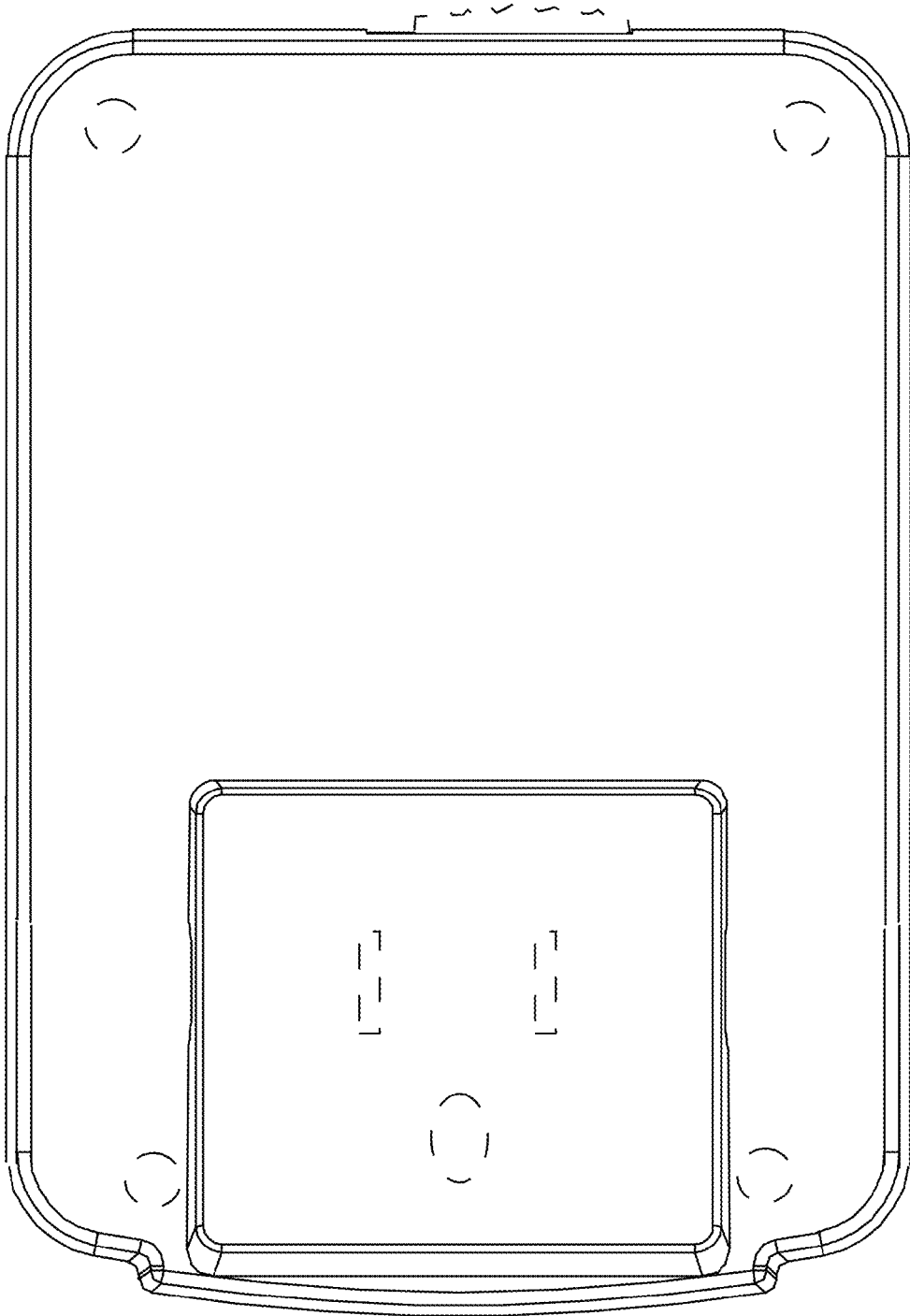


FIG. 8

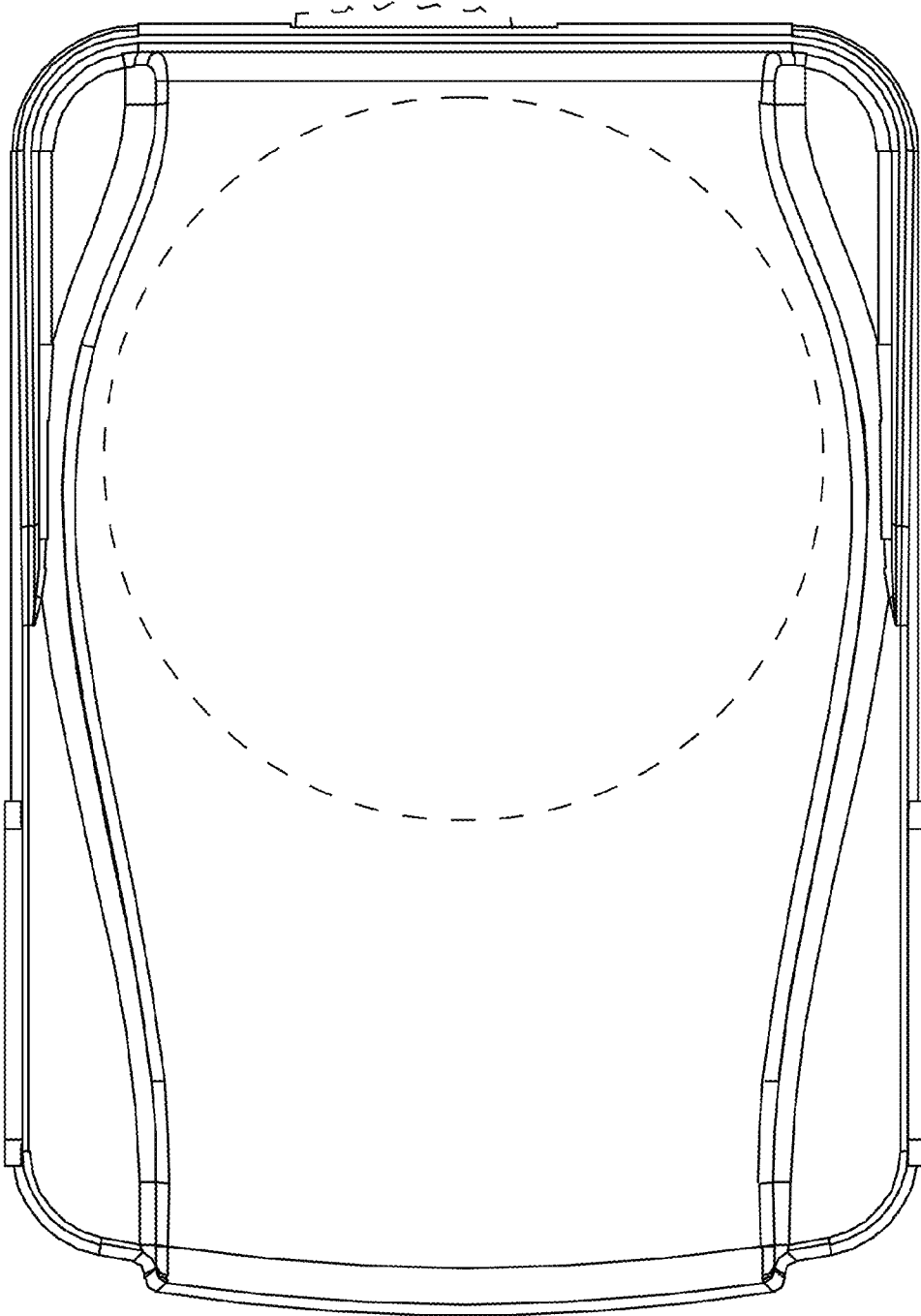


FIG. 9

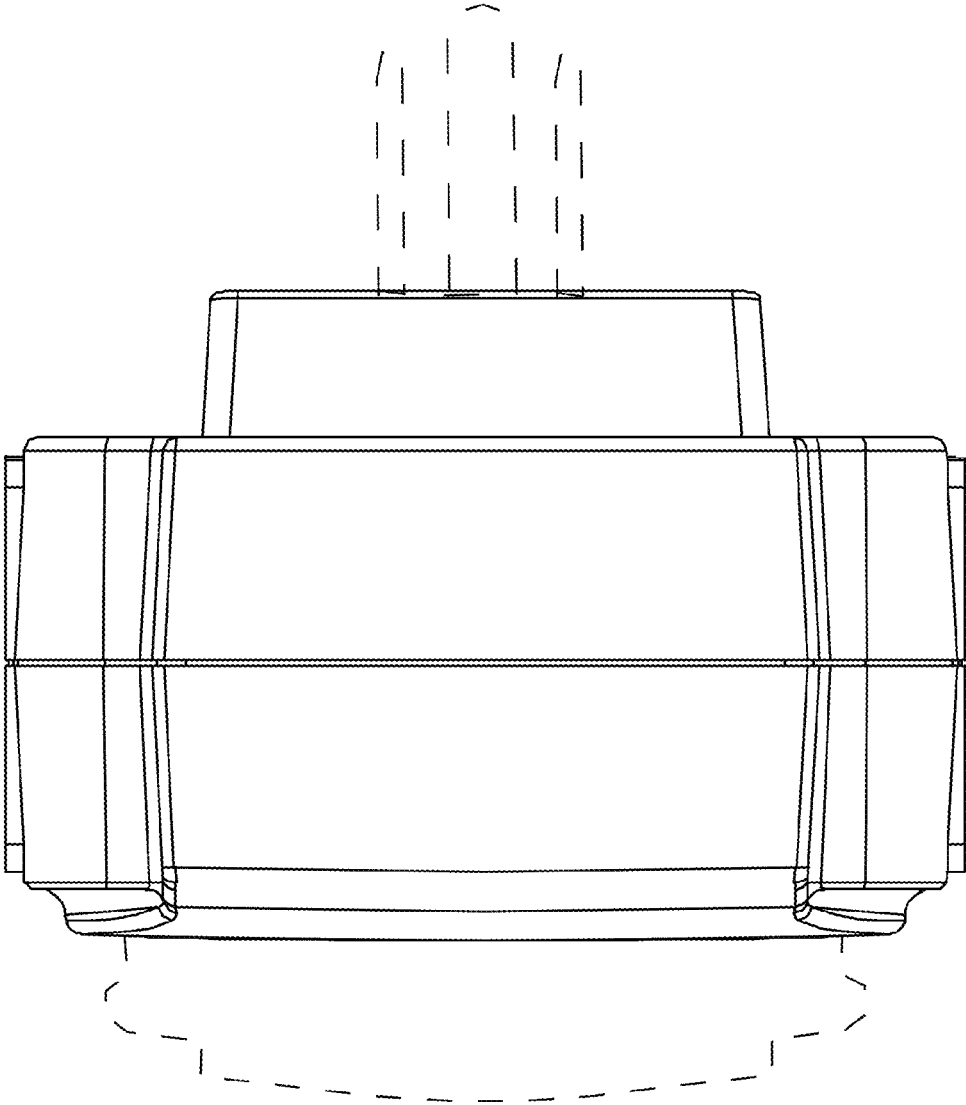


FIG. 10

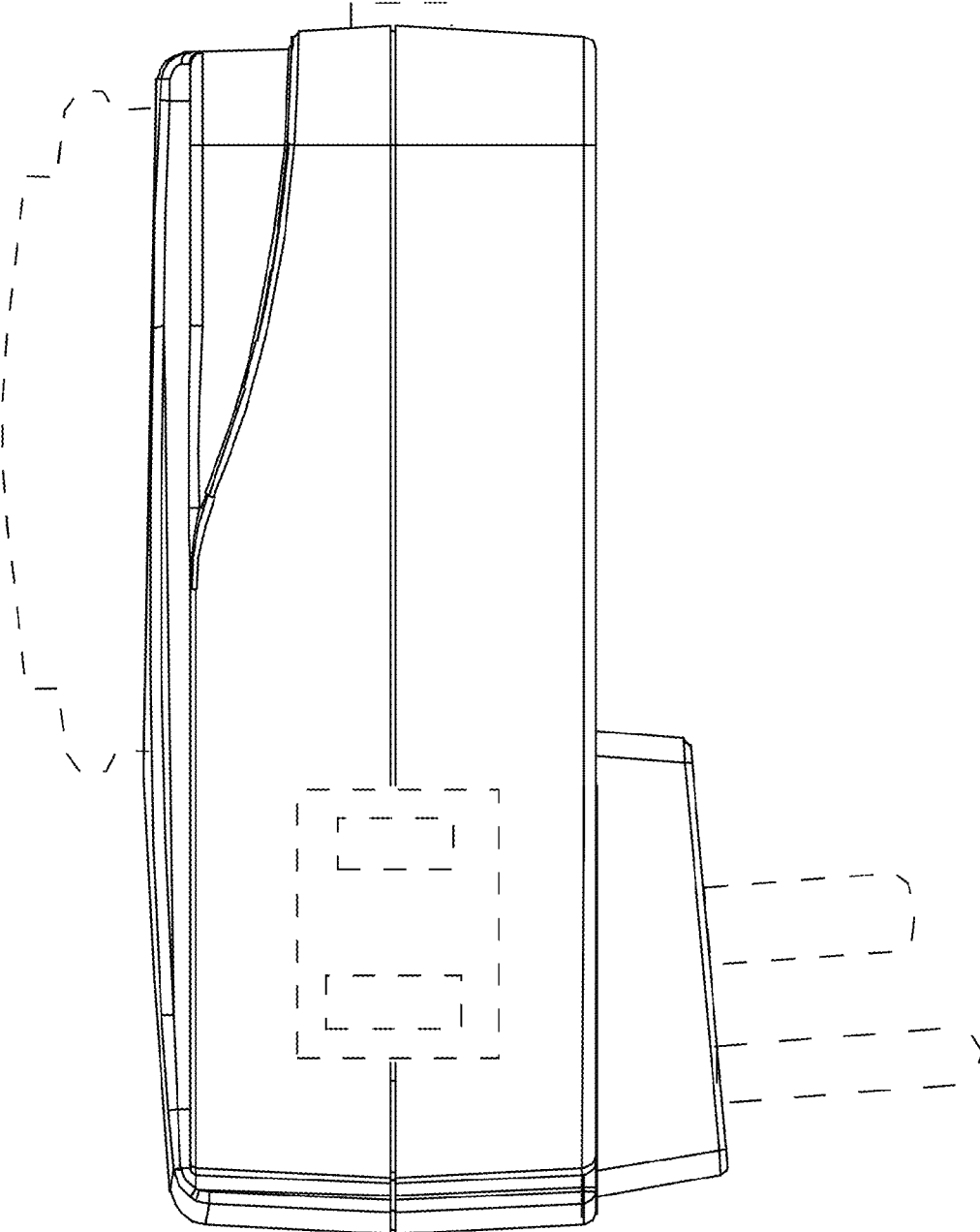


FIG. 11

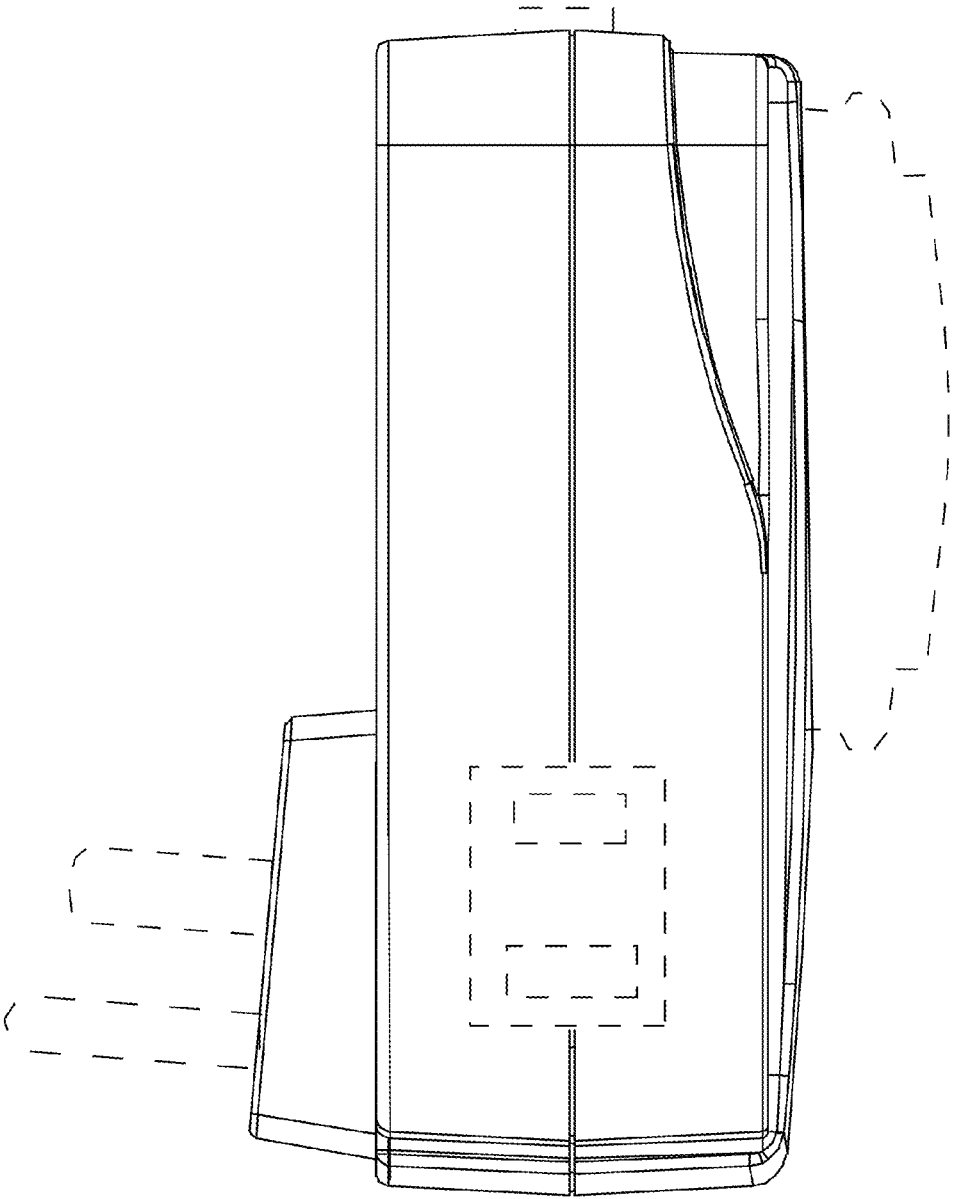


FIG. 12

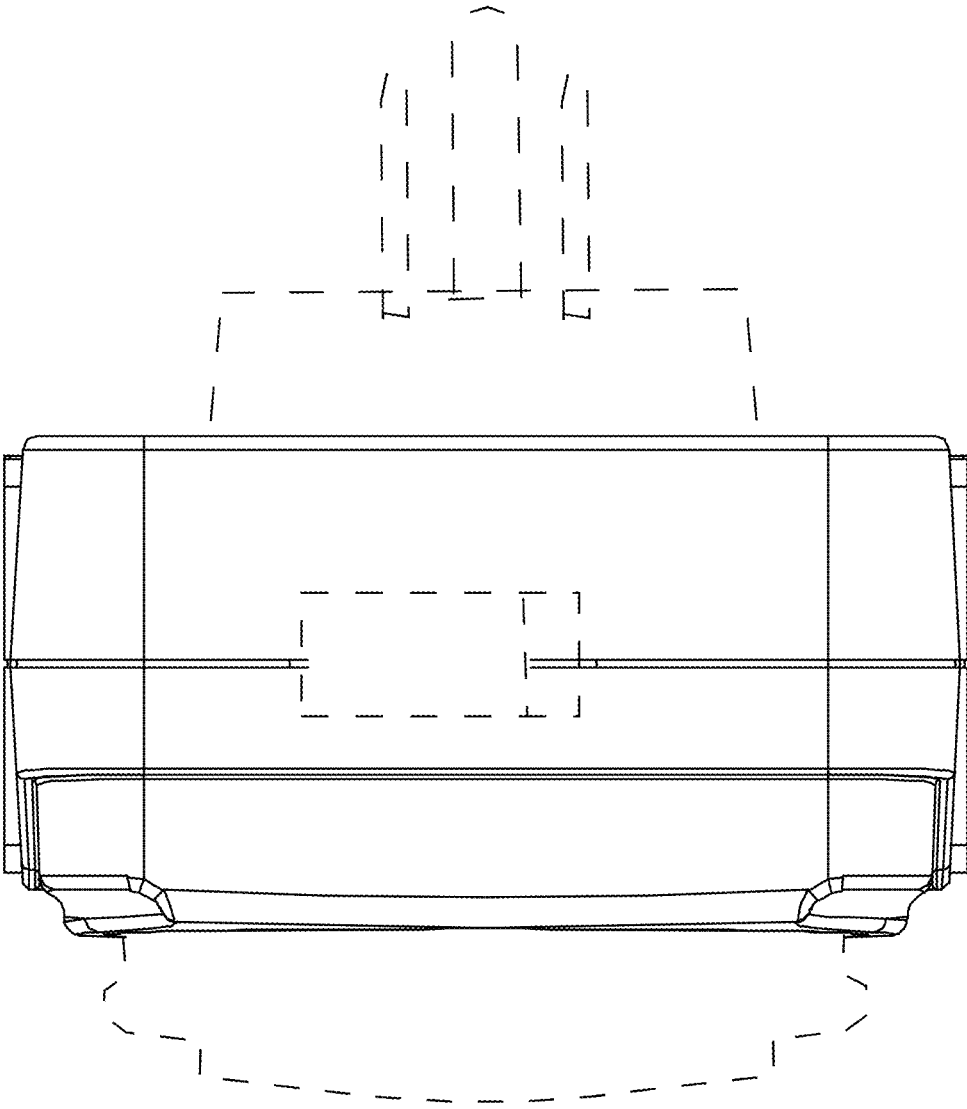


FIG. 13

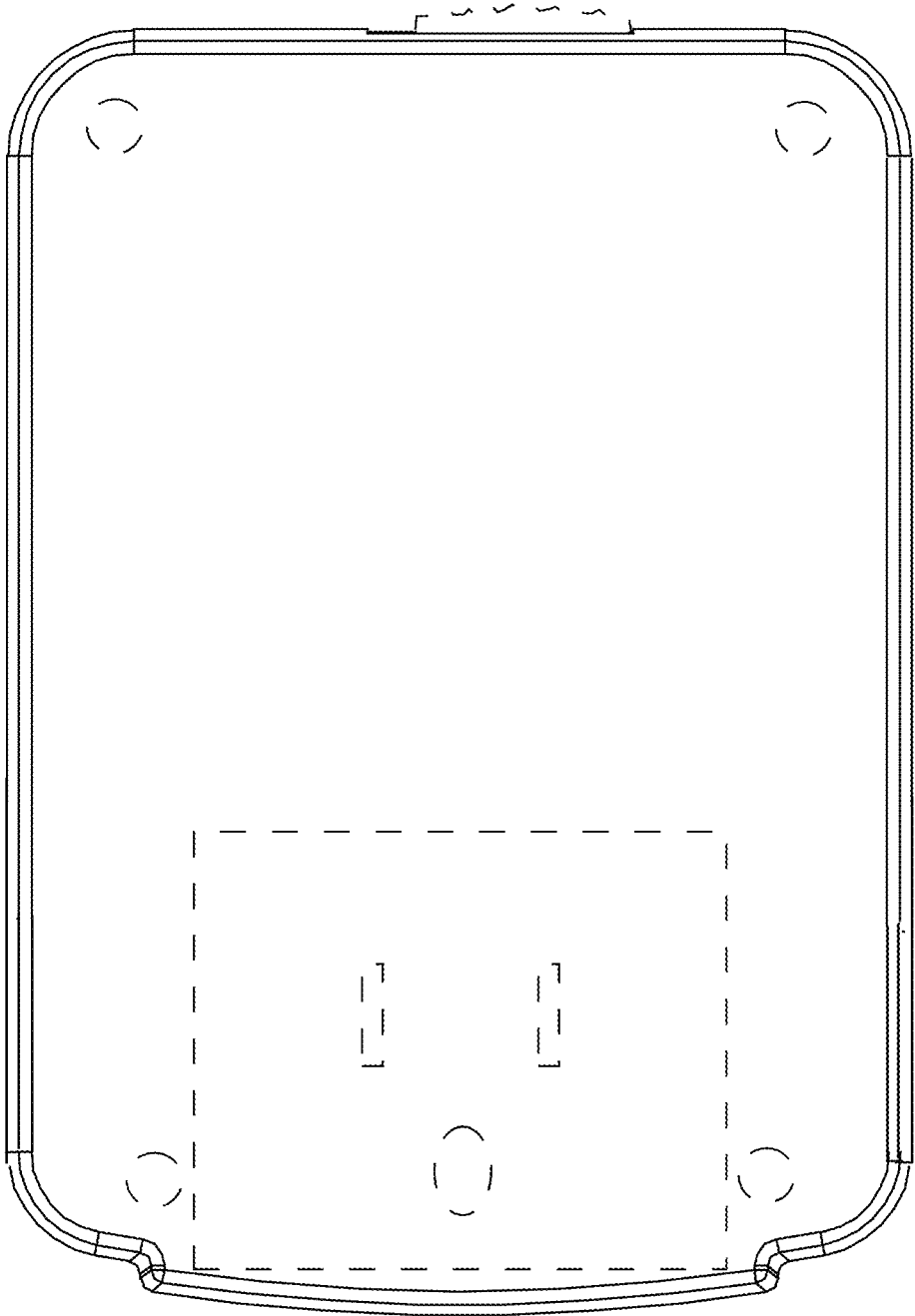


FIG. 14

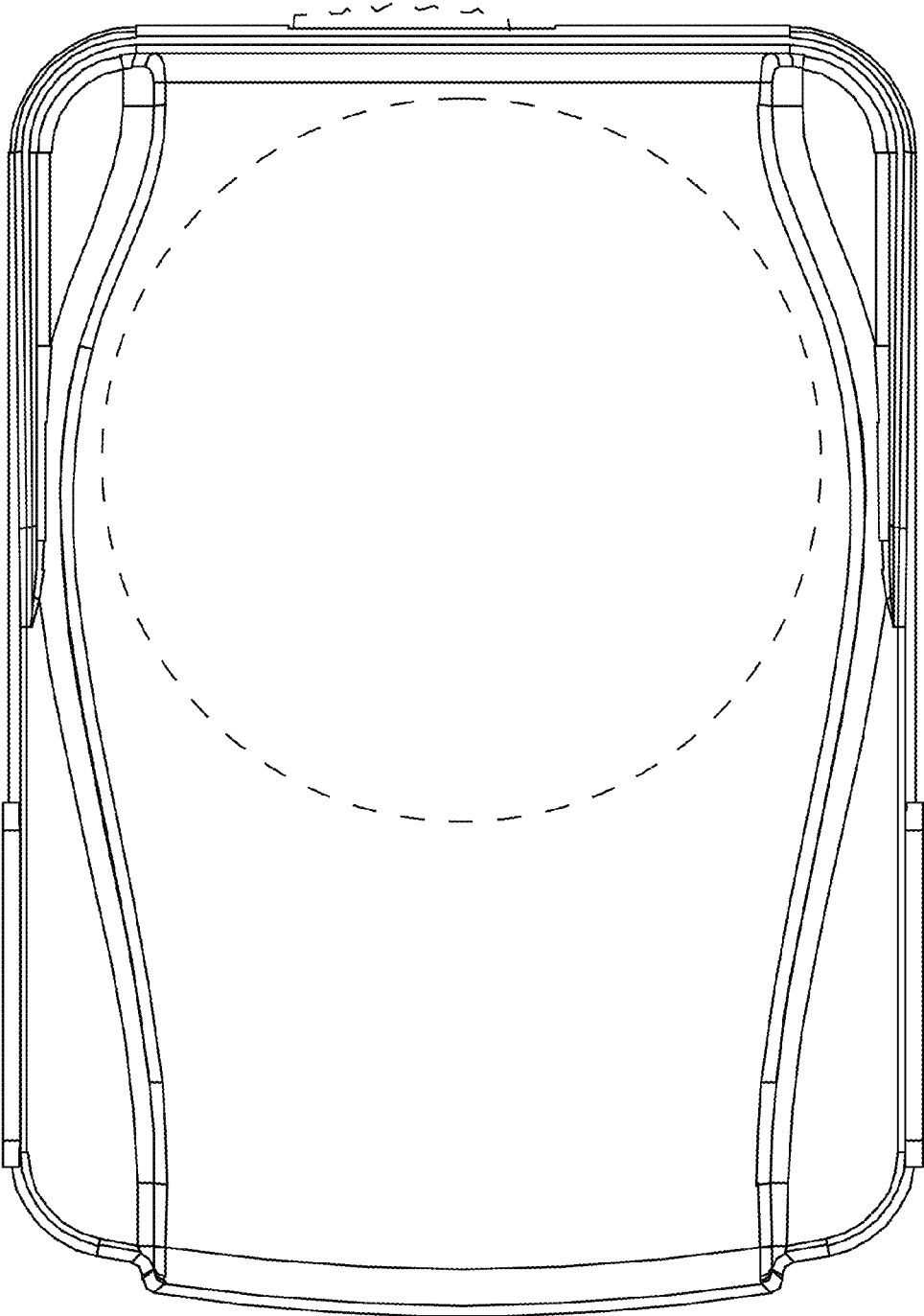


FIG. 15

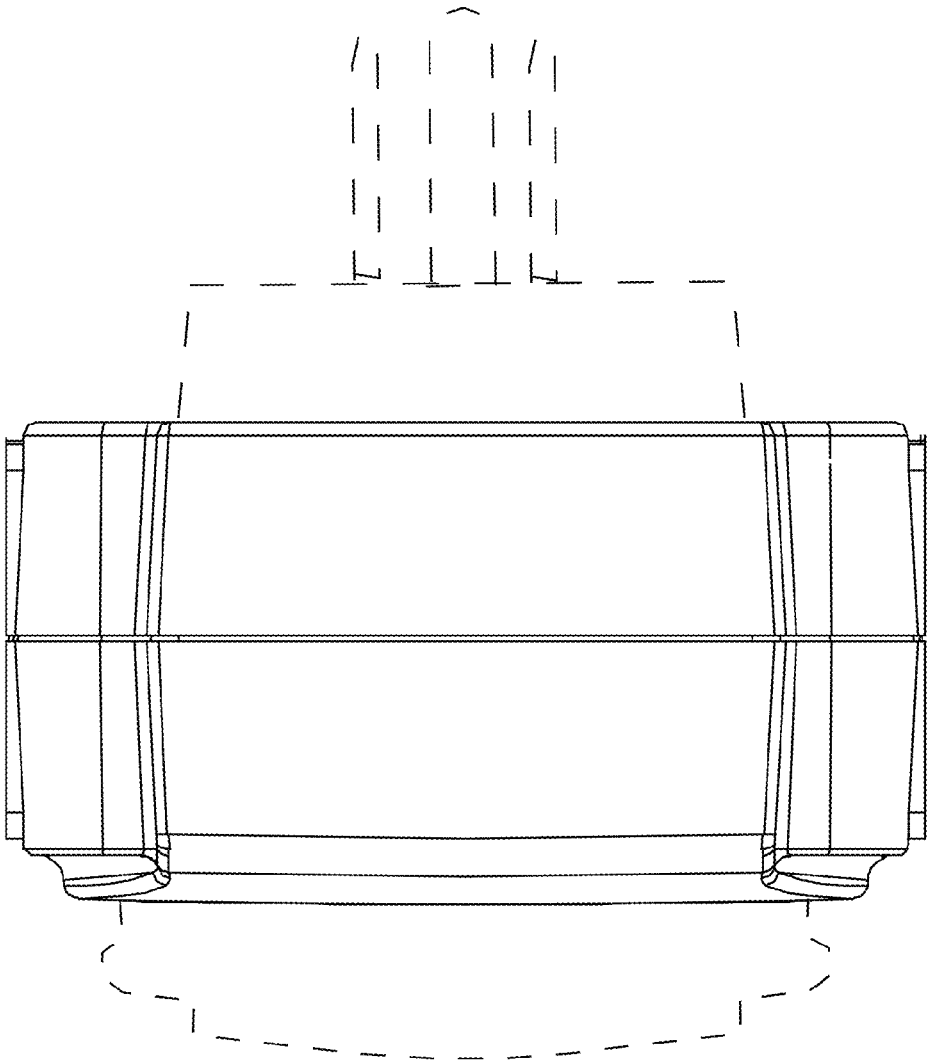


FIG. 16

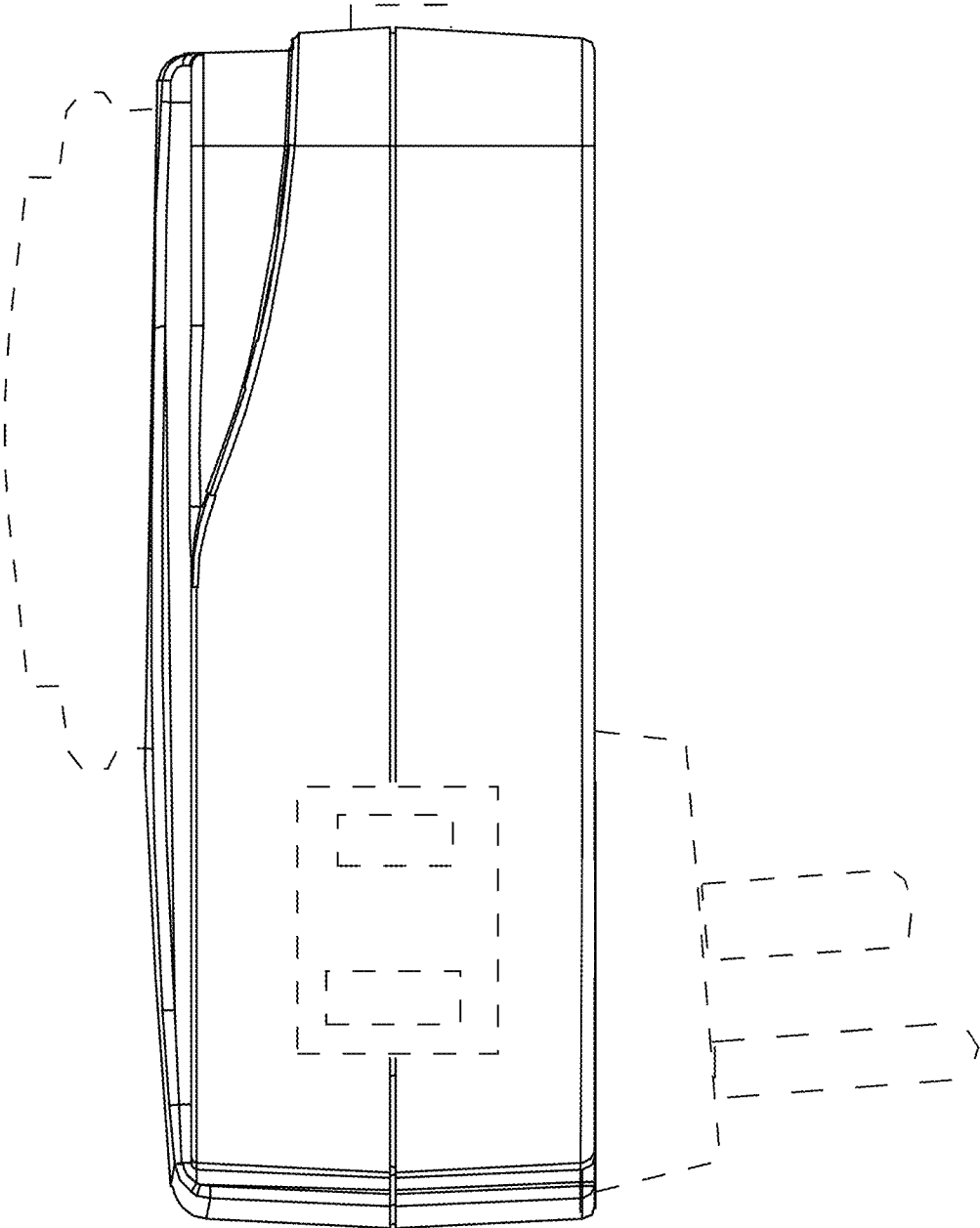


FIG. 17

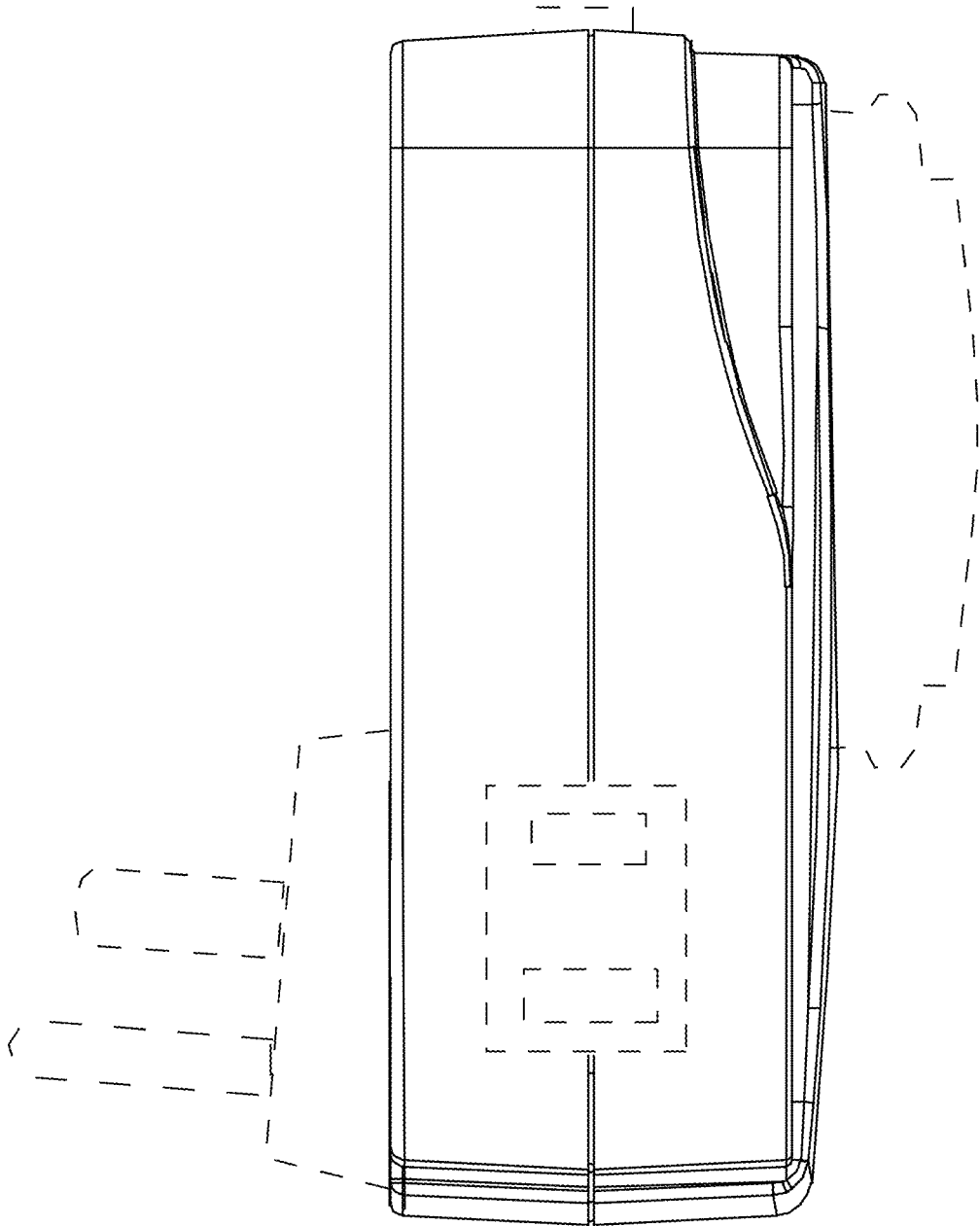


FIG. 18