



US00D773742S

(12) **United States Design Patent**
Williams

(10) **Patent No.:** **US D773,742 S**

(45) **Date of Patent:** **** Dec. 6, 2016**

(54) **HELMET**

(71) Applicant: **Albert Williams**, San Diego, CA (US)

(72) Inventor: **Albert Williams**, San Diego, CA (US)

(**) Term: **14 Years**

(21) Appl. No.: **29/520,068**

(22) Filed: **Mar. 10, 2015**

(51) **LOC (10) Cl.** **09-03**

(52) **U.S. Cl.**
USPC **D29/107**

(58) **Field of Classification Search**
USPC D29/102-107, 122
CPC A63B 71/10; A63B 71/222; A63B 71/04;
A63B 71/166; A63B 71/228; A63B 71/32;
A63B 71/105; A01K 55/00; A42B 3/222;
A42B 3/166; A42B 3/04; A42B
3/228; A42B 3/32; A42B 3/105; A42B
3/322

See application file for complete search history.

(56) **References Cited**

U.S. PATENT DOCUMENTS

1,456,524	A	5/1923	Waldron
2,634,415	A	4/1953	Turner et al.
3,413,656	A	12/1968	Vogliano et al.
3,471,866	A	10/1969	Raney
3,529,306	A	9/1970	Thorne
3,721,994	A	3/1973	DeSimone et al.
4,012,794	A	3/1977	Nomiyama
4,075,715	A	2/1978	Cowgill
D256,626	S	9/1980	Antonino
4,307,471	A	12/1981	Lovell
4,326,303	A	4/1982	Rapplevea
5,671,478	A	9/1997	Yen
5,713,082	A	2/1998	Bassette et al.
5,724,681	A	3/1998	Sykes
5,953,762	A	9/1999	Corbett

6,272,692	B1	8/2001	Abraham	
6,314,586	B1	11/2001	Duguid	
D459,555	S *	6/2002	Gatellet	D29/106
6,425,141	B1	7/2002	Ewing et al.	
D465,067	S *	10/2002	Ide	D29/106
D466,651	S *	12/2002	Halstead	D29/106
D512,534	S *	12/2005	Maddux	D29/106
7,398,562	B2	7/2008	Mollo	
D587,854	S *	3/2009	Nimmons	D29/106
D603,099	S *	10/2009	Bologna	D29/106
7,607,179	B2	10/2009	Shih	
D625,050	S *	10/2010	Chen	D29/106
D629,162	S *	12/2010	Daniel	D29/106
D654,630	S *	2/2012	Chou	D29/106
8,156,569	B2	4/2012	Cripton et al.	
D678,617	S *	3/2013	Erb	D29/106
D681,281	S *	4/2013	Bologna	D29/106
8,578,520	B2	11/2013	Halldin	

(Continued)

Primary Examiner — Ruth McInroy
(74) *Attorney, Agent, or Firm* — Buche & Associates,
P.C.; John K. Buche; Bryce A. Johnson

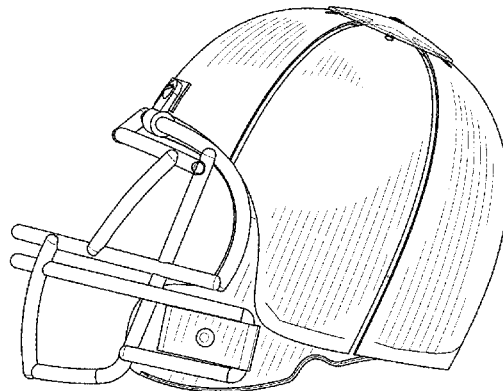
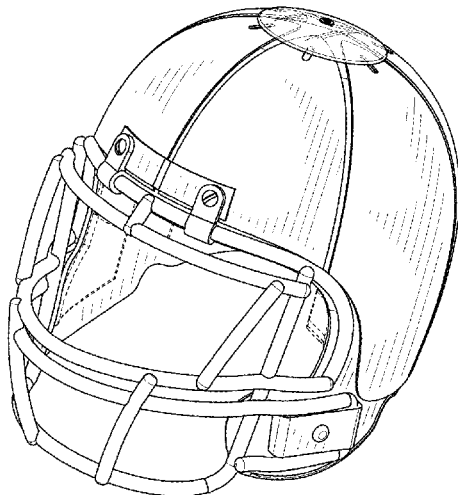
(57) **CLAIM**

I claim the ornamental design for a helmet, as shown and described.

DESCRIPTION

FIG. 1 is a front perspective view of a helmet showing my new design;
FIG. 2 is a front view thereof;
FIG. 3 is a rear view thereof;
FIG. 4 is a left-side view thereof;
FIG. 5 is a right-side view thereof;
FIG. 6 is a bottom view thereof;
FIG. 7 is a top view thereof;
FIG. 8 is a top perspective view thereof; and,
FIG. 9 is a cross-sectional view taken along line 9-9 in FIG. 6.

1 Claim, 6 Drawing Sheets



(56)

References Cited

U.S. PATENT DOCUMENTS

D697,270	S	*	1/2014	Simpson	D29/106
D699,895	S	*	2/2014	Hill	D29/102
D718,002	S	*	11/2014	Littrell, Jr.	D29/106
D734,554	S	*	7/2015	Crane	D29/102
2004/0045078	A1		3/2004	Puchalski	
2004/0117896	A1		6/2004	Madey et al.	
2010/0043126	A1		2/2010	Morel	
2010/0186150	A1		7/2010	Ferrara et al.	
2011/0179557	A1		7/2011	Rabie	
2012/0198604	A1		8/2012	Weber et al.	
2012/0216339	A1		8/2012	Nimmons et al.	
2012/0297525	A1		11/2012	Bain	
2014/0189945	A1		7/2014	Golnaraghi et al.	

* cited by examiner

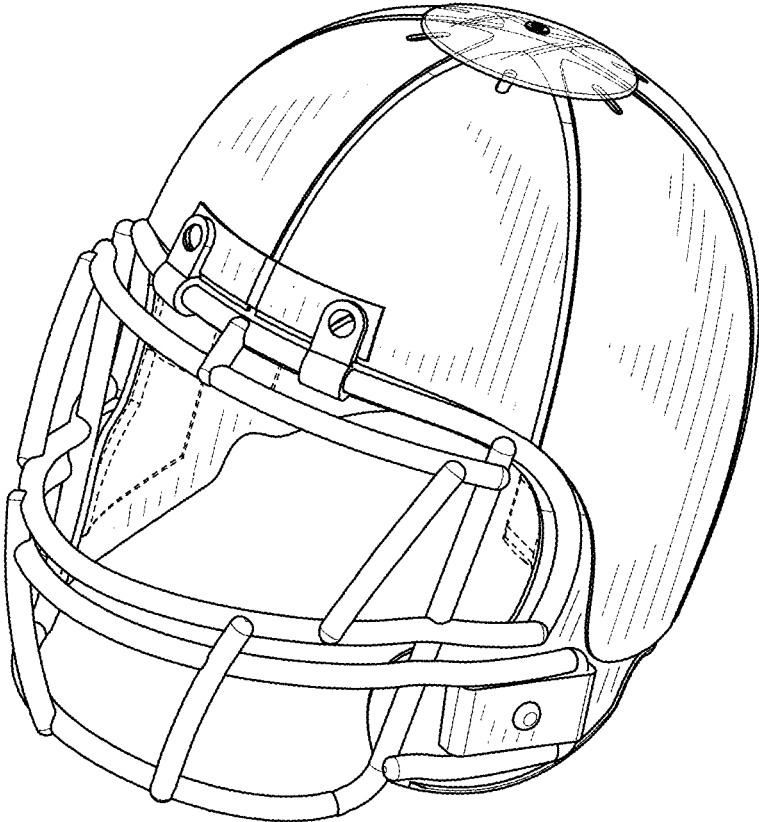


FIG. 1

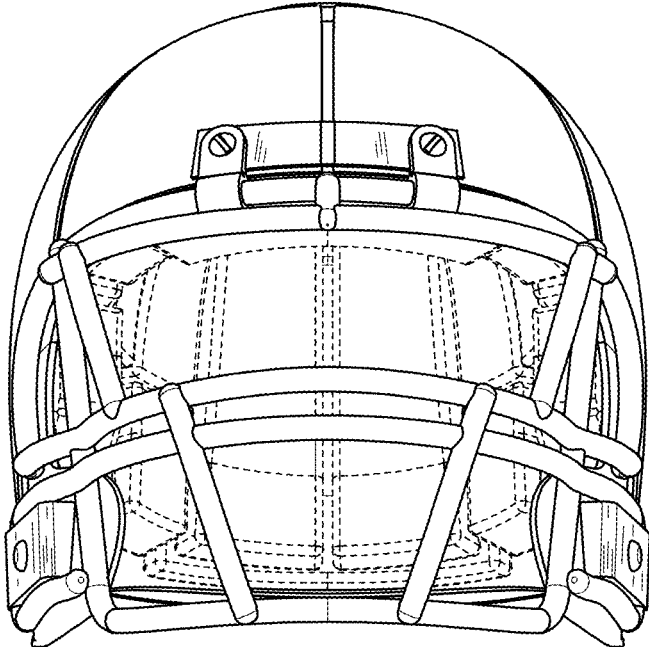


FIG. 2

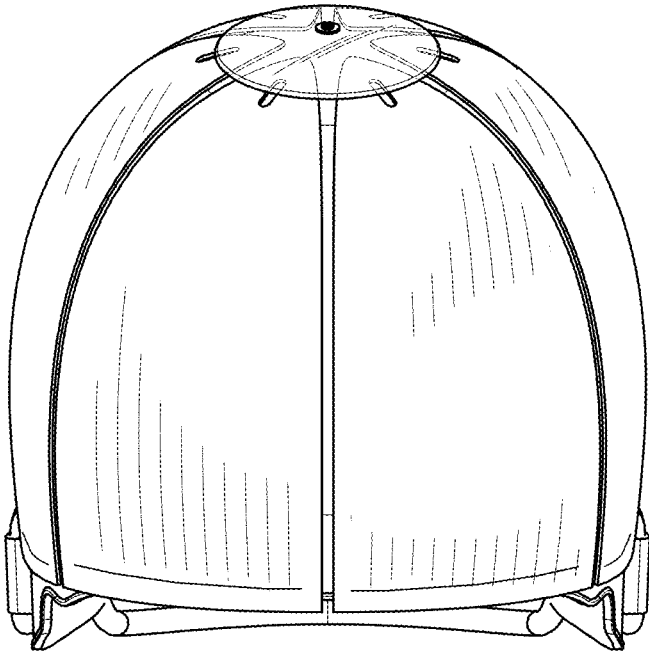


FIG. 3

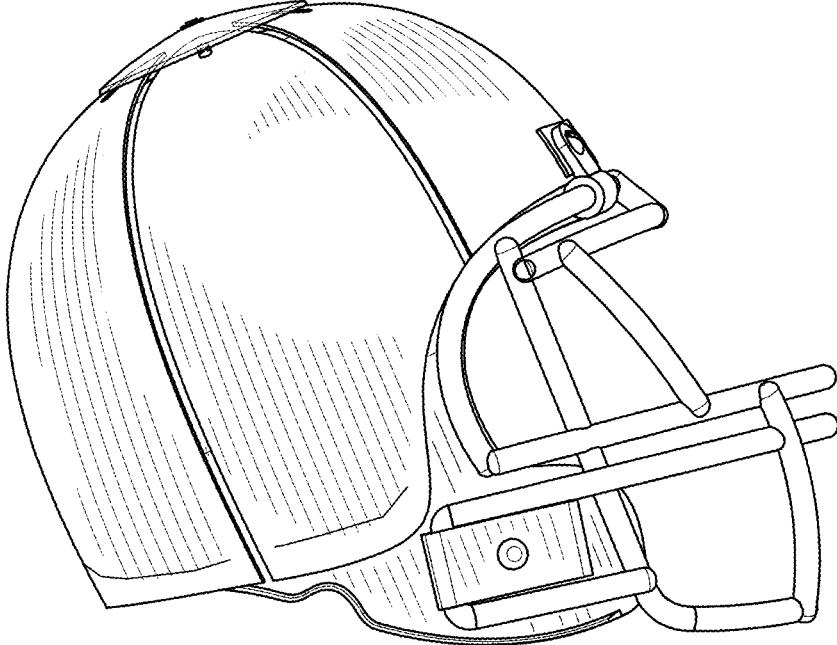


FIG. 4

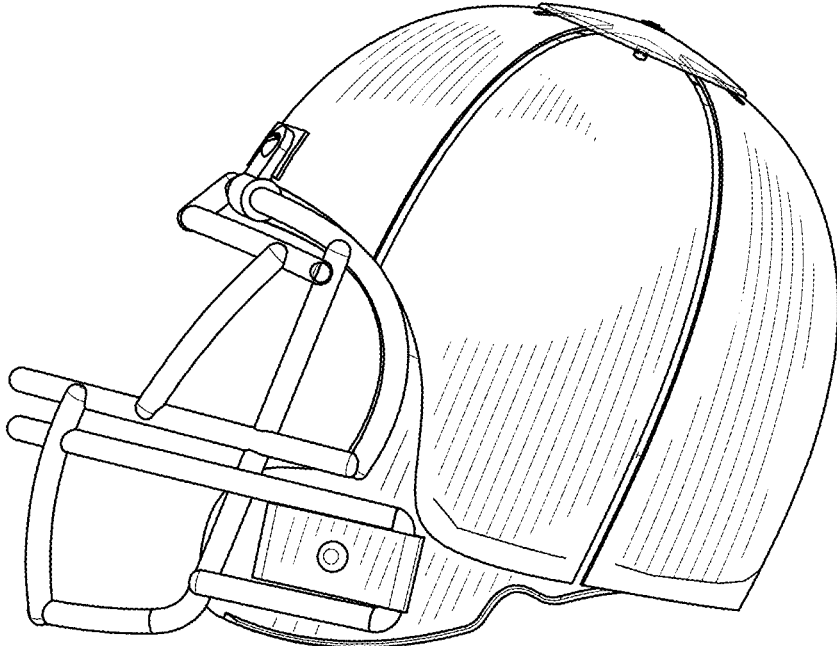


FIG. 5

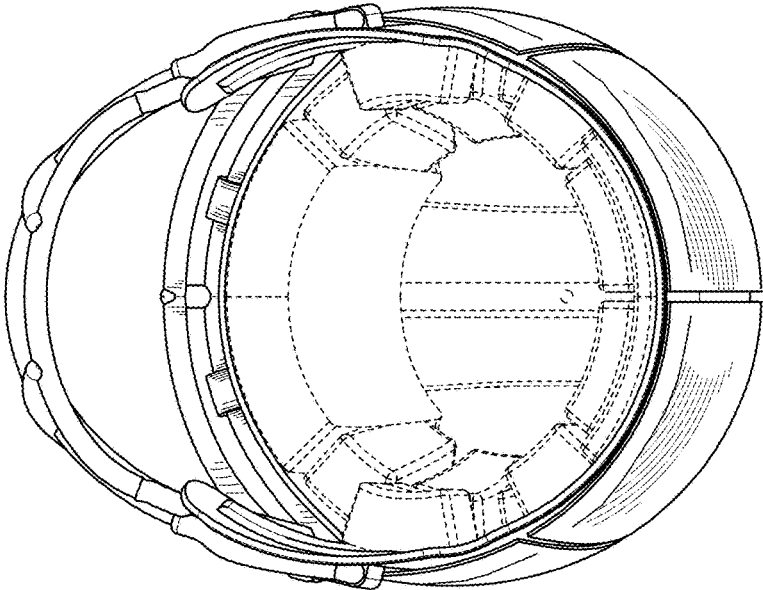


FIG. 7

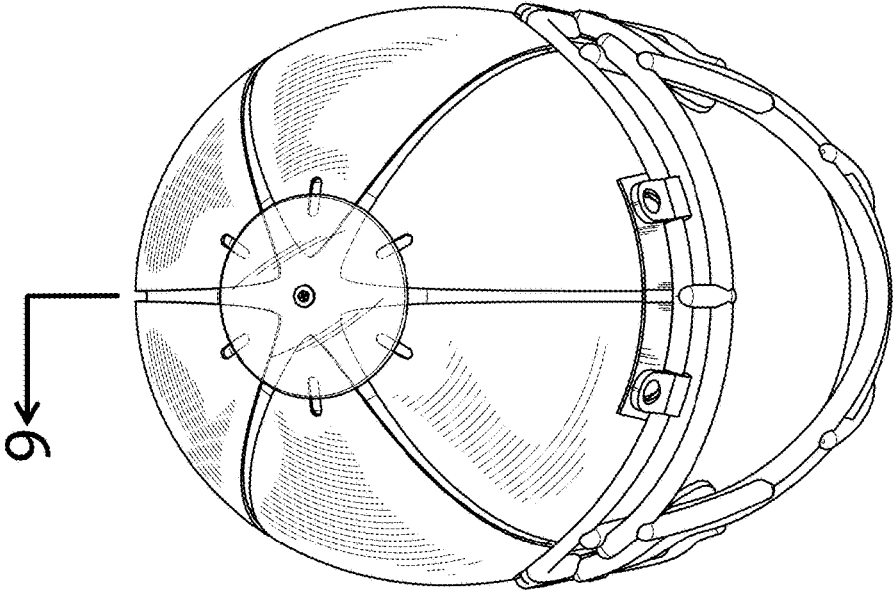


FIG. 6

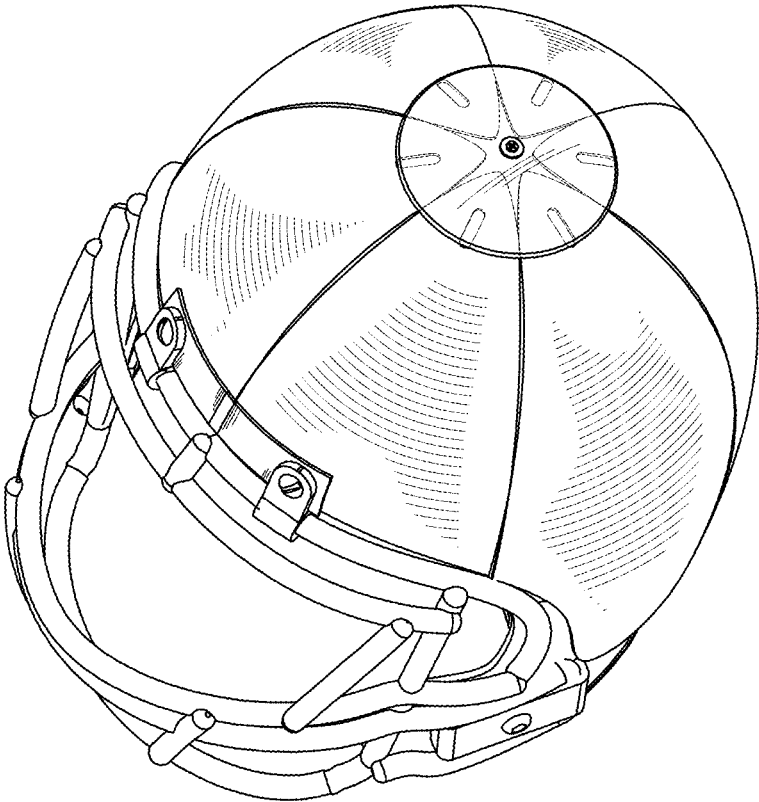


FIG. 8

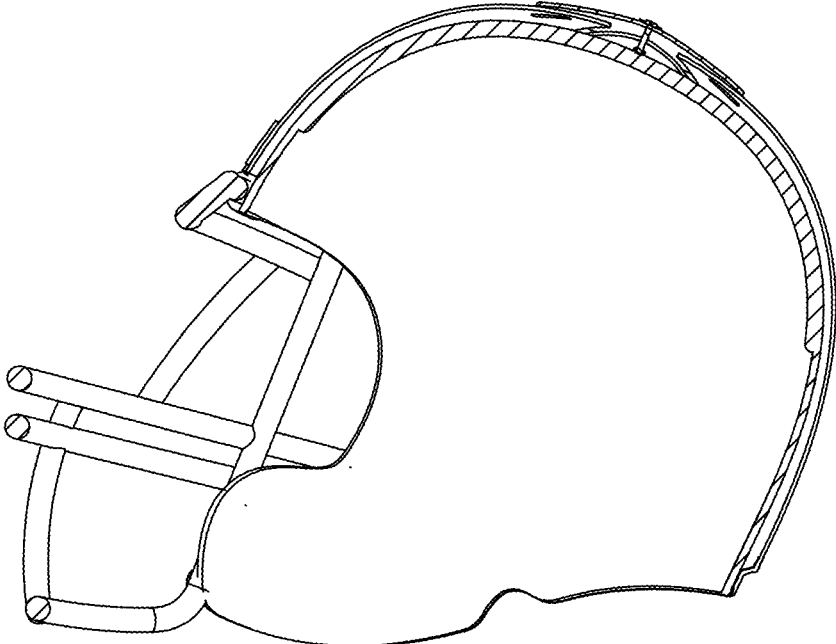


FIG. 9