



US00D773067S

(12) **United States Design Patent**  
**Wang et al.**

(10) **Patent No.:** **US D773,067 S**  
(45) **Date of Patent:** **\*\* Nov. 29, 2016**

- (54) **TEST READER**
- (71) Applicants: **Naishu Wang**, San Diego, CA (US);  
**Jimmy Jing**, San Diego, CA (US)
- (72) Inventors: **Naishu Wang**, San Diego, CA (US);  
**Jimmy Jing**, San Diego, CA (US)
- (\*\*) Term: **15 Years**
- (21) Appl. No.: **29/534,104**
- (22) Filed: **Jul. 26, 2015**
- (51) **LOC (10) Cl.** ..... **24-01**
- (52) **U.S. Cl.**  
USPC ..... **D24/216**
- (58) **Field of Classification Search**  
USPC ..... D24/216, 223, 224, 231, 232, 233, 107,  
D24/169, 186; D10/81; D14/433, 434, 453  
CPC ..... G01N 2035/00871; G01N 2035/00891;  
G01N 21/8483; A61B 2010/0009; G06F  
19/366; G06K 9/00134; H04M 1/026  
See application file for complete search history.

- 2013/0273563 A1\* 10/2013 Ehrenkranz ..... G01N 33/54366  
435/7.4
- 2014/0286550 A1\* 9/2014 Beule ..... G01N 21/8483  
382/128
- 2014/0296112 A1\* 10/2014 O'Driscoll ..... G01J 3/0202  
506/39
- 2015/0031412 A1\* 1/2015 Quilter ..... G06F 19/366  
455/556.1
- 2015/0177147 A1\* 6/2015 Mangan ..... G01N 33/04  
250/432 R
- 2015/0304555 A1\* 10/2015 Ehrenkranz ..... H04N 5/2256  
348/207.1

\* cited by examiner

*Primary Examiner* — Anhdao Doan  
(74) *Attorney, Agent, or Firm* — Buche & Associates,  
P.C.; John K. Buche; Bryce A. Johnson

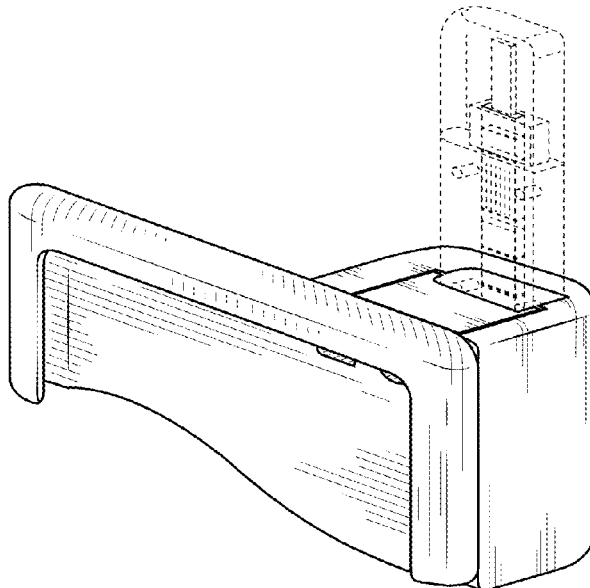
(57) **CLAIM**  
The ornamental design for a test reader, as shown and described.

**DESCRIPTION**

FIG. 1 is a perspective view of the test reader.  
FIG. 2 is a front view of the test reader.  
FIG. 3 is a back view of the test reader.  
FIG. 4 is a right-side view of the test reader.  
FIG. 5 is a left-side view of the test reader.  
FIG. 6 is a top view of the test reader.  
FIG. 7 is a bottom view of the test reader; and,  
FIG. 8 is a perspective view of the test reader in a condition of use.  
In the drawings, the broken lines depict environmental subject matters and form no part of the claimed design.

- (56) **References Cited**  
U.S. PATENT DOCUMENTS
- |              |      |         |                  |                     |
|--------------|------|---------|------------------|---------------------|
| D439,669     | S *  | 3/2001  | Grunstad .....   | D14/434             |
| D638,019     | S *  | 5/2011  | Weisshaupt ..... | D14/434             |
| D662,082     | S *  | 6/2012  | McManigal .....  | D14/217             |
| D701,320     | S *  | 3/2014  | Quilter .....    | D24/216             |
| D727,327     | S *  | 4/2015  | Quilter .....    | D14/420             |
| D762,860     | S *  | 8/2016  | He .....         | D24/186             |
| 2013/0273524 | A1 * | 10/2013 | Ehrenkranz ..... | G01N 21/17<br>435/5 |

**1 Claim, 4 Drawing Sheets**



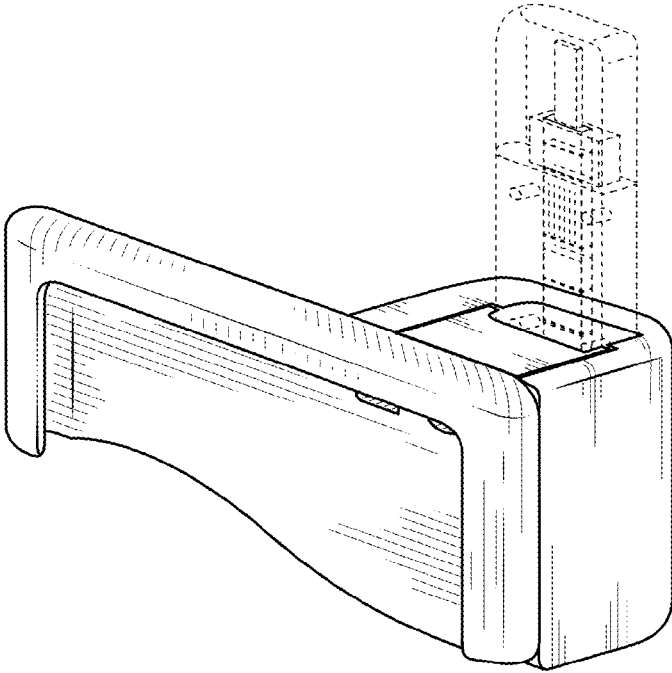


FIG. 1

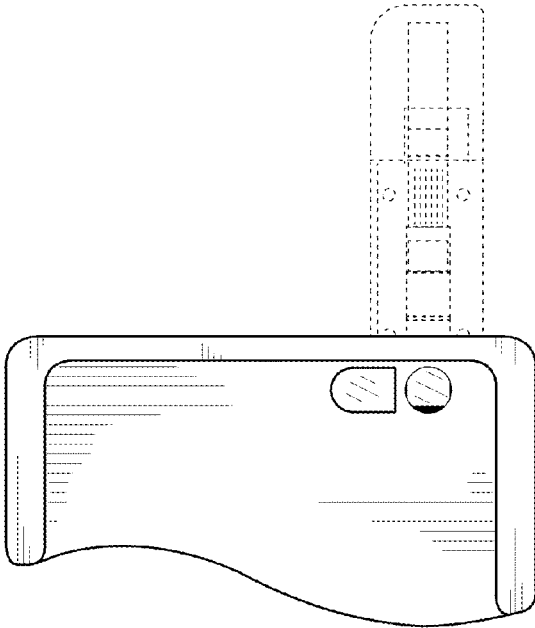


FIG. 2

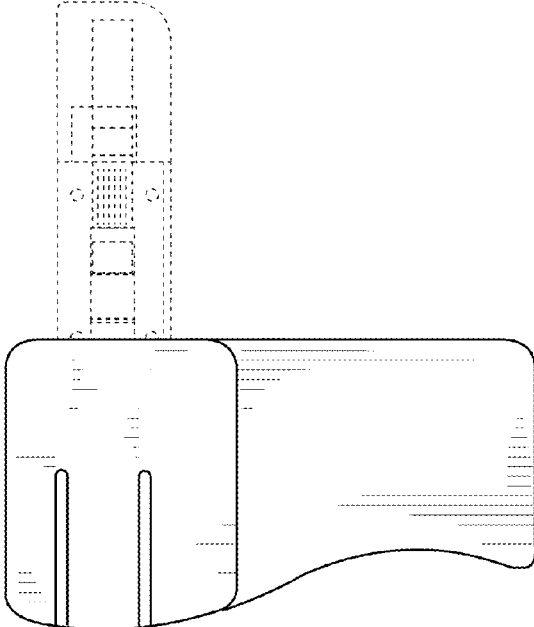


FIG. 3

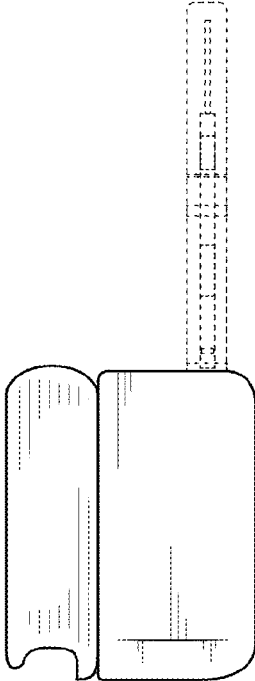


FIG. 4

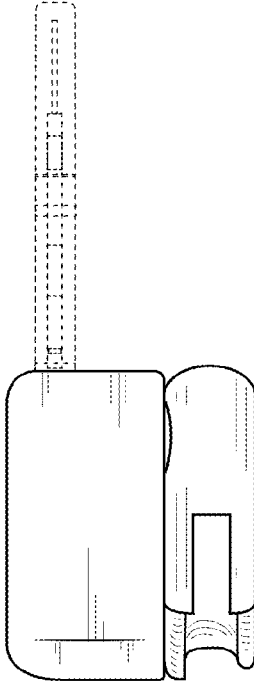


FIG. 5

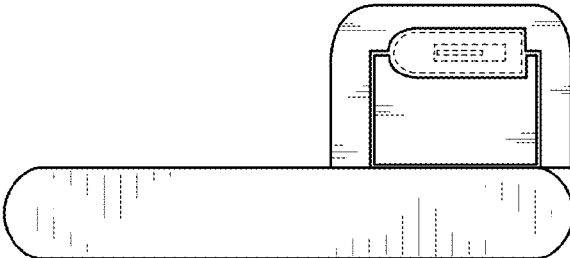


FIG. 6

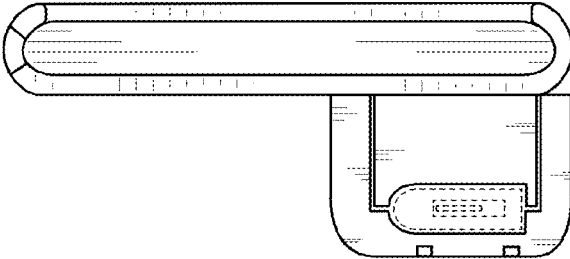


FIG. 7

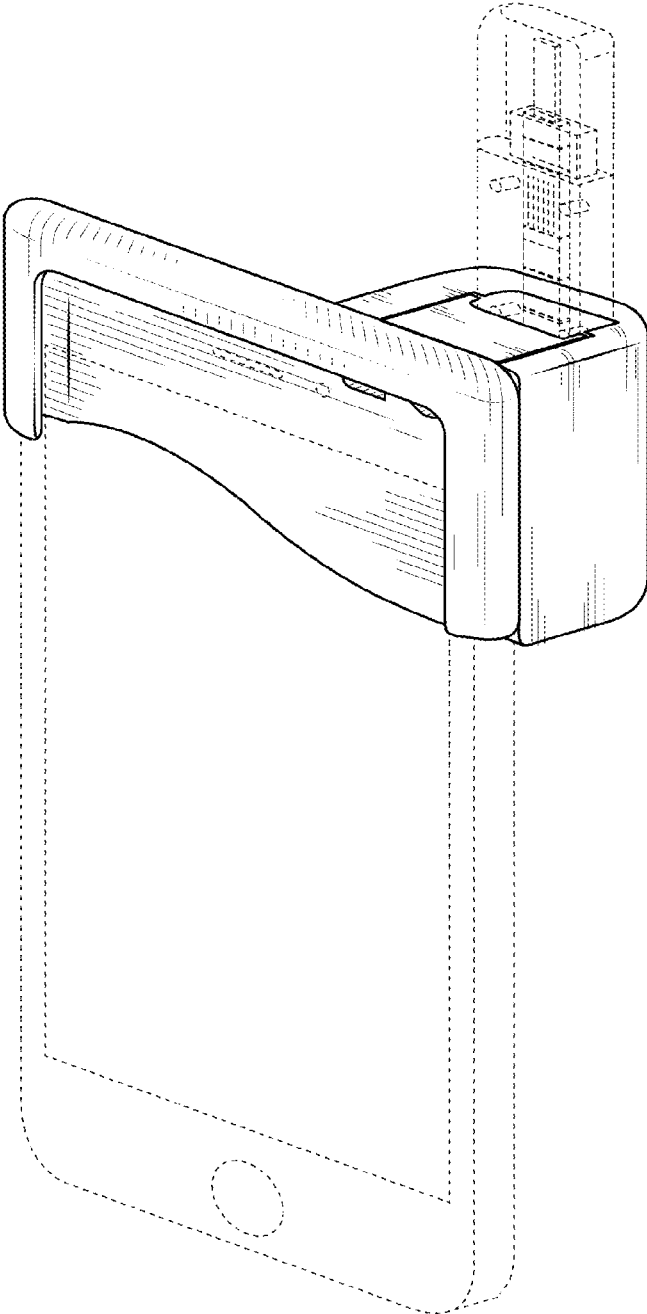


FIG. 8