



US00D771268S

(12) **United States Design Patent**
Luque

(10) **Patent No.:** **US D771,268 S**

(45) **Date of Patent:** **** Nov. 8, 2016**

(54) **SHIRODHARA APPARATUS**

(71) Applicant: **Ana Luque**, Beverly Hills, CA (US)

(72) Inventor: **Ana Luque**, Beverly Hills, CA (US)

(**) Term: **14 Years**

(21) Appl. No.: **29/472,190**

(22) Filed: **Nov. 8, 2013**

(51) **LOC (10) Cl.** **24-99**

(52) **U.S. Cl.**
USPC **D24/200**

(58) **Field of Classification Search**
USPC D24/200; 424/756
CPC A61K 36/9066; A61K 36/484; A61K
36/74; A61K 36/88; A61K 36/58
See application file for complete search history.

(56) **References Cited**

U.S. PATENT DOCUMENTS

D195,537 S *	6/1963	Kendall	D24/200
D343,899 S *	2/1994	Lott	D24/130
D380,551 S *	7/1997	Ohnuma	D10/81
D419,681 S *	1/2000	Chen	D24/211
D630,763 S *	1/2011	Marshall	D24/215
D699,842 S *	2/2014	Bang	D24/131
D732,184 S *	6/2015	Chou	D24/215
2014/0212520 A1 *	7/2014	Del Vecchio	A23K 1/1873 424/744

OTHER PUBLICATIONS

Pure spa direct, Copper Shirodhara Stand by Ajara Ayurvedic Beauty, Nov. 20, 2015, <http://www.purespadirect.com/Copper-Shirodhara-Stand-52-p/pj-414110.htm>.*

Blissful mind spa, Shirodhara Equipment, Aug. 21, 2012, <http://blissfulmindspa.com/>.*

Youtube, blissful mindspa shirodhara equipment (2:06-2:21), Jul. 18, 2013, https://www.youtube.com/watch?v=Lht55H_ZJaU.*

* cited by examiner

Primary Examiner — David Muller

Assistant Examiner — Nathan Johnston

(74) *Attorney, Agent, or Firm* — Buche & Associates, P.C.; John K. Buche; Bryce A. Johnson

(57) **CLAIM**

I claim the ornamental design of a shirodhara apparatus, as shown and described.

DESCRIPTION

FIG. 1 is a perspective view of shirodhara apparatus showing my new design,

FIG. 2 is a front elevation view thereof;

FIG. 3 is a rear elevation view thereof;

FIG. 4 is a right side elevation view thereof;

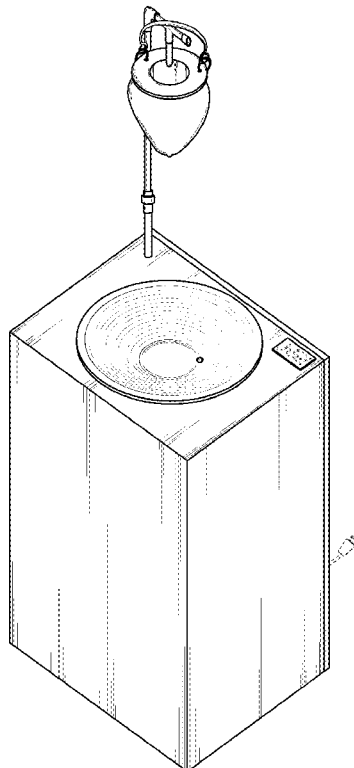
FIG. 5 is a left side elevation view thereof;

FIG. 6 is a top plan view thereof; and,

FIG. 7 is a bottom plan view thereof.

In the figures, features of the apparatus drawn in broken lines form no part of the claimed design.

1 Claim, 4 Drawing Sheets



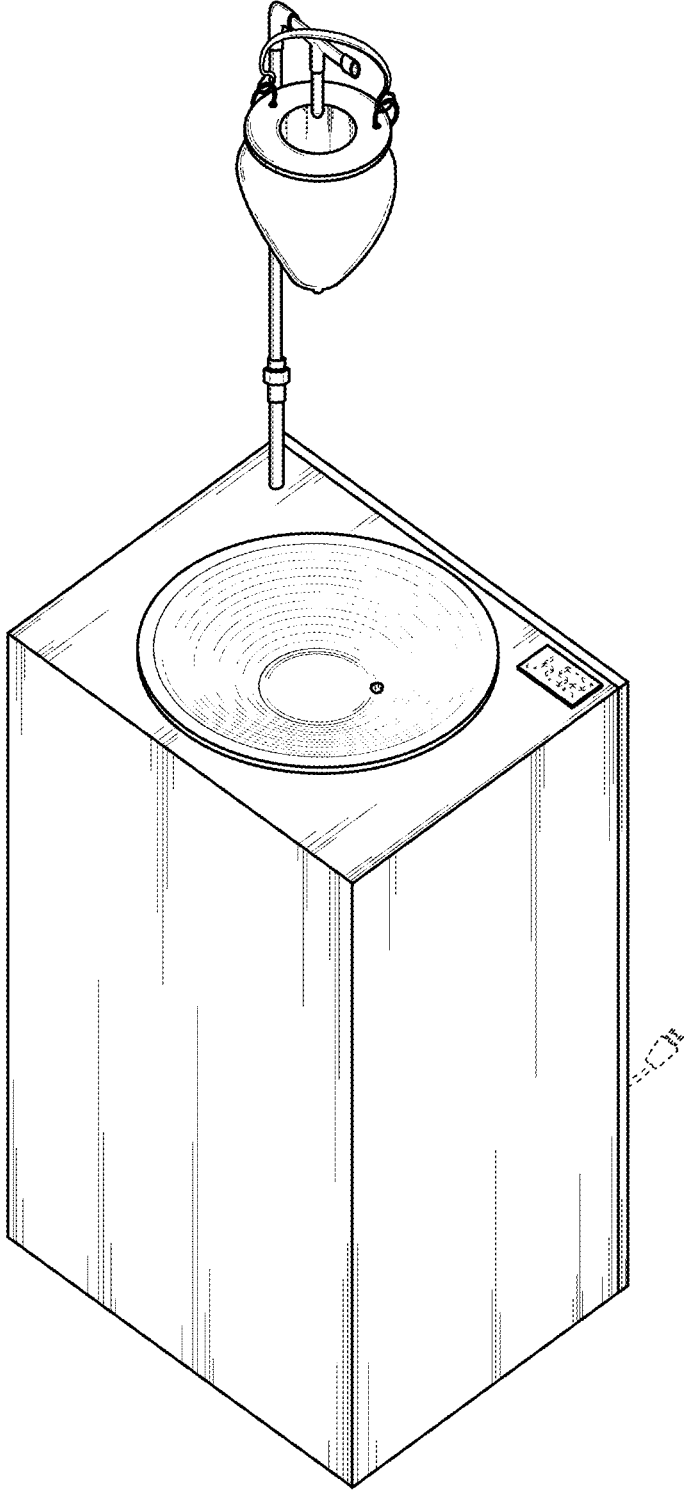


FIG. 1

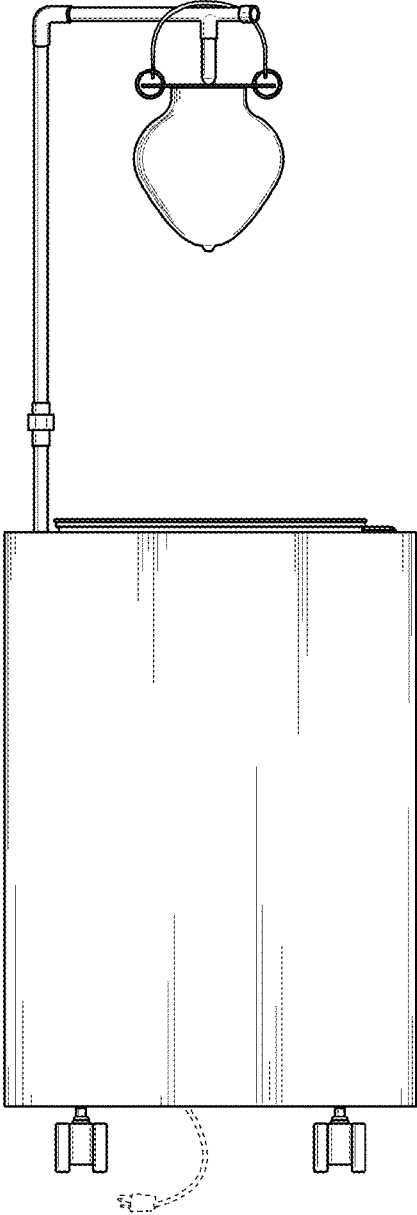


FIG. 2

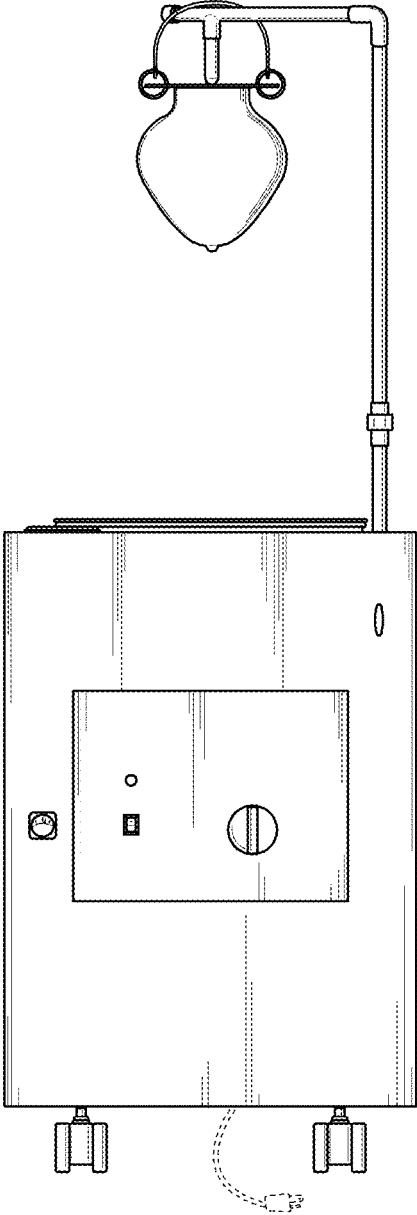


FIG. 3

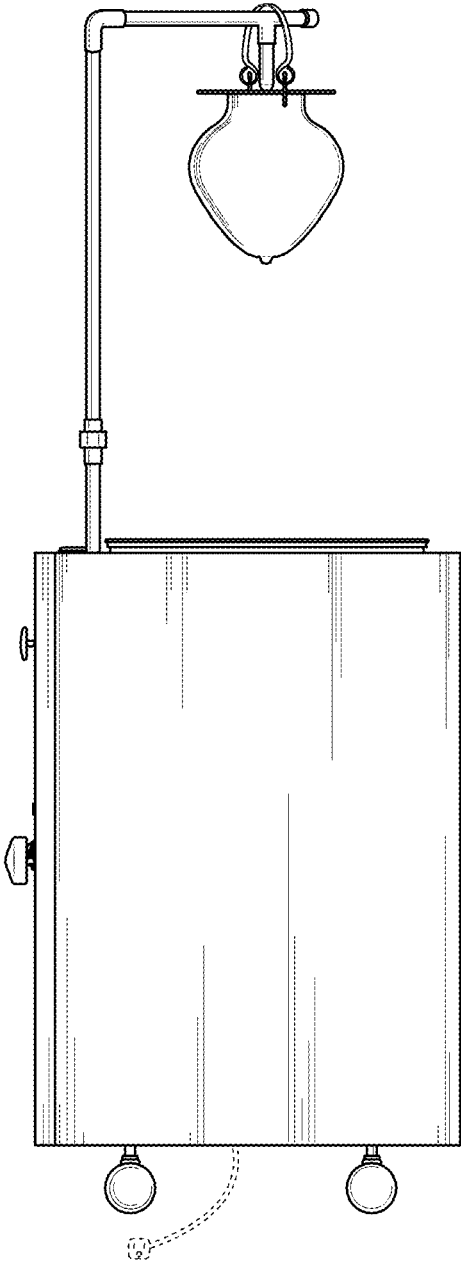


FIG. 4

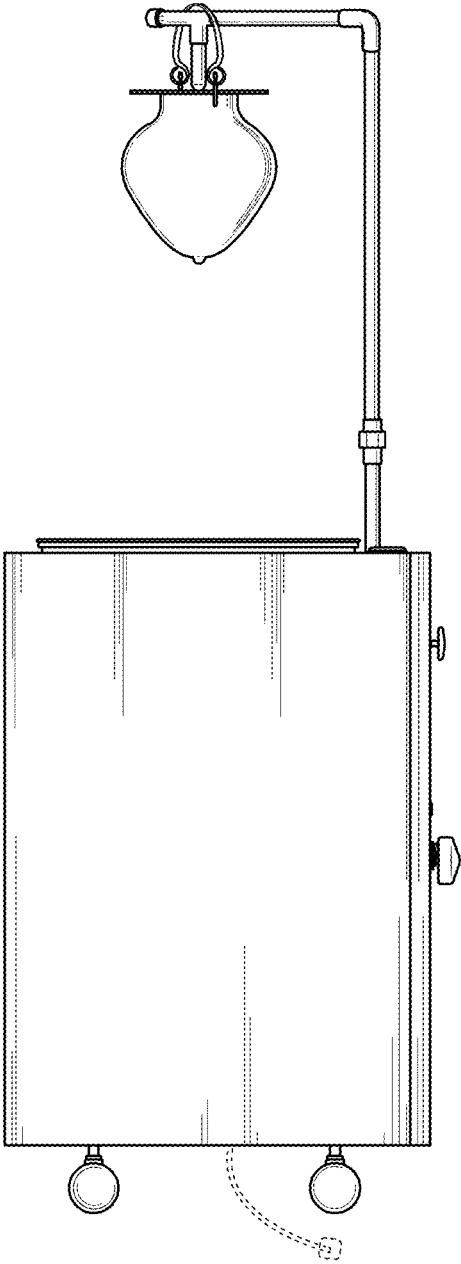


FIG. 5

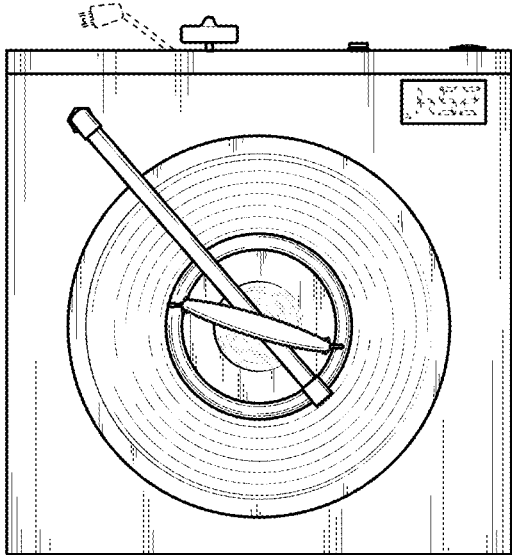


FIG. 6

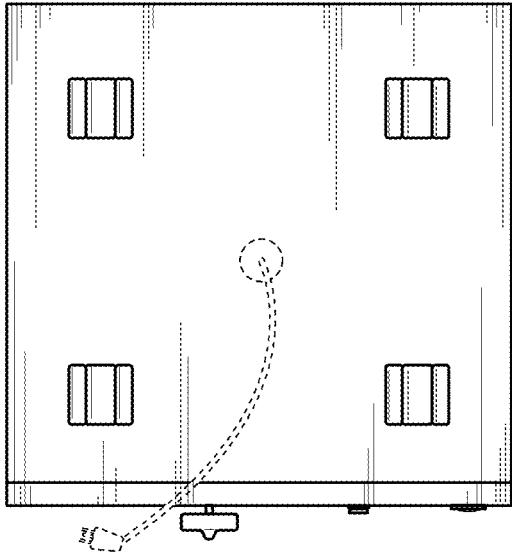


FIG. 7