

(12) **United States Design Patent**
Mai

(10) **Patent No.:** **US D758,602 S**
(45) **Date of Patent:** **** Jun. 7, 2016**

(54) **PEDICURE SPA**

(71) Applicant: **Tony Thuy X. Mai**, Pearland, TX (US)

(72) Inventor: **Tony Thuy X. Mai**, Pearland, TX (US)

(**) Term: **14 Years**

(21) Appl. No.: **29/519,742**

(22) Filed: **Mar. 6, 2015**

(51) **LOC (10) Cl.** **28-03**

(52) **U.S. Cl.**
USPC **D24/204**

(58) **Field of Classification Search**

USPC D24/200–205, 212–213; D28/56, 61;
D6/336; D21/473–474, 483, 519, 523;
D23/204; 4/538, 541.1, 541.6, 574.1,
4/579, 619, 621, 622, 627; 601/30–32,
601/64, 157–158; 607/44
CPC A47K 3/02; A47K 3/06; A47K 3/022;
A61H 33/6063; A61H 33/0087; A61H 33/02;
A61H 33/60; A61H 33/6005; A61H 33/601;
A61H 35/00; A61H 35/006
See application file for complete search history.

(56) **References Cited**

U.S. PATENT DOCUMENTS

D541,060 S * 4/2007 Fugate D6/335
D549,999 S * 9/2007 Fugate D6/708.18
D566,407 S * 4/2008 Gay D6/336
D588,844 S * 3/2009 Tran D6/708.18
D589,285 S * 3/2009 Tran D6/708.18
D622,858 S * 8/2010 Jan D24/204

D623,428 S * 9/2010 Galati, Jr. D6/336
D670,354 S * 11/2012 Tran D23/204
D675,704 S * 2/2013 Niu D23/204
D701,318 S * 3/2014 Tran D24/204
D701,967 S * 4/2014 Mai D24/204
D707,836 S * 6/2014 Long D24/204
D718,411 S * 11/2014 Tran D23/204

OTHER PUBLICATIONS

T4 Concepts & Designs, LLC, Product Catalog, 2007, T4 Concepts & Designs, LLC, Baton Rouge, LA, USA.

* cited by examiner

Primary Examiner — Catheri Oliver-Garcia

Assistant Examiner — Rebekah Caruso

(74) *Attorney, Agent, or Firm* — Buche & Associates, P.C.;
John K. Buche; Scott D. Compton

(57) **CLAIM**

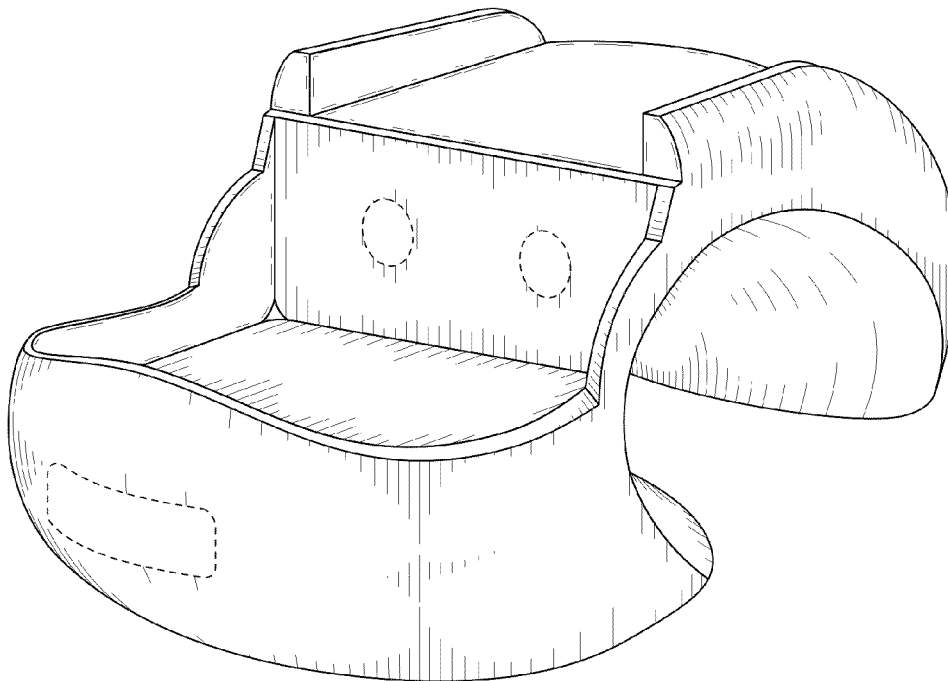
The ornamental design for a pedicure spa, as shown and described.

DESCRIPTION

FIG. 1 is a front perspective view of a pedicure spa showing my new design;
FIG. 2 is a left side elevational view thereof;
FIG. 3 is right side elevational view thereof;
FIG. 4 is front elevational view thereof;
FIG. 5 is a back elevational view thereof; and,
FIG. 6 is a front perspective view of the pedicure spa in its environment.

The ornamental design which is claimed is shown in solid lines in the drawings. The broken lines in the drawings depict environmental structure and form no part of the claimed design.

1 Claim, 3 Drawing Sheets



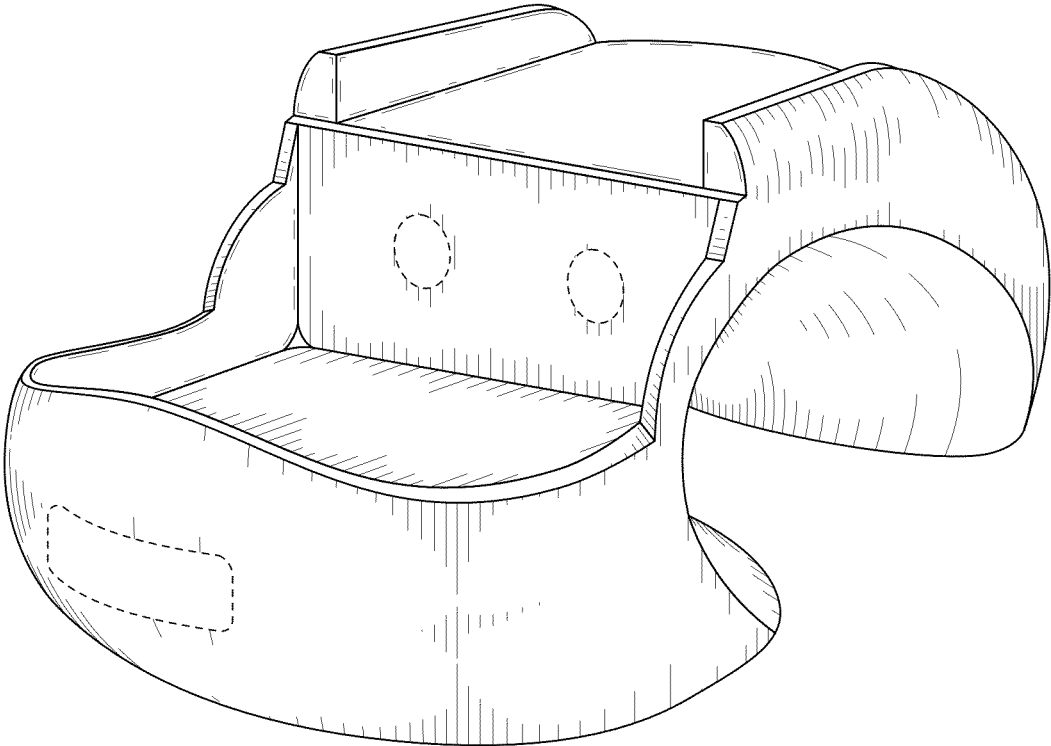


FIG. 1

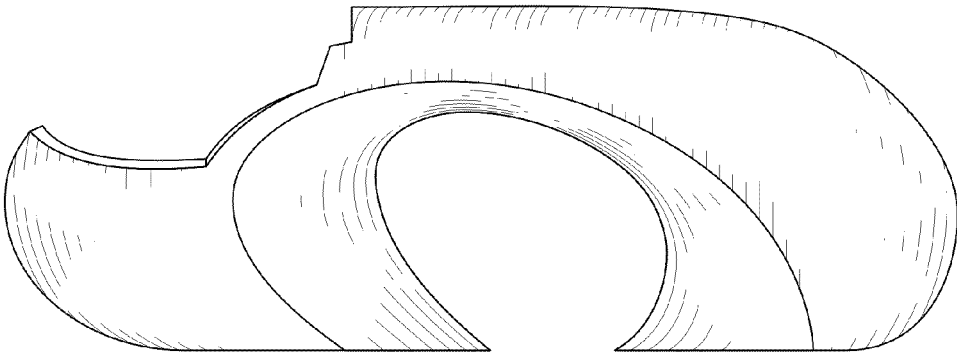


FIG. 2

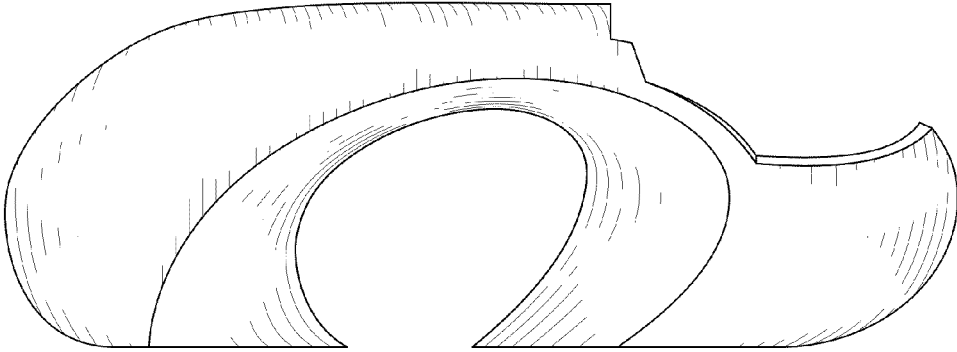


FIG. 3

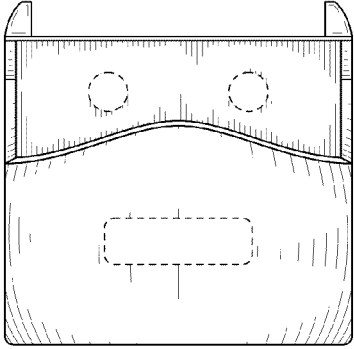


FIG. 4

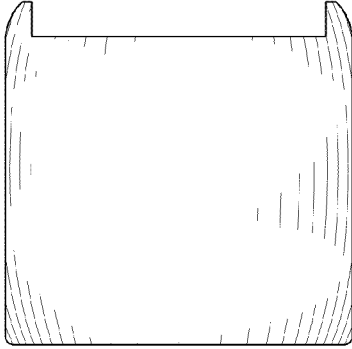


FIG. 5

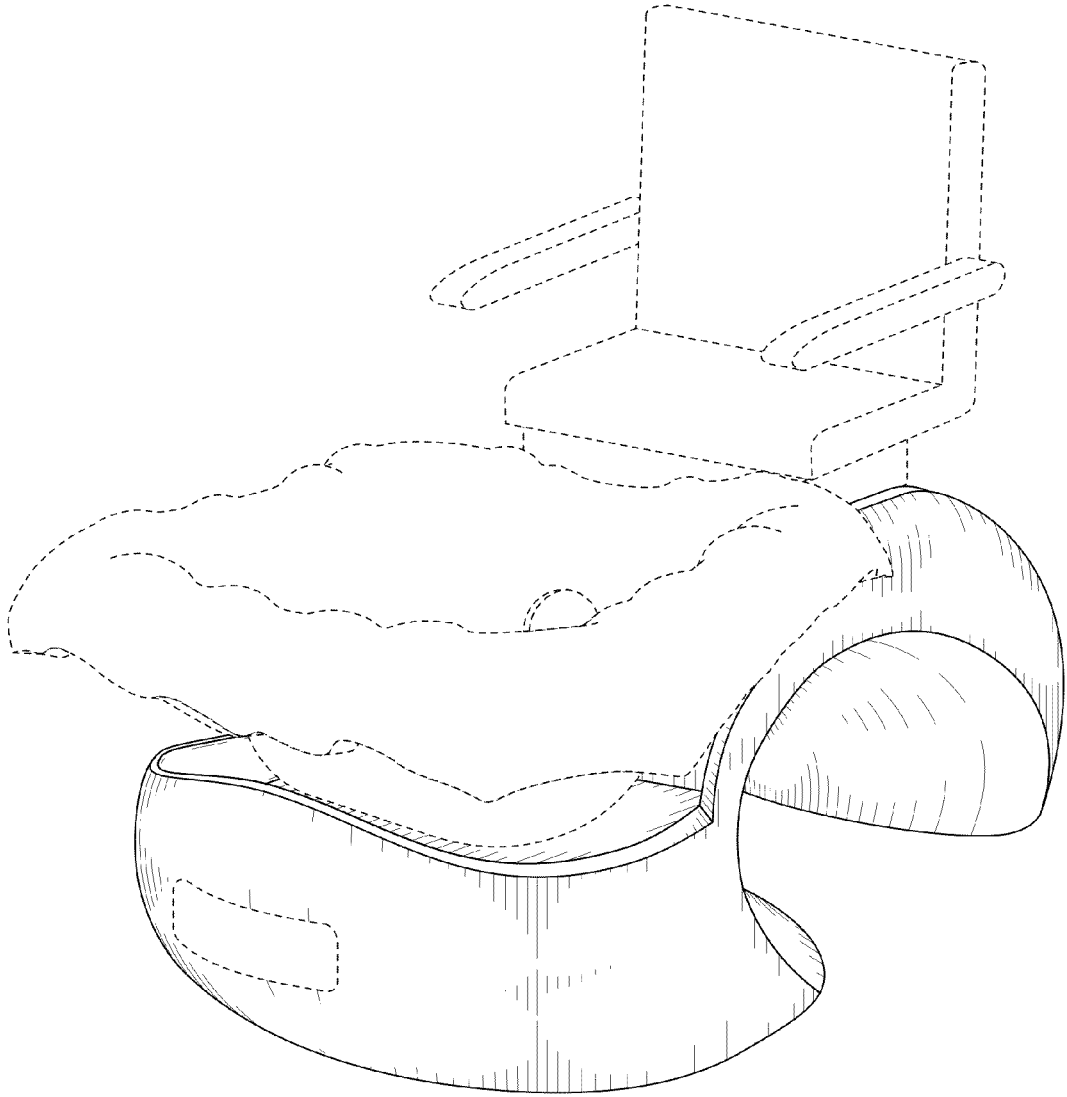


FIG. 6