



US00D749514S

(12) **United States Design Patent**  
**Medley et al.**

(10) **Patent No.:** **US D749,514 S**

(45) **Date of Patent:** **\*\* Feb. 16, 2016**

(54) **STAKE PLUG**

(56) **References Cited**

(71) Applicants: **Mark Medley**, Covina, CA (US); **Jeff Millar-Sax**, Yucalpa, CA (US); **Gerry Bateman**, Pinehurst, NC (US); **Cynthia Marvel**, Clearwater, FL (US); **Meng Choo Loh**, Los Angeles, CA (US)

U.S. PATENT DOCUMENTS

D453,497 S *	2/2002	Stekelenburg	.....	D13/139.4
D460,415 S *	7/2002	Stekelenburg	.....	D13/139.4
D515,503 S *	2/2006	Lee	.....	D13/139.4
D516,029 S *	2/2006	Stekelenburg	.....	D13/139.4
D638,360 S *	5/2011	Kan	.....	D13/139.4
D638,367 S *	5/2011	Isaacks et al.	.....	D13/152

(72) Inventors: **Mark Medley**, Covina, CA (US); **Jeff Millar-Sax**, Yucalpa, CA (US); **Gerry Bateman**, Pinehurst, NC (US); **Cynthia Marvel**, Clearwater, FL (US); **Meng Choo Loh**, Los Angeles, CA (US)

\* cited by examiner

*Primary Examiner* — Holly Baynham

*Assistant Examiner* — Rhea Shields

(73) Assignee: **PRIME WIRE & CABLE, INC.**, City of Industry, CA (US)

(74) *Attorney, Agent, or Firm* — John K. Buche; Buche & Associates, P.C.

(\*\*) Term: **14 Years**

(57) **CLAIM**

The ornamental design for a stake plug, as shown and described.

(21) Appl. No.: **29/443,207**

**DESCRIPTION**

(22) Filed: **Jan. 14, 2013**

(51) **LOC (10) Cl.** ..... **13-03**

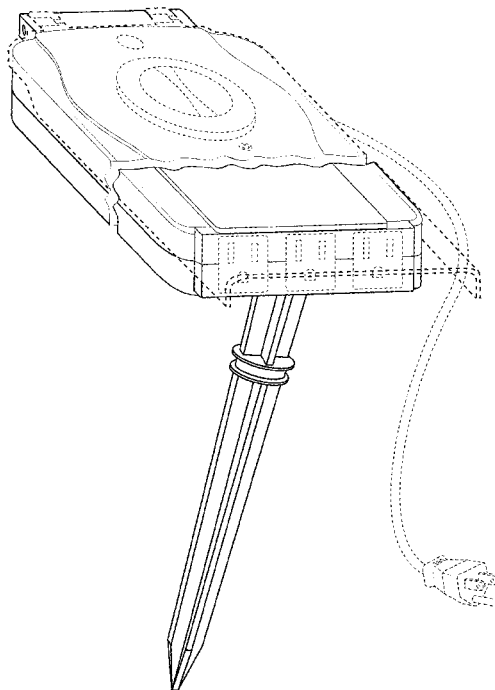
(52) **U.S. Cl.**  
USPC ..... **D13/139.5**

(58) **Field of Classification Search**  
USPC ..... D13/139.5, 139.9, 139, 137.1–137.4,  
D13/138.2, 138.1, 139.2, 139.6, 139.8, 110,  
D13/152, 162, 156, 171, 158, 170, 177, 3;  
174/66, 37–38; 200/5 A, 5 R, 1 B;  
338/201–202; 361/118, 602, 622, 641,  
361/644, 660, 679.05

FIG. 1 is a perspective view of a stake plug.  
FIG. 2 is a top view of a stake plug of FIG. 1.  
FIG. 3 is a bottom view of a stake plug of FIG. 1.  
FIG. 4 is a left-side view of a stake plug of FIG. 1.  
FIG. 5 is a right-side view of a stake plug of FIG. 1.  
FIG. 6 is a collapsed back view of a stake plug of FIG. 1; and,  
FIG. 7 is a collapsed front view of a stake plug of FIG. 1.  
In the drawings, the broken lines are for the purpose of illustrating environment only and form no part of the claimed design.

See application file for complete search history.

**1 Claim, 6 Drawing Sheets**



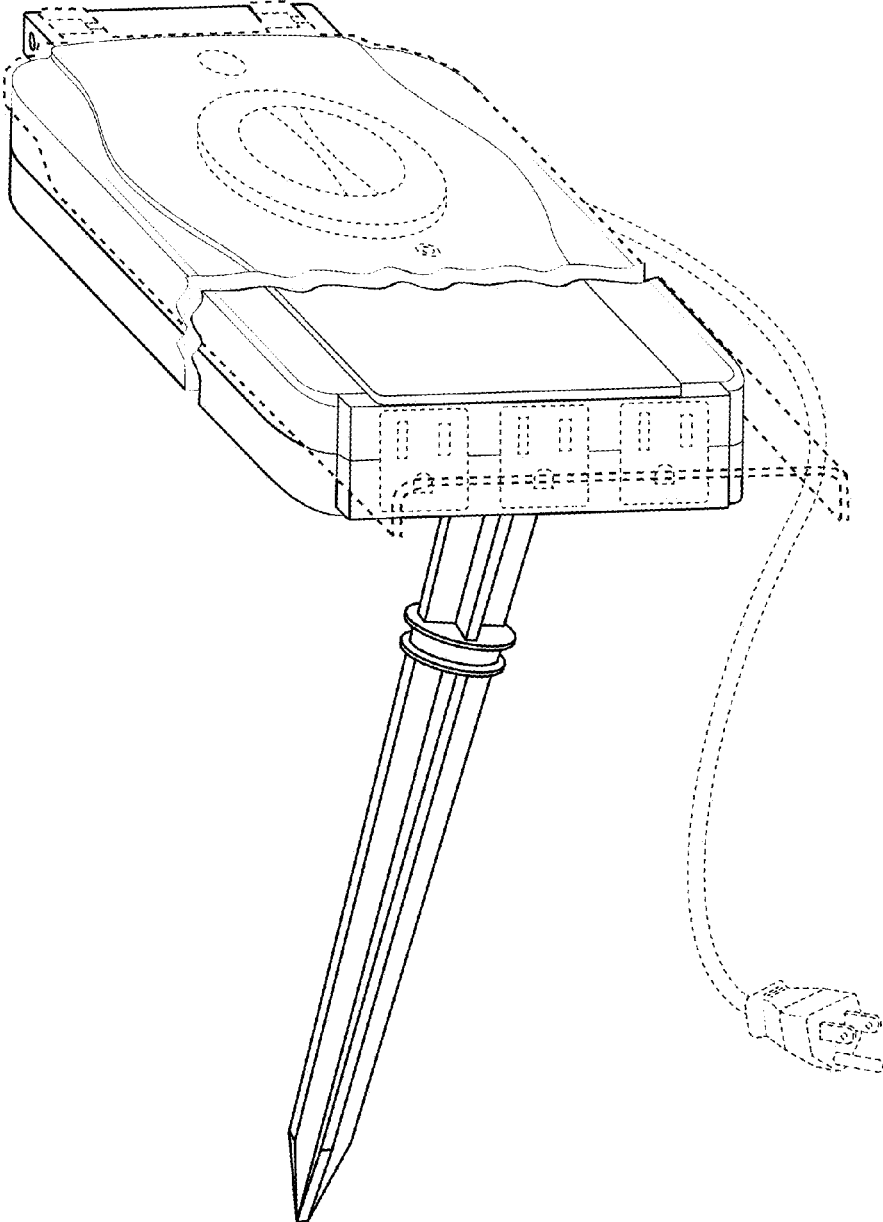


FIG. 1

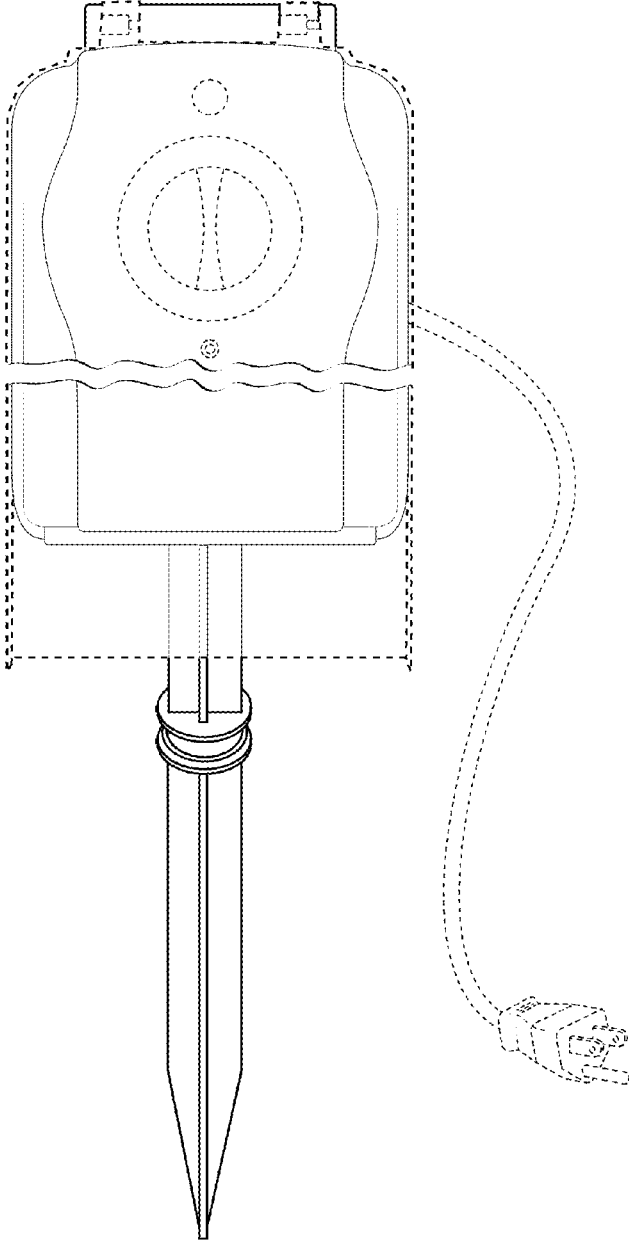


FIG. 2

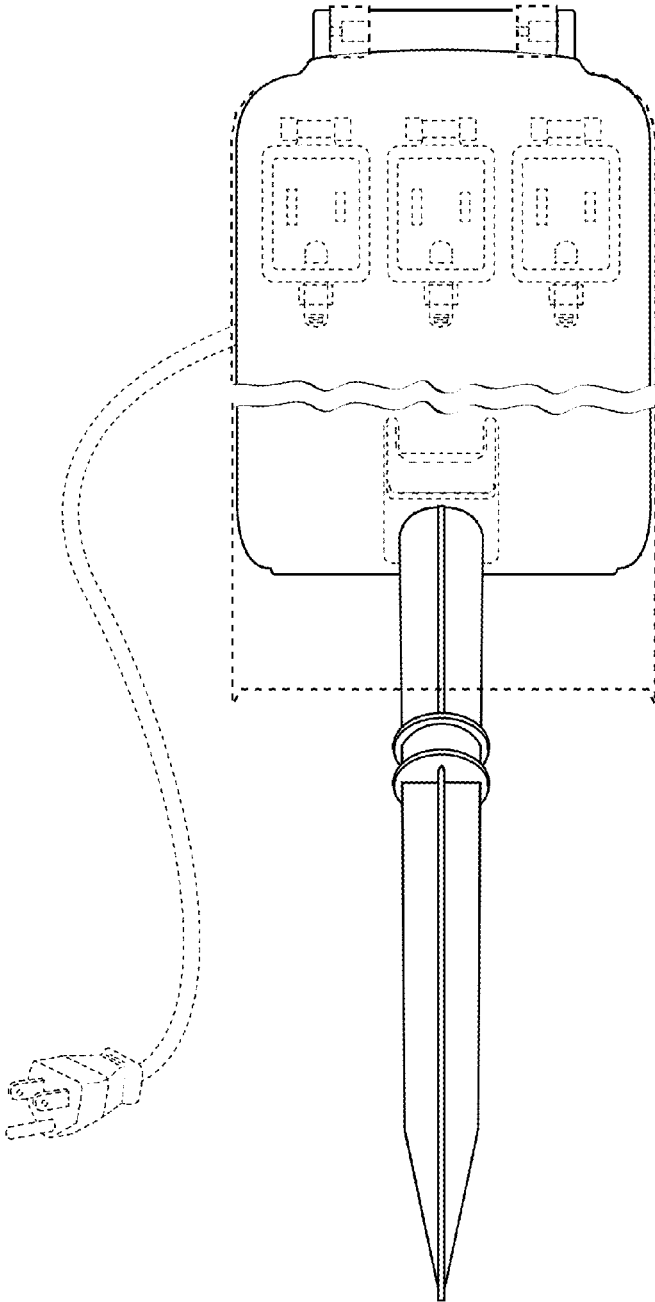


FIG. 3

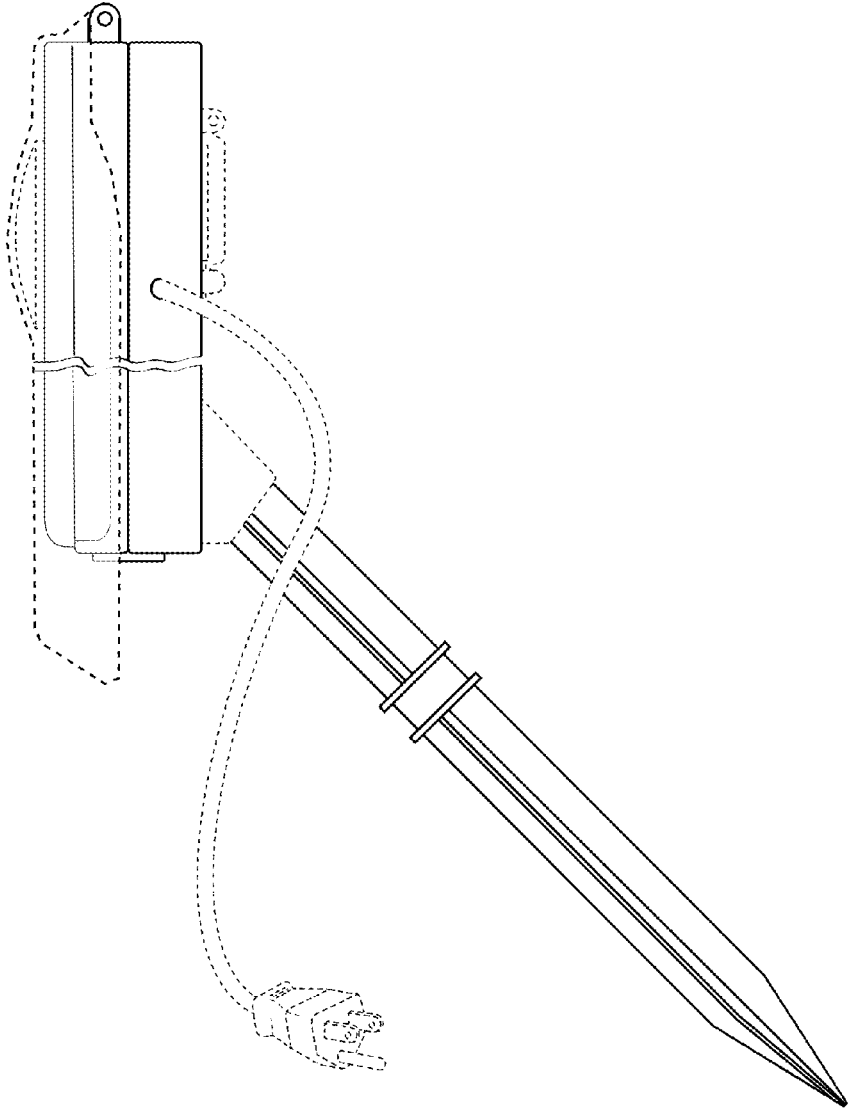


FIG. 4

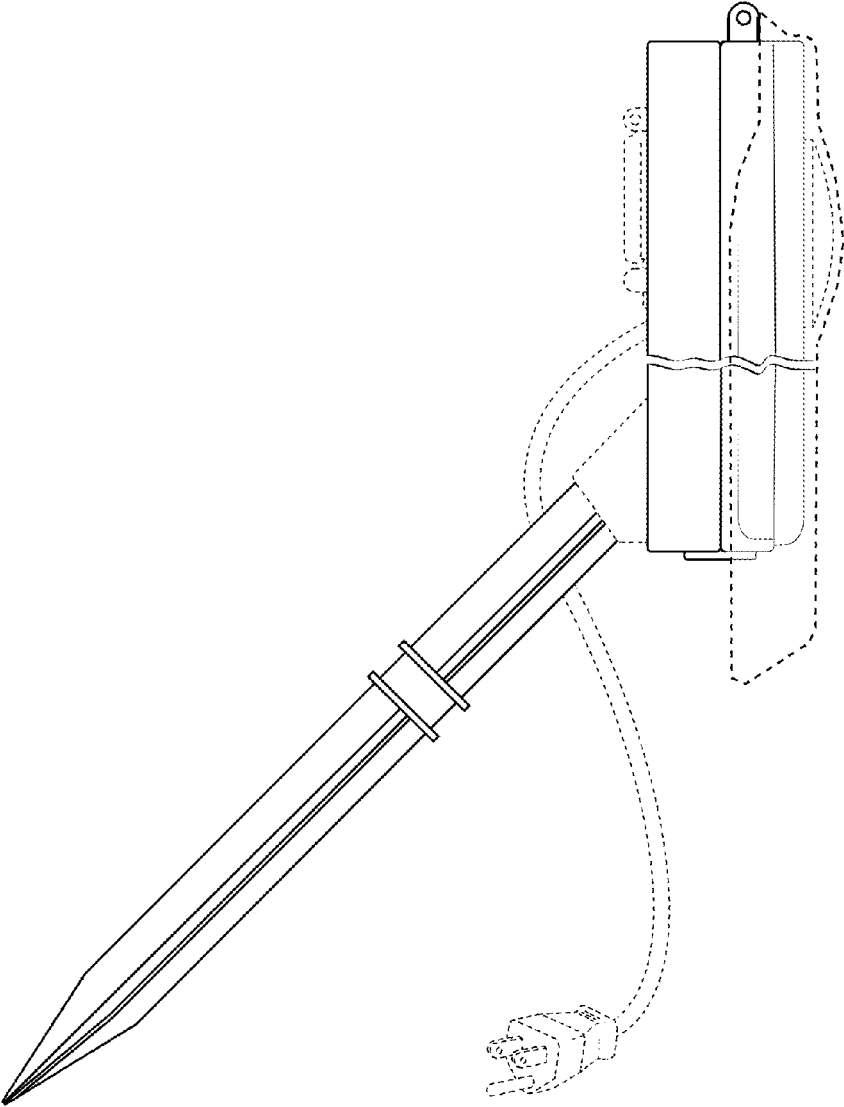


FIG. 5

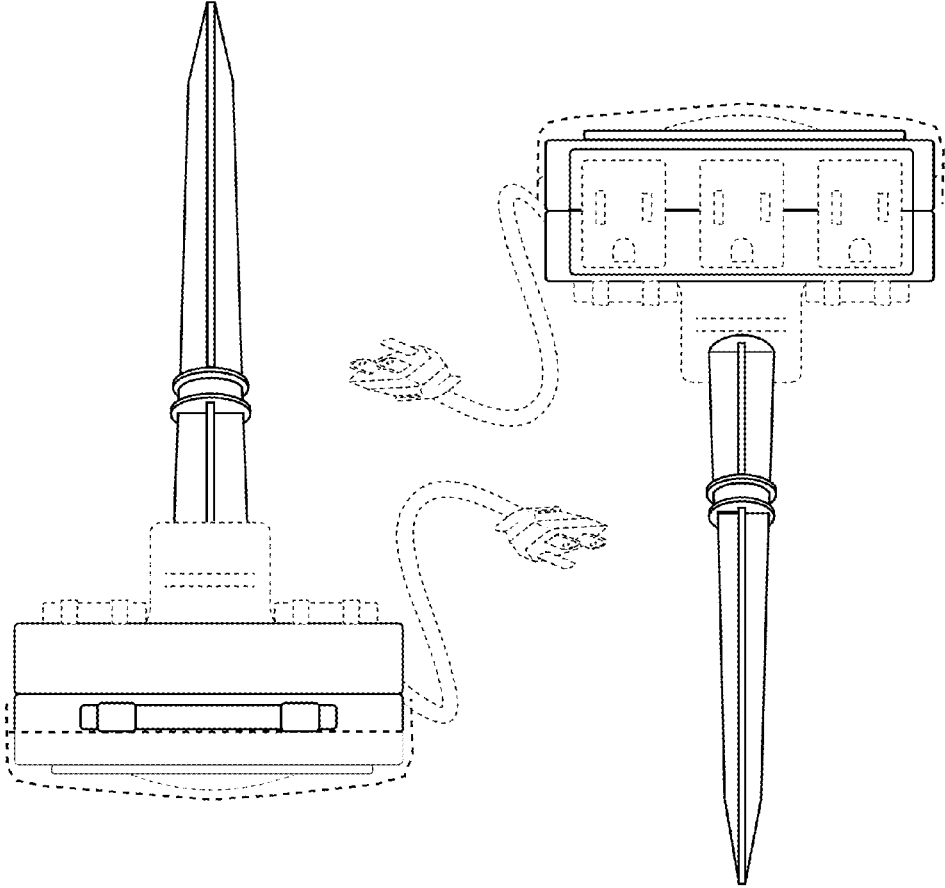


FIG. 6

FIG. 7