

(12) **United States Design Patent**  
**Coleman**

(10) **Patent No.:** **US D735,412 S**  
(45) **Date of Patent:** **\*\* Jul. 28, 2015**

- (54) **CLIPPER ORGANIZER**
- (71) Applicant: **Ron Coleman**, Altadina, CA (US)
- (72) Inventor: **Ron Coleman**, Altadina, CA (US)
- (\*\*) Term: **14 Years**
- (21) Appl. No.: **29/472,809**
- (22) Filed: **Nov. 15, 2013**
- (51) **LOC (10) Cl.** ..... **28-03**
- (52) **U.S. Cl.**  
USPC ..... **D28/61; D28/73; D28/54; D6/672**
- (58) **Field of Classification Search**  
USPC ..... D28/9, 10, 11, 73, 76, 17, 20, 38, 77,  
D28/99, 75, 4, 7, 8, 61, 54, 41, 36, 39;  
248/121, 519, 188.7, 523; D6/677.3,  
D6/405, 682.6, 682.5, 672, 682.2, 546,  
D6/552, 712; D10/125; D24/233, 128,  
D24/214, 194, 200, 189, 158; D3/27, 23,  
D3/24, 205, 215, 224, 229; 132/273, 56,  
132/285, 319, 73, 217, 216; 112/169;  
D16/242, 249; 211/85.2, 70.6; D4/127,  
D4/128, 114, 138; 606/234; D21/682, 362;  
D18/15; 224/245, 148.4, 148.6;  
604/289; D20/11, 21; 359/892, 891;  
D19/112; 215/391  
CPC ..... A47K 1/08; A47F 5/08; A47F 5/02;  
A47F 5/04; A45F 3/16; A45F 3/18; A45D  
44/12; A45D 40/30; A45D 2/48; A41D 13/05;  
A45B 1/06  
See application file for complete search history.

(56) **References Cited**

U.S. PATENT DOCUMENTS

- D31,854 S \* 11/1899 Hudgin ..... D6/310  
D174,407 S \* 4/1955 Anderle ..... D6/449  
2,905,328 A \* 9/1959 Munao et al. .... 211/85.2

- D187,093 S \* 1/1960 Anderle ..... D6/449  
2,985,315 A \* 5/1961 Paruolo ..... 211/189  
D237,931 S \* 12/1975 Brandenfels ..... D6/465  
3,998,332 A \* 12/1976 Lambertson ..... 211/71.01  
D244,913 S \* 7/1977 Brandenfels ..... D6/462  
D248,915 S \* 8/1978 Brandenfels ..... D6/462  
4,127,196 A \* 11/1978 Boucher ..... 211/207  
4,312,452 A \* 1/1982 Waier ..... 211/23  
D352,190 S \* 11/1994 Tucker ..... D6/468  
5,615,783 A \* 4/1997 Warnken ..... 211/118  
5,660,637 A \* 8/1997 Dodge ..... 118/500  
D391,421 S \* 3/1998 Steelman ..... D6/479  
D466,331 S \* 12/2002 Chang ..... D6/411  
6,571,968 B1 \* 6/2003 Cullen ..... 211/113  
6,789,687 B2 \* 9/2004 Cramer ..... 211/106.01  
D562,572 S \* 2/2008 Nothel ..... D6/310  
D601,833 S \* 10/2009 Stukenberg ..... D6/509

(Continued)

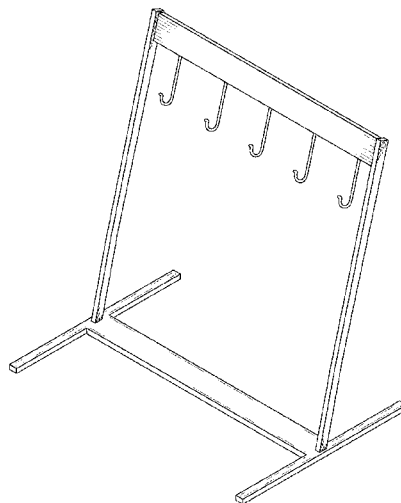
*Primary Examiner* — Marianne Pandozzi  
(74) *Attorney, Agent, or Firm* — Buche & Associates, P.C.;  
John K. Buche

(57) **CLAIM**  
The ornamental design for a clipper organizer, as shown and described.

**DESCRIPTION**

FIG. 1 is a perspective view of a clipper organizer showing my new design;  
FIG. 2 is a front elevational view of the clipper organizer;  
FIG. 3 is a back elevational view of the clipper organizer;  
FIG. 4 is a left side elevational view of the clipper organizer;  
FIG. 5 is a right side elevational view of the clipper organizer;  
FIG. 6 is a top view of the clipper organizer;  
FIG. 7 is a bottom view of the clipper organizer; and,  
FIG. 8 is an environmental perspective view of the clipper organizer.  
The broken lines in the drawings are included for the purpose of illustration and form no part of the claimed design.

**1 Claim, 5 Drawing Sheets**



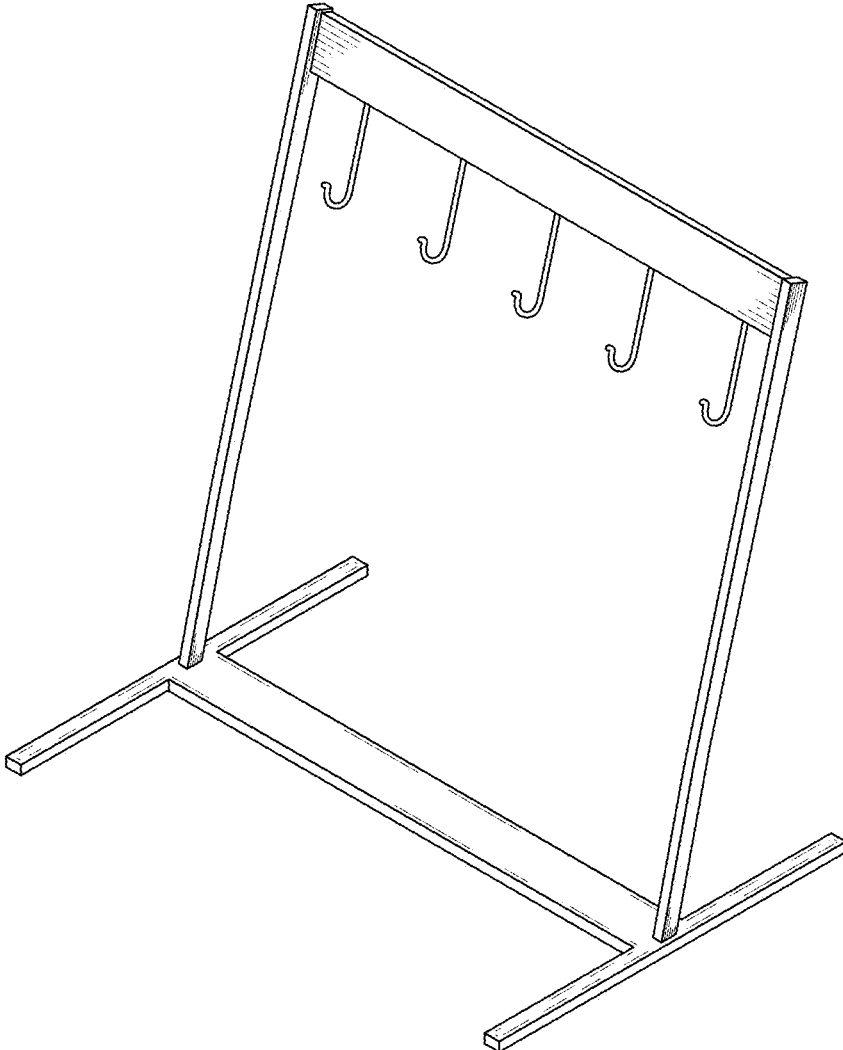
(56)

**References Cited**

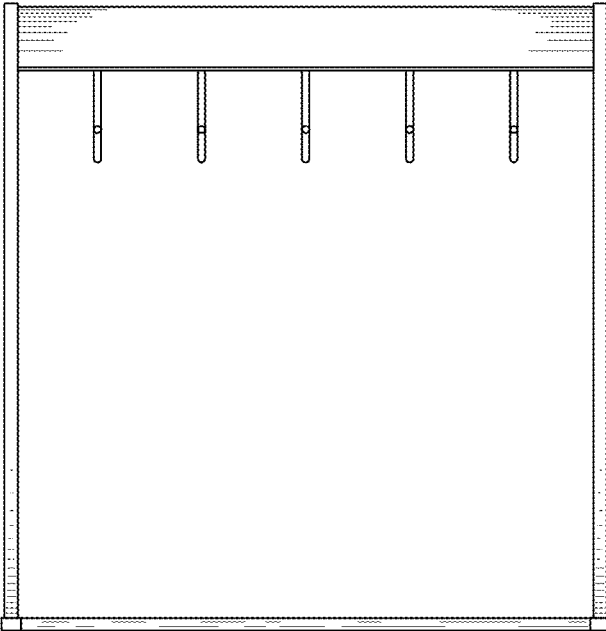
U.S. PATENT DOCUMENTS

D608,945 S *	1/2010	Coleman et al. ....	D28/9	D665,946 S *	8/2012	McNair .....	D28/10
D622,084 S *	8/2010	Stukenberg et al. ....	D6/467	8,439,210 B1 *	5/2013	Griffith .....	211/119.004
7,954,652 B2 *	6/2011	Kao .....	211/70.6	D704,973 S *	5/2014	Denby et al. ....	D6/708
				8,959,813 B2 *	2/2015	Denby et al. ....	40/606.03
				2003/0106868 A1 *	6/2003	Cramer .....	211/106.01

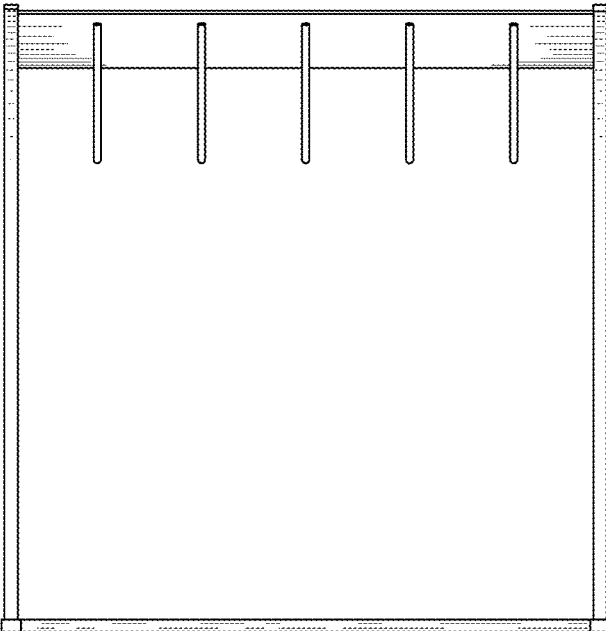
\* cited by examiner



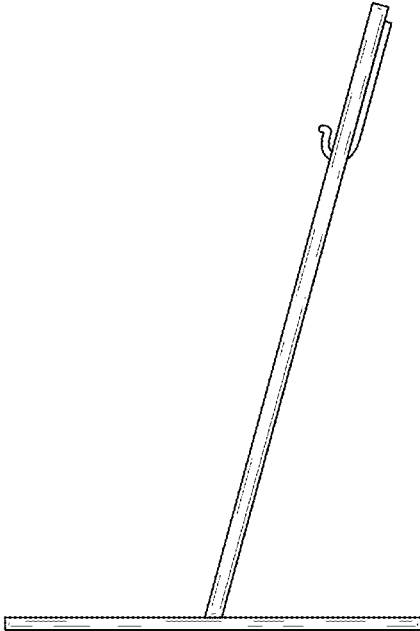
**FIG. 1**



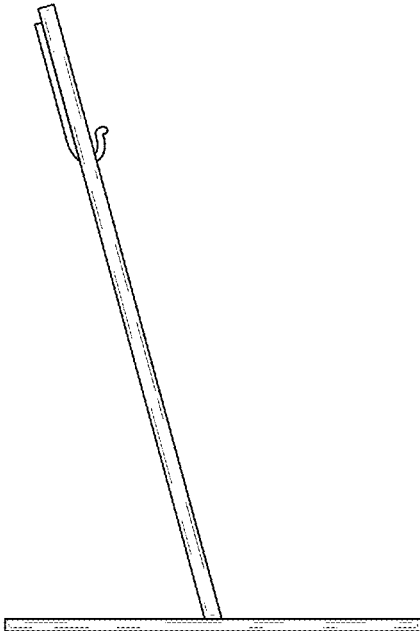
**FIG. 2**



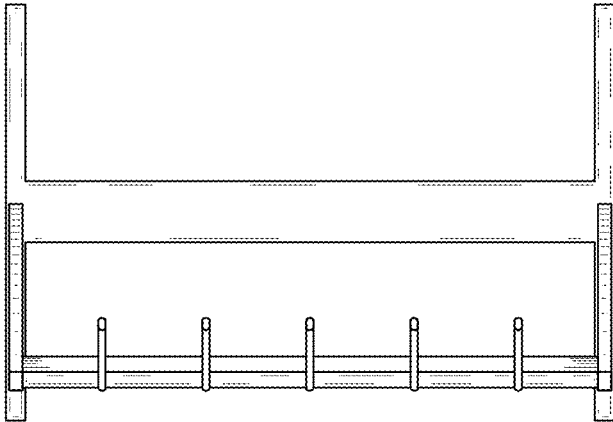
**FIG. 3**



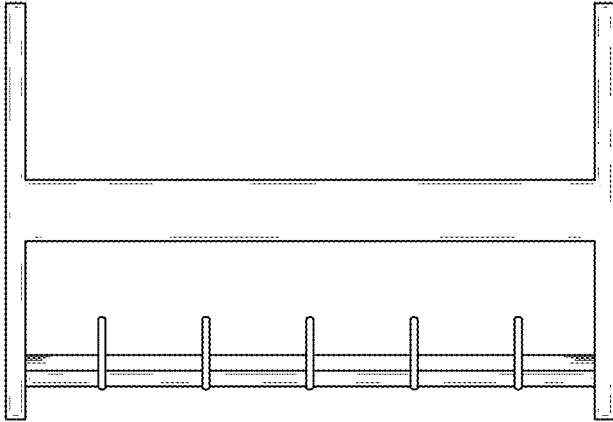
**FIG. 4**



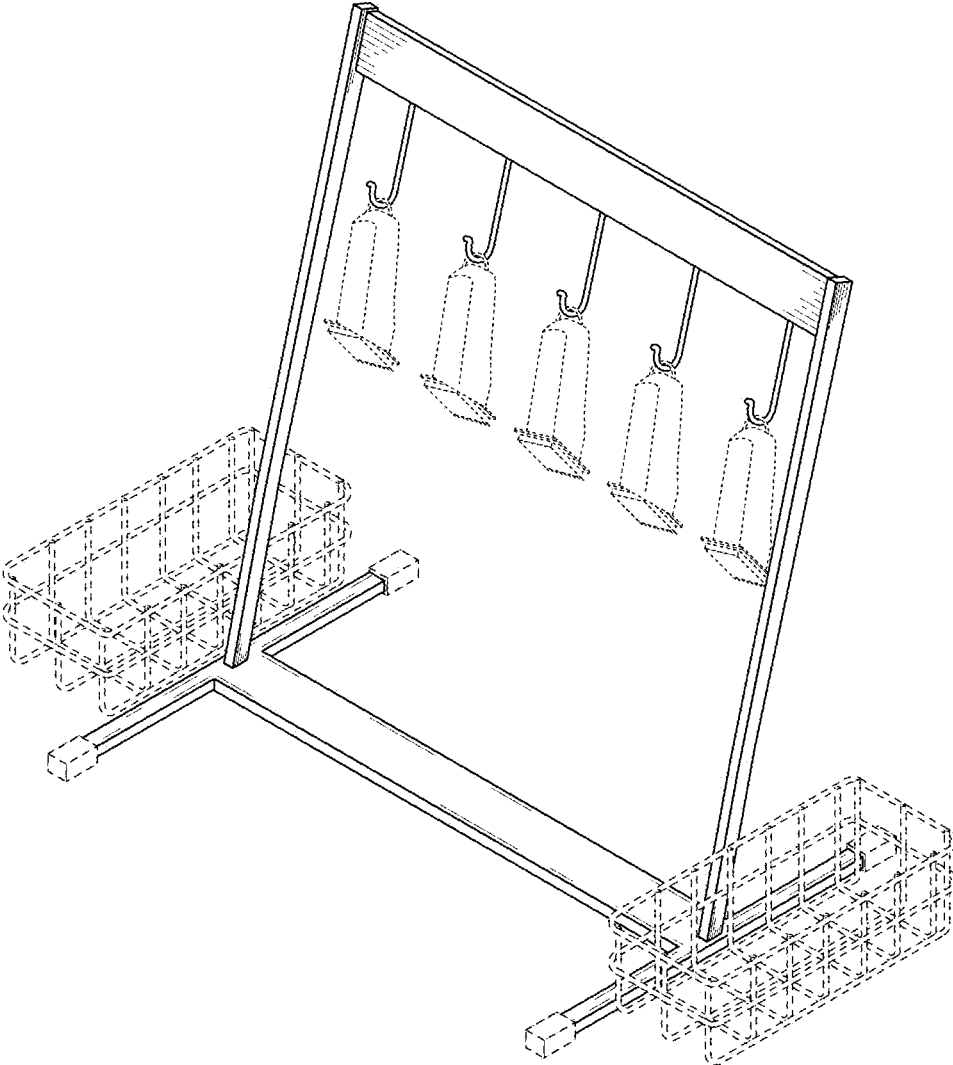
**FIG. 5**



**FIG. 6**



**FIG. 7**



**FIG. 8**