



US00D722823S

(12) **United States Design Patent**  
**Del Mar Menendez**

(10) **Patent No.: US D722,823 S**  
(45) **Date of Patent: \*\* Feb. 24, 2015**

- (54) **CUP**
- (71) Applicant: **Betania Maria Del Mar Menendez,**  
Winnetka, CA (US)
- (72) Inventor: **Betania Maria Del Mar Menendez,**  
Winnetka, CA (US)
- (\*\*) Term: **14 Years**
- (21) Appl. No.: **29/447,789**
- (22) Filed: **Mar. 6, 2013**
- (51) **LOC (10) Cl. .... 07-01**
- (52) **U.S. Cl.**  
USPC ..... **D7/507; D7/509**
- (58) **Field of Classification Search**  
CPC ..... A47G 19/22  
USPC ..... D7/514, 515, 517, 522, 509, 523, 507;  
D9/624; 222/403, 400; 220/675, 703;  
604/78; 206/217, 219; 229/401  
See application file for complete search history.

4,039,435	A *	8/1977	Narva	.....	206/217
4,061,782	A	12/1977	Baxter		
D256,077	S *	7/1980	Brockman et al.	.....	D7/507
5,620,724	A *	4/1997	Adler	.....	426/77
6,042,858	A *	3/2000	Kairys	.....	426/119
6,871,995	B2 *	3/2005	Simba	.....	366/129
8,322,875	B2 *	12/2012	Brinson	.....	362/101
8,333,145	B2 *	12/2012	Kowlessar	.....	99/426

**FOREIGN PATENT DOCUMENTS**

WO WO9502981 2/1995

\* cited by examiner

*Primary Examiner* — Marianne Pandozzi

(74) *Attorney, Agent, or Firm* — Buche & Associates, P.C.;  
John K. Buche

(57) **CLAIM**

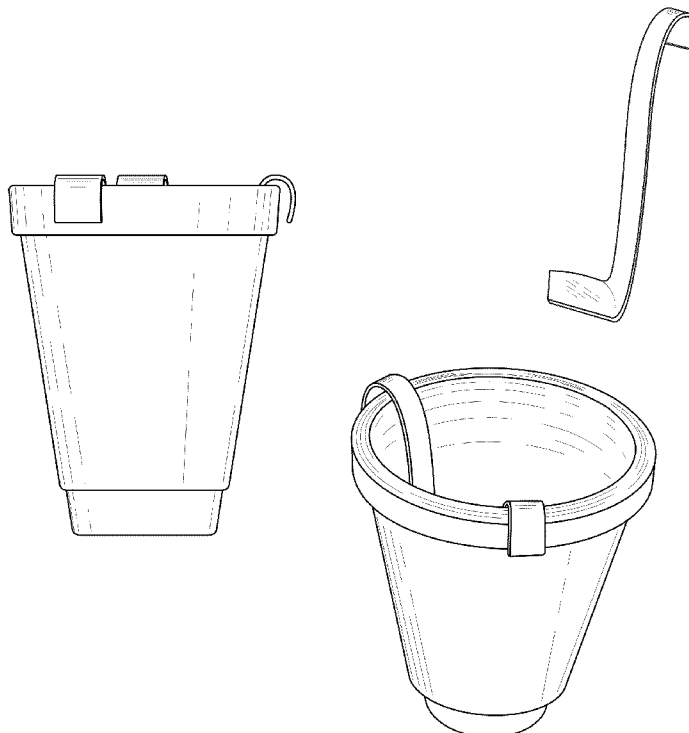
I claim the ornamental design of a cup, as shown and described.

**DESCRIPTION**

FIG. 1 is a perspective view of a cup showing my new design;  
 FIG. 2 is a rear view thereof;  
 FIG. 3 is a front view thereof;  
 FIG. 4 is a right side view thereof;  
 FIG. 5 is a left side view thereof;  
 FIG. 6 is an enlarged top plan view thereof;  
 FIG. 7 is an enlarged bottom plan view thereof; and,  
 FIG. 8 is an exploded perspective view thereof.  
 Items shown in broken lines do not form part of the claimed design.

**1 Claim, 5 Drawing Sheets**

- (56) **References Cited**  
U.S. PATENT DOCUMENTS
- |           |     |         |               |       |            |
|-----------|-----|---------|---------------|-------|------------|
| 1,483,015 | A * | 2/1924  | Schnackenberg | ..... | 426/86     |
| 1,709,168 | A * | 4/1929  | Epperson      | ..... | 426/86     |
| 1,933,468 | A * | 10/1933 | Abbot         | ..... | 206/217    |
| 2,972,406 | A * | 2/1961  | Mayer         | ..... | 426/86     |
| 3,407,922 | A * | 10/1968 | Palmer        | ..... | 206/217    |
| 3,561,664 | A * | 2/1971  | Palmer        | ..... | 229/120.32 |
| 3,606,068 | A * | 9/1971  | Palmer        | ..... | 220/522    |
| 3,870,220 | A   | 3/1975  | Koury et al.  |       |            |



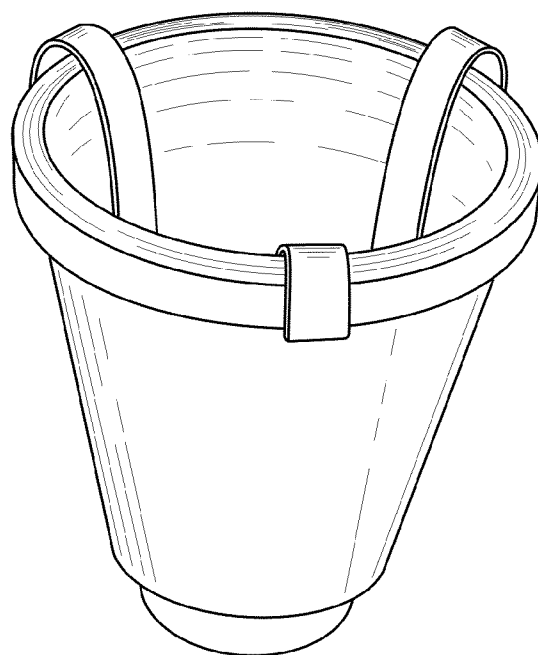


FIG. 1

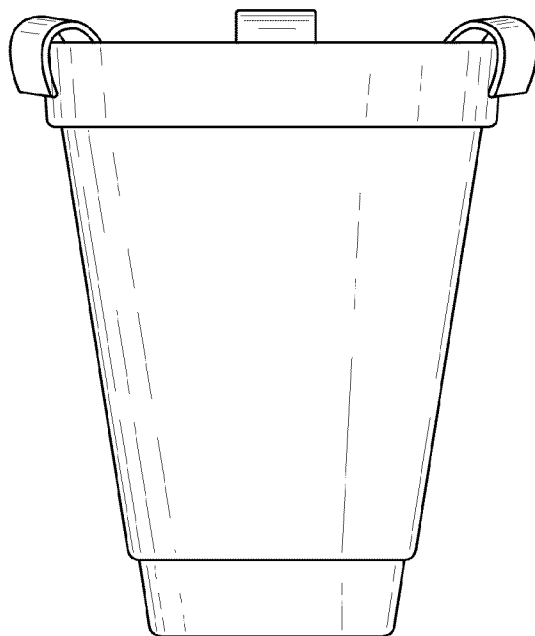


FIG. 2

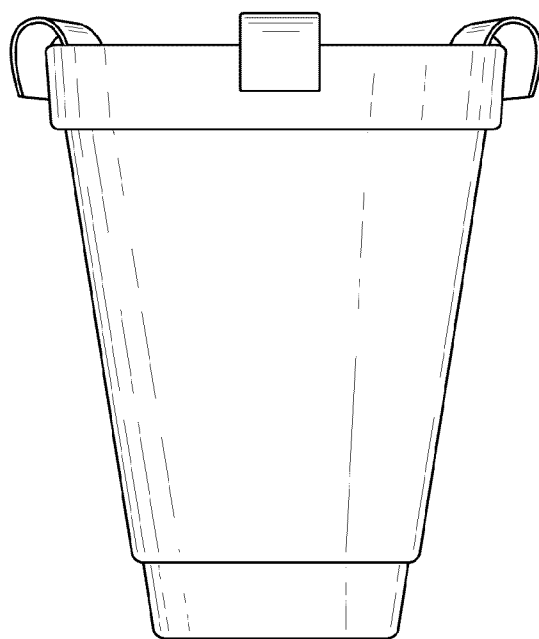


FIG. 3

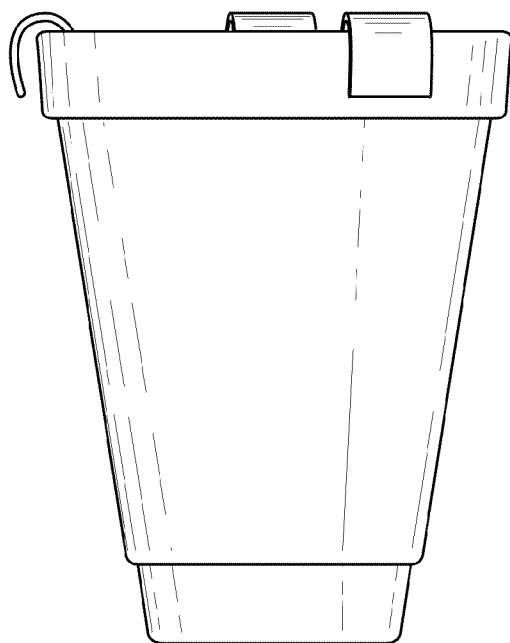


FIG. 4

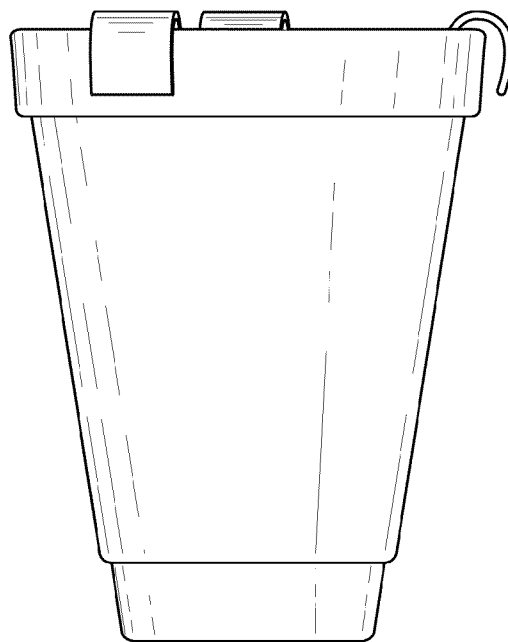


FIG. 5

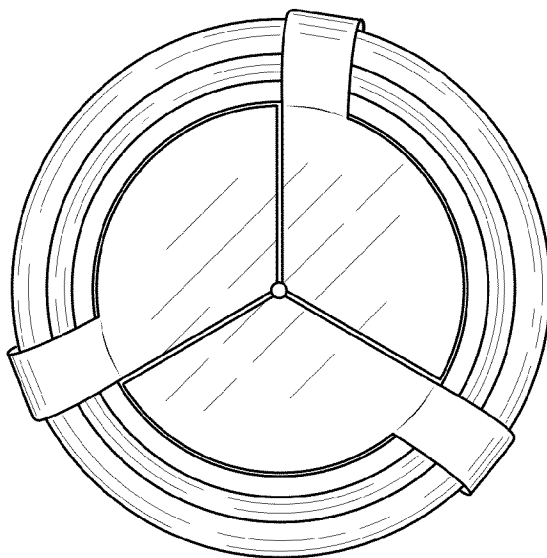


FIG. 6

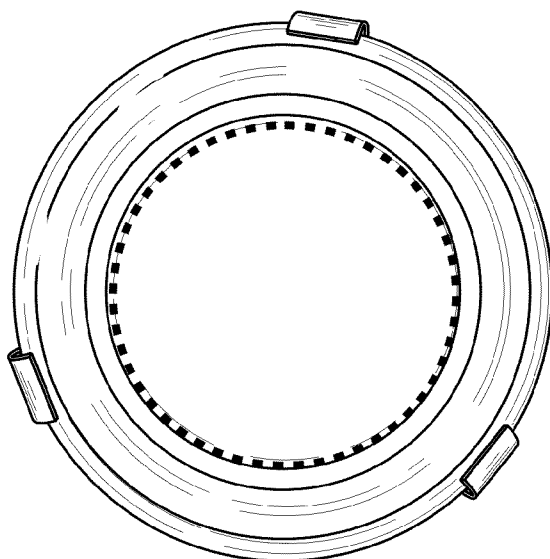


FIG. 7

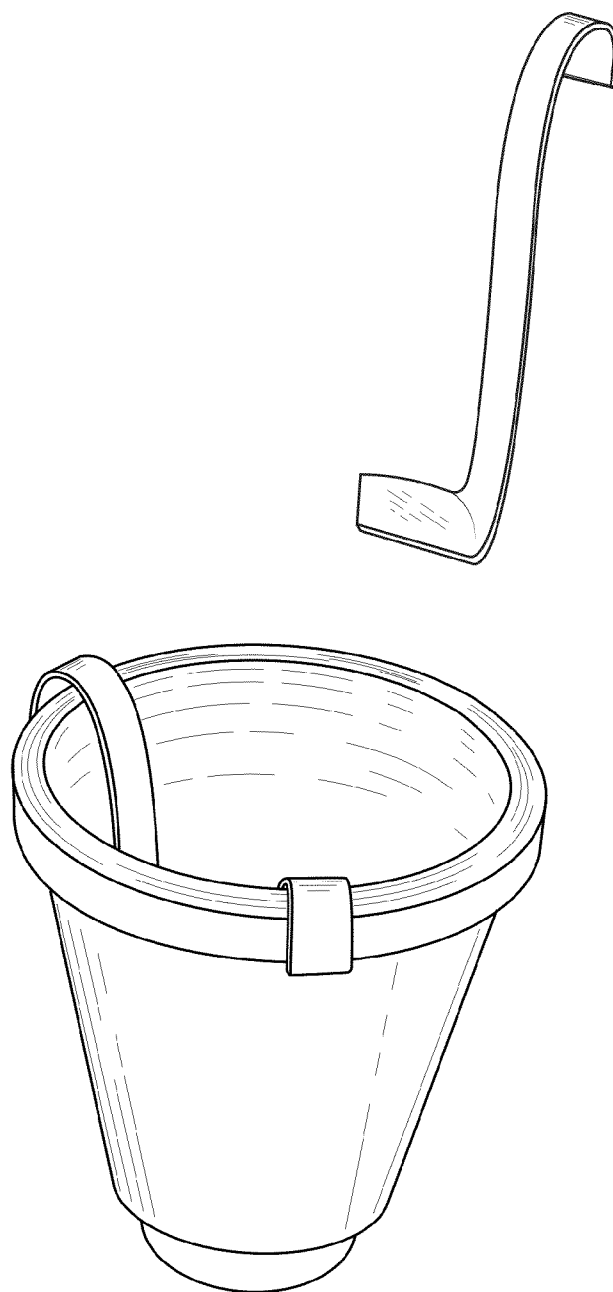


FIG. 8