



US00D711210S

(12) **United States Design Patent**
Gentry

(10) **Patent No.:** **US D711,210 S**
(45) **Date of Patent:** **** Aug. 19, 2014**

(54) **PIPELINE WEIGHT**

8,312,674 B2* 11/2012 Adams 47/79

(76) Inventor: **John William Gentry**, Hollidaysburg,
PA (US)

* cited by examiner

(**) Term: **14 Years**

Primary Examiner — Mark Goodwin

(74) *Attorney, Agent, or Firm* — John K. Buche; Scott
Compton; Buche & Associates, P.C.

(21) Appl. No.: **29/428,538**

(57) **CLAIM**

The ornamental design for a pipeline weight, as shown and
described.

(22) Filed: **Jul. 31, 2012**

(51) **LOC (10) Cl.** **08-08**

(52) **U.S. Cl.**
USPC **D8/349**

DESCRIPTION

(58) **Field of Classification Search**
USPC D8/349; D15/21; 206/515; 138/178,
138/106, 103; 220/238; 405/157
See application file for complete search history.

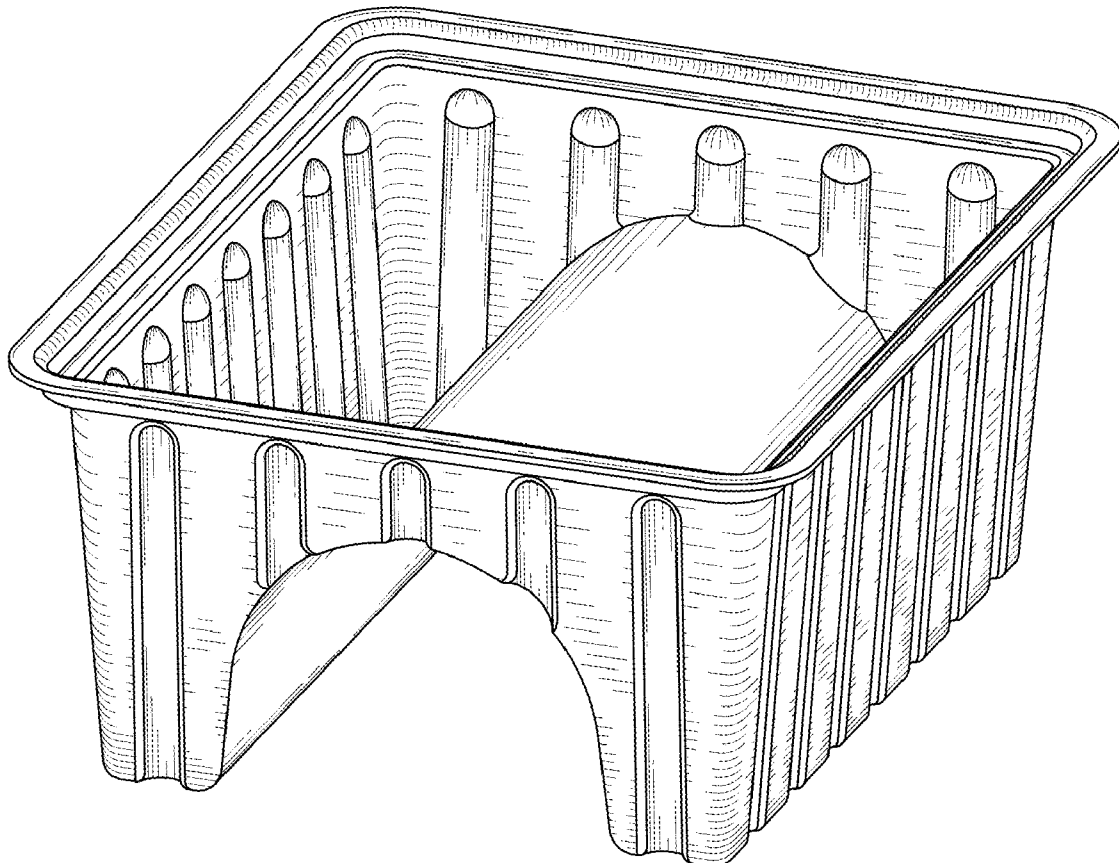
FIG. 1 is a perspective view of a pipeline weight showing my
new design;
FIG. 2 is an elevational front view thereof, the front and back
of the pipeline weight are mirror images;
FIG. 3 is an elevational side view thereof, the right side and
left side of the pipeline weight are mirror images;
FIG. 4 is a top view thereof;
FIG. 5 is a bottom view thereof; and,
FIG. 6 is a perspective view thereof, the broken lines of the
pipeline and additional pipeline weights along the pipeline
are included for the purpose of illustrating environmental
structure that forms no part of the claimed design.

(56) **References Cited**

U.S. PATENT DOCUMENTS

3,993,192	A	11/1976	Bunn	
5,160,218	A *	11/1992	Hill	405/184.4
5,236,340	A *	8/1993	Hall et al.	220/606
6,220,788	B1 *	4/2001	Jewell	405/172
7,278,613	B2 *	10/2007	Roy	248/49
7,344,338	B2 *	3/2008	Willis et al.	405/172

1 Claim, 4 Drawing Sheets



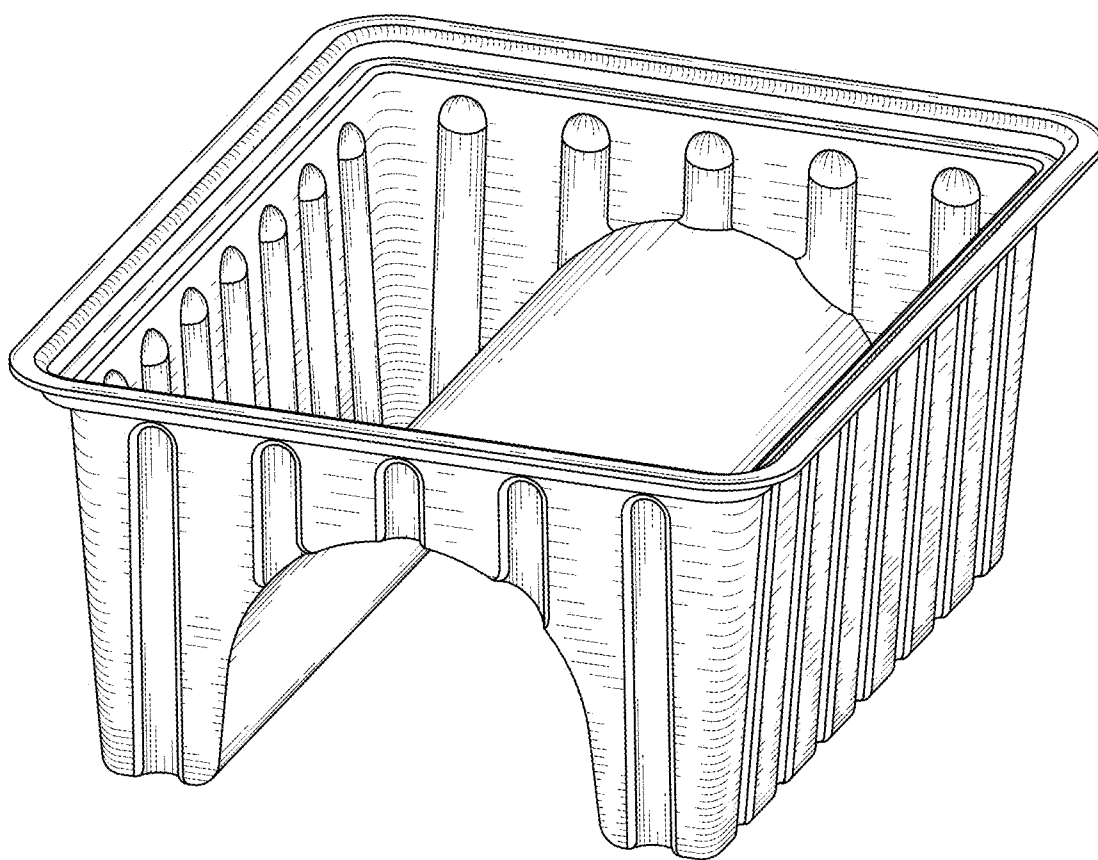


FIG. 1

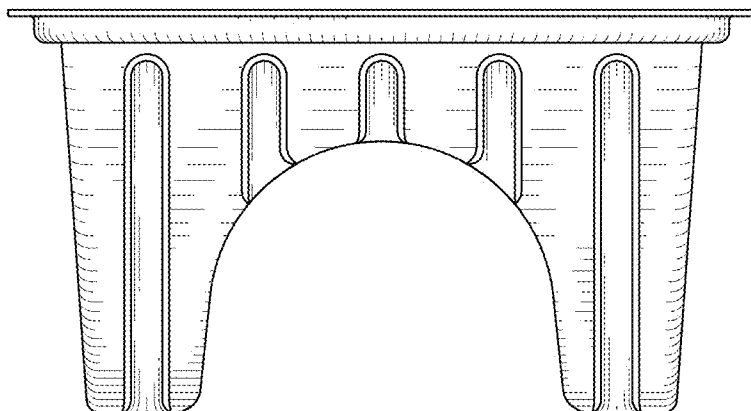


FIG. 2

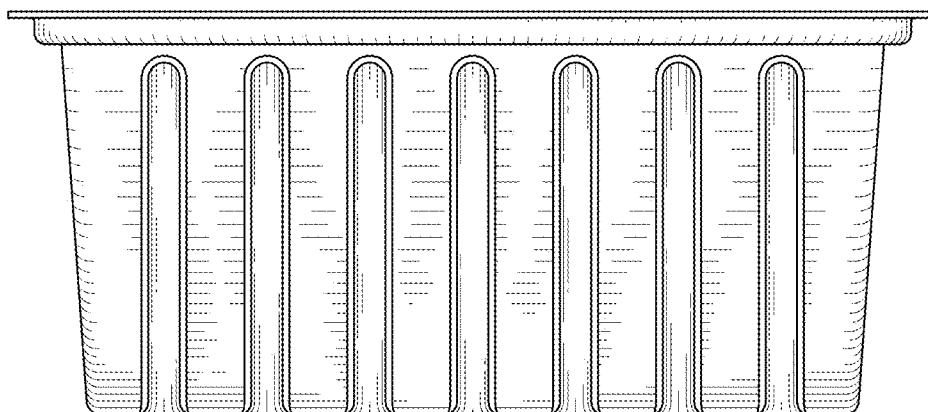


FIG. 3

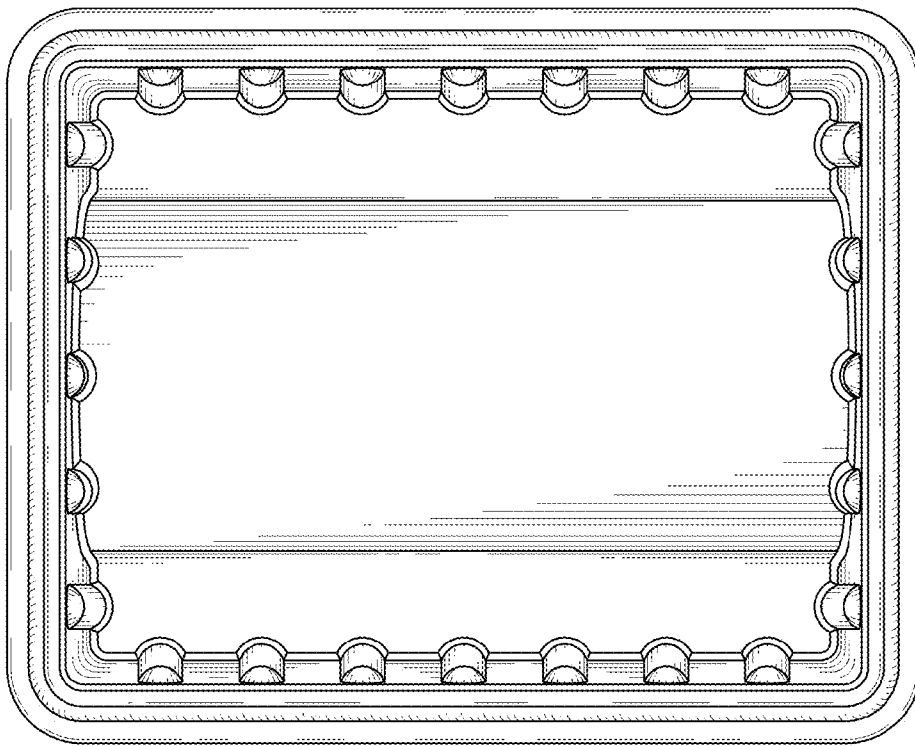


FIG. 4

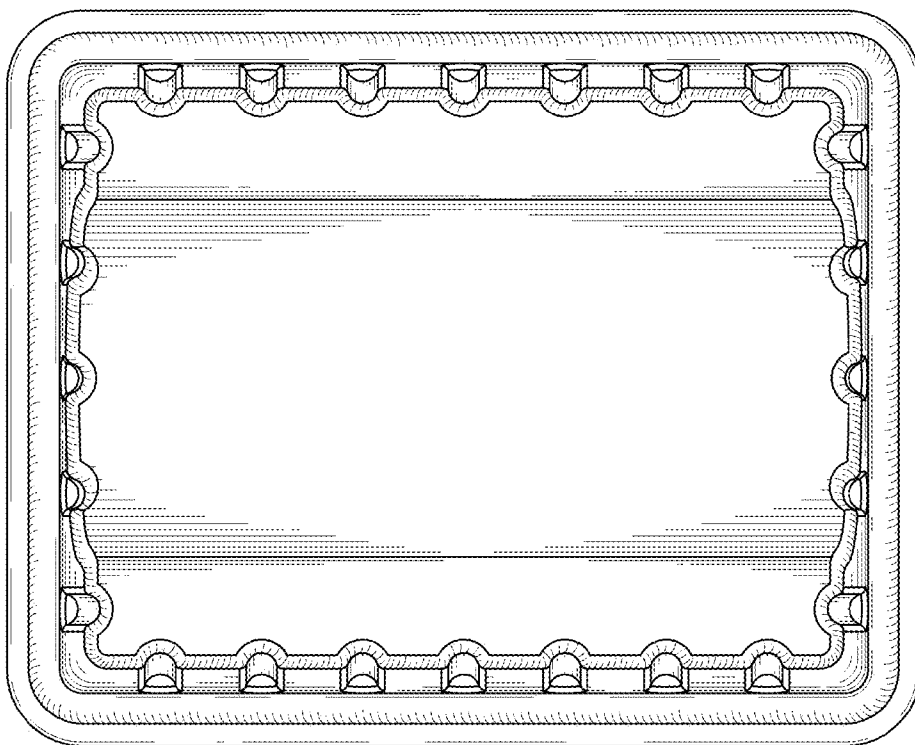


FIG. 5

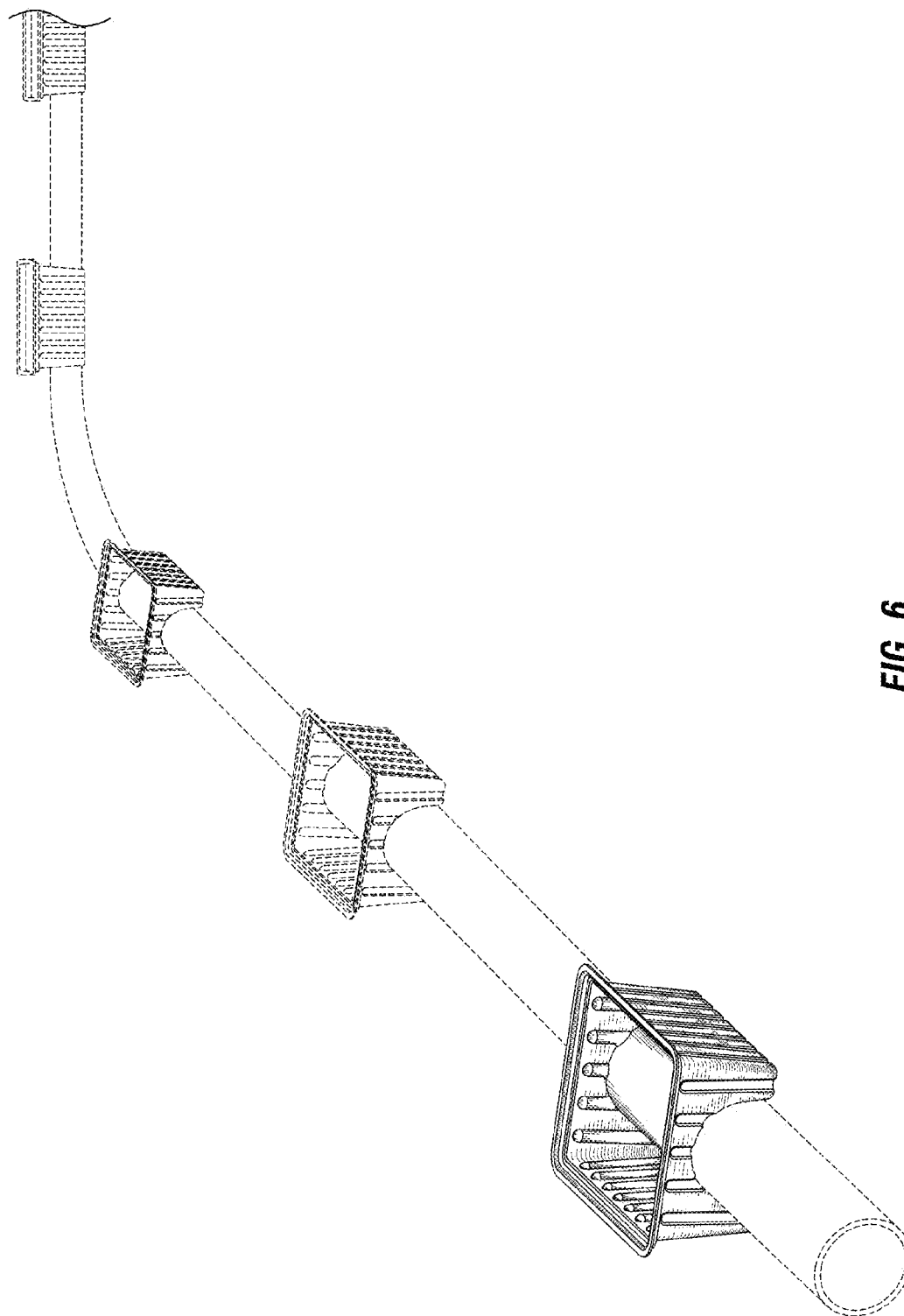


FIG. 6