



US00D706254S

(12) **United States Design Patent**
Chang

(10) **Patent No.:** **US D706,254 S**
(45) **Date of Patent:** **** Jun. 3, 2014**

- (54) **PROTECTIVE CASE KICKSTAND**
- (71) Applicant: **David S Chang**, Houston, TX (US)
- (72) Inventor: **David S Chang**, Houston, TX (US)
- (**) Term: **14 Years**
- (21) Appl. No.: **29/436,013**
- (22) Filed: **Oct. 31, 2012**
- (51) **LOC (10) Cl.** **14-03**
- (52) **U.S. Cl.**
USPC **D14/250; D14/217**
- (58) **Field of Classification Search**
USPC D14/217, 238.1, 248, 250, 251, 269,
D14/440, 496; D3/247, 249, 269, 271, 273,
D3/294, 201, 303, 301; 248/309.1, 371,
248/176.3, 668; 361/679.56, 679.3, 679.29,
361/816
See application file for complete search history.

- (56) **References Cited**
- U.S. PATENT DOCUMENTS
- 7,301,759 B2 * 11/2007 Hsiung 361/679.27
- D559,230 S * 1/2008 Griffin et al. D14/217
- (Continued)
- FOREIGN PATENT DOCUMENTS
- KR 1020120055127 * 5/2012 A47G 1/06
- OTHER PUBLICATIONS
- "MYBAT Natural Grey/Black TUFF Hybrid Phone Protector Cover (with Stand)" [online]. [retrieved on Oct. 30, 2013] Valor Communication, Inc, 2009-2013 [online], Retrieved from the Internet: <<https://www.2valor.com/product/productinfo.aspx?pid=73296>> *
- (Continued)

Primary Examiner — Cathron Brooks
Assistant Examiner — Ethiene Salgado-Rodriguez

(74) *Attorney, Agent, or Firm* — John K. Buche; Scott Compton; Buche & Associates, P.C.

(57) **CLAIM**
The ornamental design for a protective case kickstand, as shown and described.

DESCRIPTION

FIG. 1 is a perspective view of a protective case kickstand showing my new design, the kickstand is disposed along the back side of the protective case and shown in an open position;

FIG. 2 is another perspective view of the kickstand in an open position;

FIG. 3 is another perspective view of the kickstand in a closed position;

FIG. 4 is a left side view of the kickstand in an open position;

FIG. 5 is a right side view of the kickstand in an open position;

FIG. 6 is a top view of the kickstand in an open position;

FIG. 7 is a bottom view of the kickstand in an open position;

FIG. 8 is front view of the kickstand in an open position;

FIG. 9 is a top view of the kickstand in a closed position;

FIG. 10 is a bottom view of the kickstand in a closed position;

FIG. 11 is a front view of the kickstand in a closed position;

FIG. 12 is another perspective view of the kickstand in an open position;

FIG. 13 is another perspective view of the kickstand in an open position;

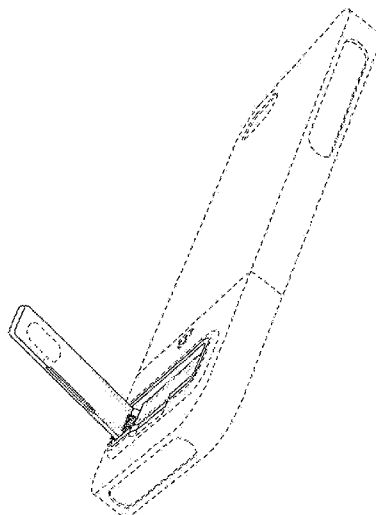
FIG. 14 is another perspective view of the kickstand in a closed position;

FIG. 15 is another perspective view of the kickstand in an open position; and,

FIG. 16 is another perspective view of the kickstand in a closed position.

The broken lines shown in the drawings represent portions of the kickstand, and environmental features, and form no part of the claimed design.

1 Claim, 5 Drawing Sheets



(56)

References Cited

U.S. PATENT DOCUMENTS

D583,572 S * 12/2008 Zhai et al. D6/308
D590,386 S * 4/2009 Leith et al. D14/248
D663,294 S * 7/2012 Buxton D14/250
8,243,428 B2 * 8/2012 Fu 361/679.21
D679,271 S * 4/2013 Liu D14/250
8,514,568 B2 * 8/2013 Qiao et al. 361/679.59
D690,305 S * 9/2013 Wen D14/440
8,522,965 B1 * 9/2013 Hsiung 206/45.24
2011/0164358 A1 * 7/2011 Duan et al. 361/679.01

2012/0106054 A1 * 5/2012 Royz et al. 361/679.3
2013/0077211 A1 * 3/2013 Wang 361/679.01

OTHER PUBLICATIONS

“Seidio Active Case (with metal kickstand) for HTC One X”, Published on YouTube.com on May 16, 2012 [online]. [retrieved on Nov. 14, 2013] Uploaded by MobileNations Gear [online], Retrieved from the Internet: <<http://www.youtube.com/watch?v=W5EGPgGw7Hw>>.*

* cited by examiner

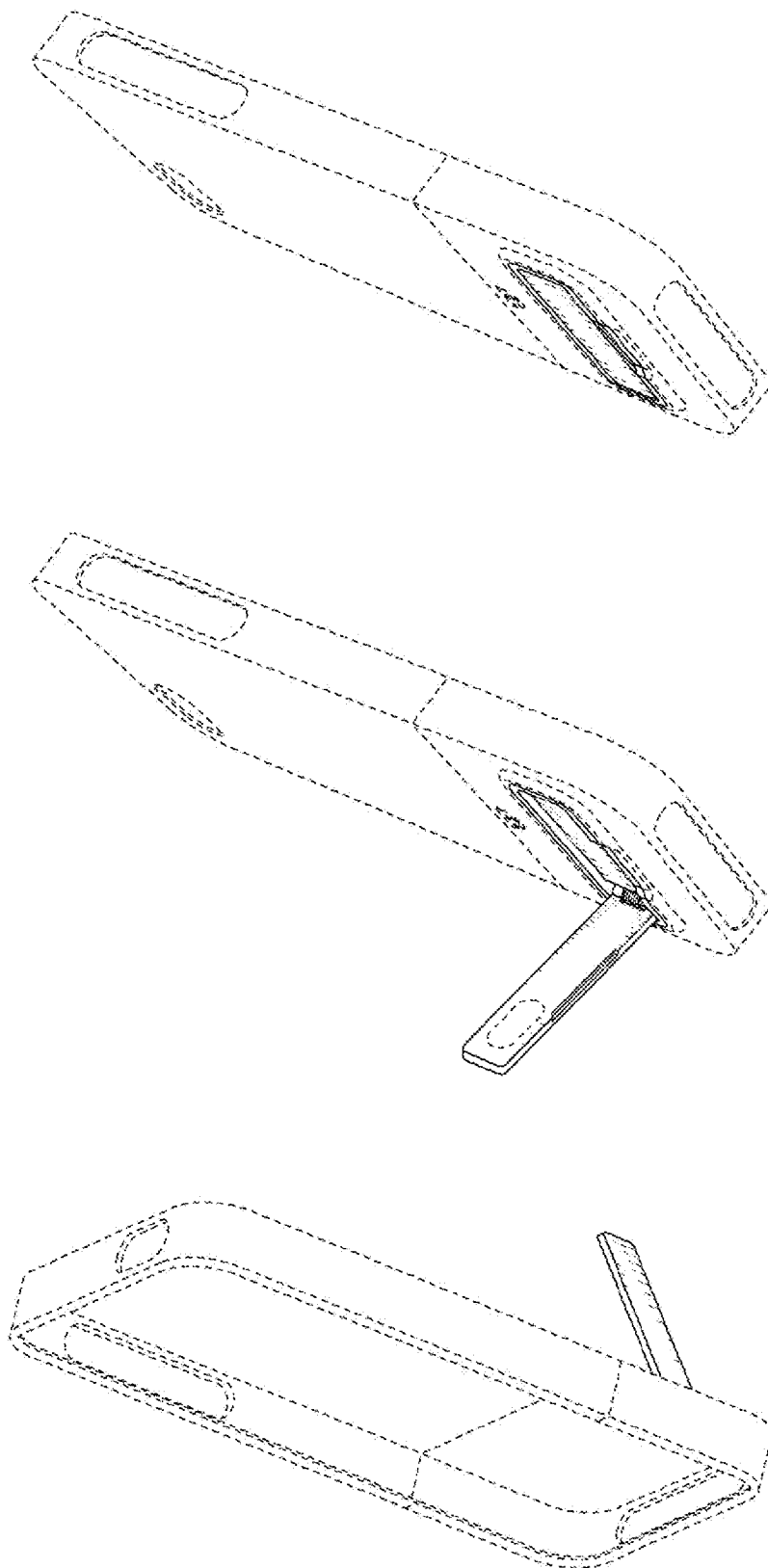


FIG. 3

FIG. 2

FIG. 1

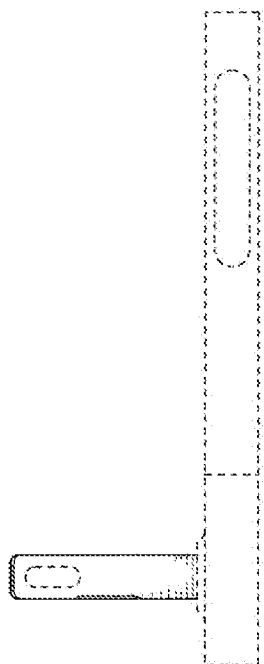


FIG. 4

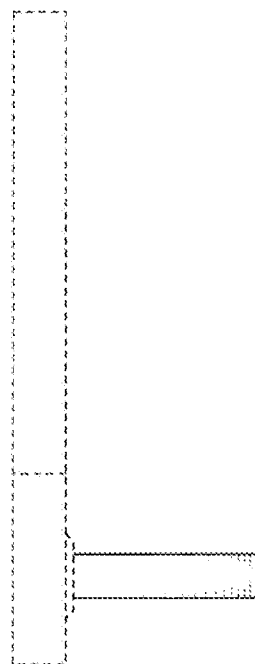


FIG. 5

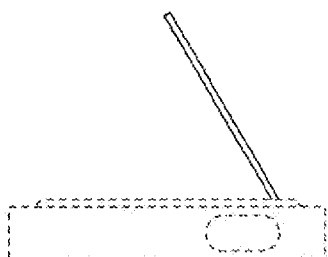


FIG. 6

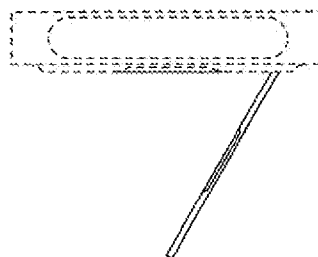


FIG. 7

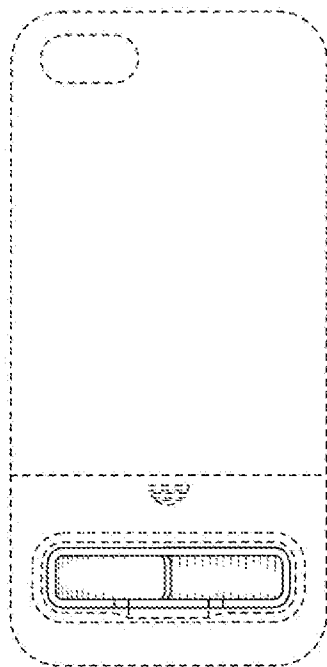


FIG. 8

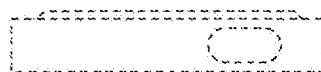


FIG. 9

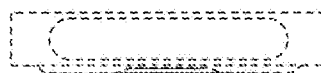


FIG. 10

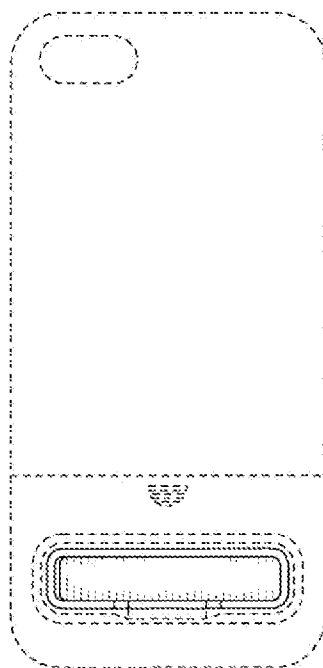


FIG. 11

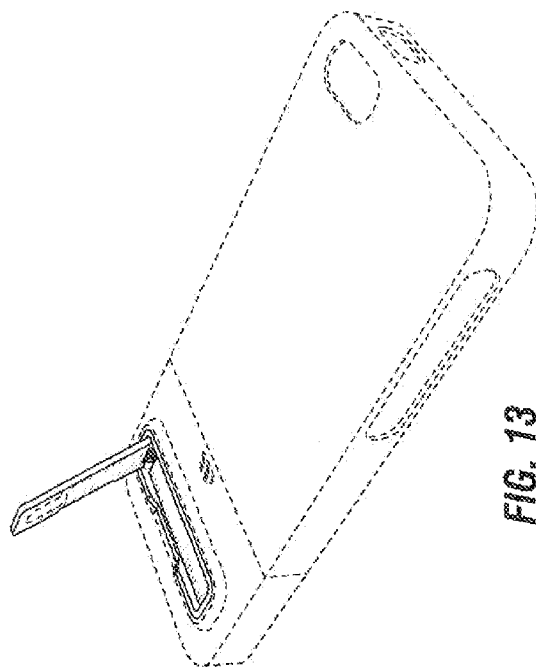


FIG. 13

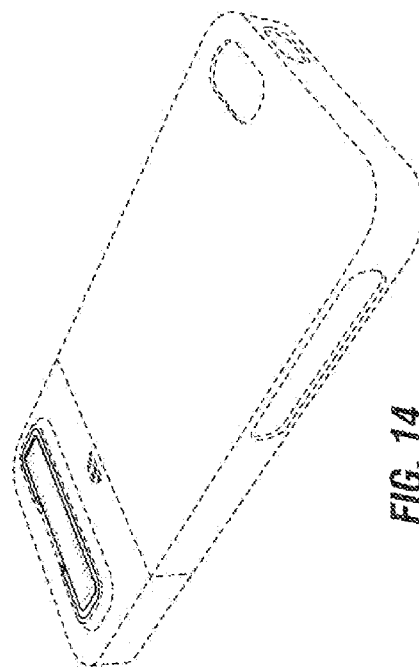


FIG. 14

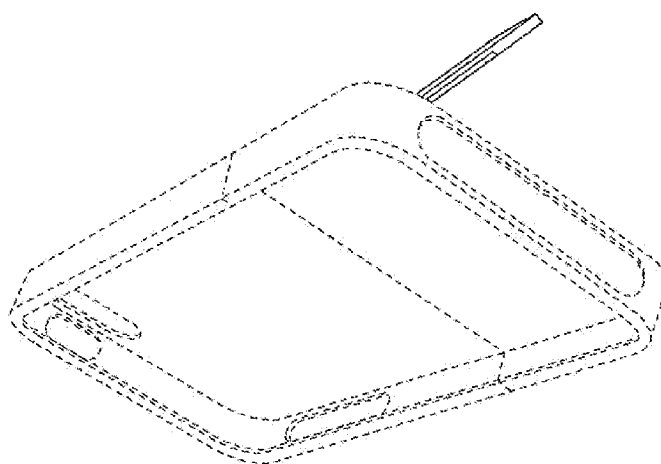


FIG. 12

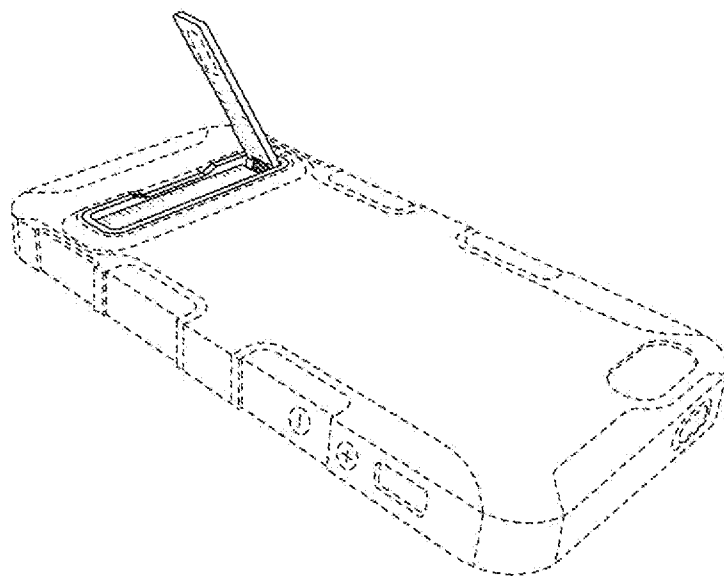


FIG. 15

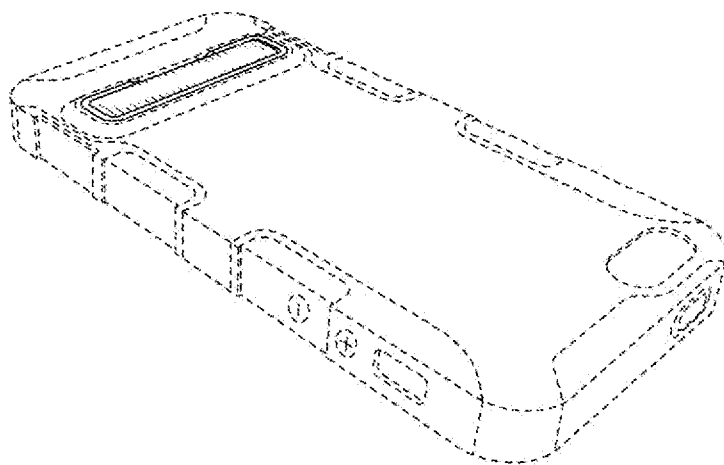


FIG. 16