



US00D702843S

(12) **United States Design Patent**
Mai

(10) **Patent No.:** **US D702,843 S**

(45) **Date of Patent:** **** Apr. 15, 2014**

- (54) **PEDICURE SPA**
- (71) Applicant: **Thuy Mai**, Pearland, TX (US)
- (72) Inventor: **Thuy Mai**, Pearland, TX (US)
- (**) Term: **14 Years**
- (21) Appl. No.: **29/452,157**
- (22) Filed: **Apr. 12, 2013**
- (51) **LOC (10) Cl.** **24-02**
- (52) **U.S. Cl.**
USPC **D24/204**
- (58) **Field of Classification Search**
USPC D24/200–205, 212, 213; D28/56, 61;
D6/336, 495; 601/6, 15, 64, 157–158,
601/30–32; 4/622, 574.1
See application file for complete search history.

- D618,815 S * 6/2010 Dang D24/204
- D622,858 S * 8/2010 Jan D24/204
- D638,548 S 5/2011 Le et al.
- D640,387 S * 6/2011 Tran D24/204
- D641,485 S 7/2011 Mai
- D647,625 S 10/2011 Le et al.
- D664,664 S * 7/2012 Mai D24/204
- D685,103 S * 6/2013 Ton D24/204

OTHER PUBLICATIONS

T4 Concepts & Designs, LLC, Product Catalog, 2007. T4 Concepts & Designs, LLC, Baton Rouge, LA, USA.

* cited by examiner

Primary Examiner — David Muller

(74) *Attorney, Agent, or Firm* — John K. Buche; Scott Compton; Buche & Associates, P.C.

(57) **CLAIM**

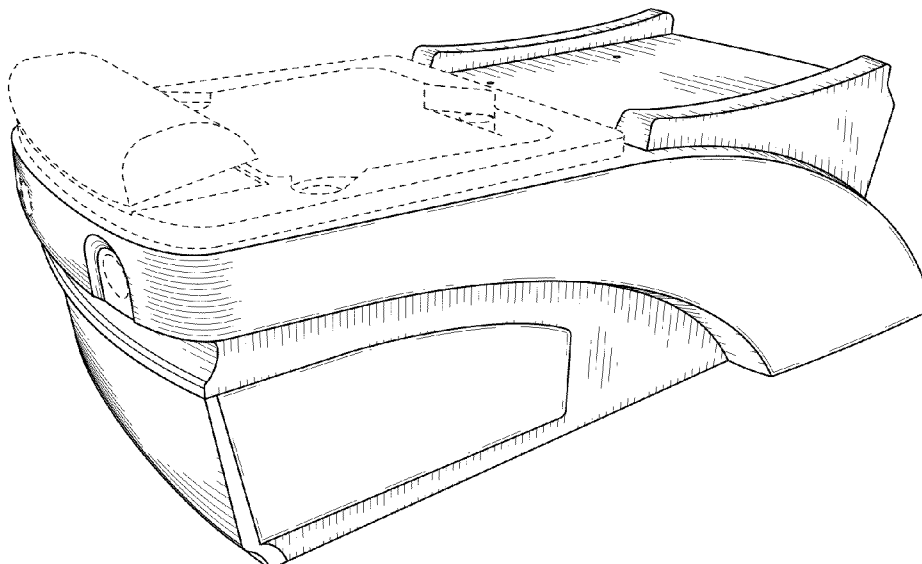
The ornamental design for a pedicure spa, as shown and described.

DESCRIPTION

FIG. 1 is a front perspective view of a pedicure spa showing my new design.
 FIG. 2 is a front elevation view thereof;
 FIG. 3 is a back elevation view thereof;
 FIG. 4 is a right side elevation view thereof;
 FIG. 5 is a left side elevation view thereof;
 FIG. 6 is a top plan view thereof;
 FIG. 7 is a bottom plan view thereof; and,
 FIG. 8 is a front perspective view thereof, with environmental structure shown in broken lines.
 The broken line showing of parts of the drawings is included for the purpose of illustrating use and environment and forms no part of the claimed design.

1 Claim, 5 Drawing Sheets

- (56) **References Cited**
- U.S. PATENT DOCUMENTS
- D450,390 S * 11/2001 Tran D24/213
- D457,018 S 5/2002 Park
- D561,903 S 2/2008 Ton
- D564,099 S * 3/2008 Ton D24/204
- D568,485 S * 5/2008 Ton D24/204
- D569,986 S * 5/2008 Ton D24/204
- D571,018 S 6/2008 Ton et al.
- D571,961 S 6/2008 Nguyen
- D574,502 S 8/2008 Ton
- D588,707 S 3/2009 Mai et al.
- D598,120 S 8/2009 Mai et al.
- D608,454 S 1/2010 Mai et al.
- D608,898 S * 1/2010 Ton D24/204
- D612,509 S * 3/2010 Tran D24/204
- D614,306 S 4/2010 Mai
- D616,560 S * 5/2010 Cong D24/204
- D616,561 S * 5/2010 Ton D24/204



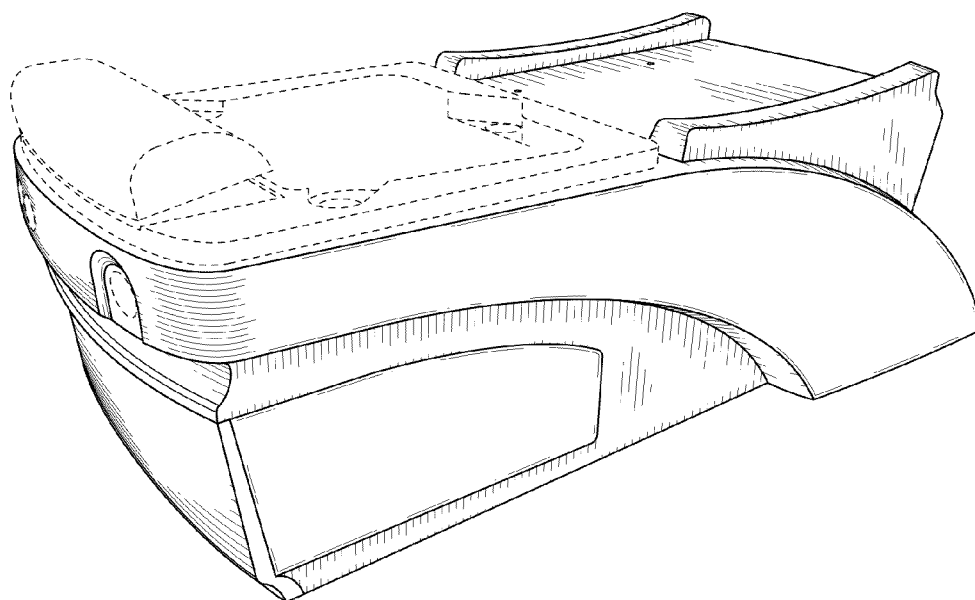


FIG. 1

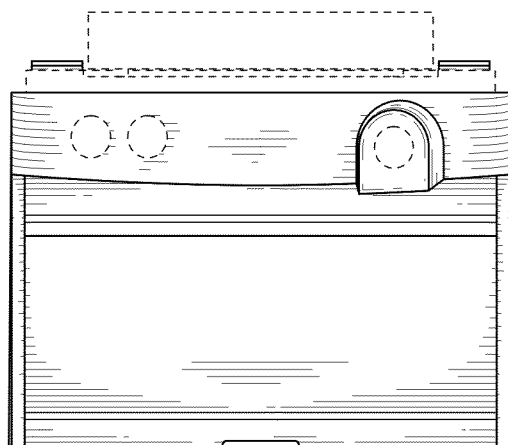


FIG. 2

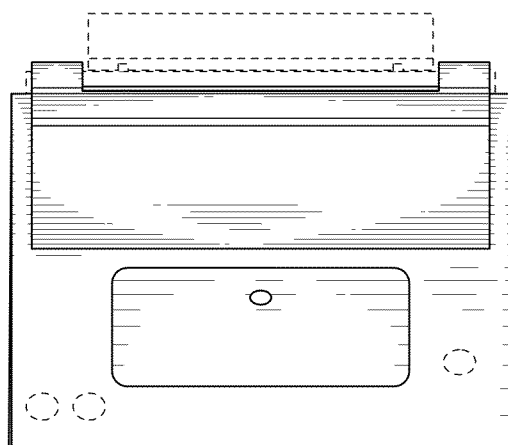


FIG. 3

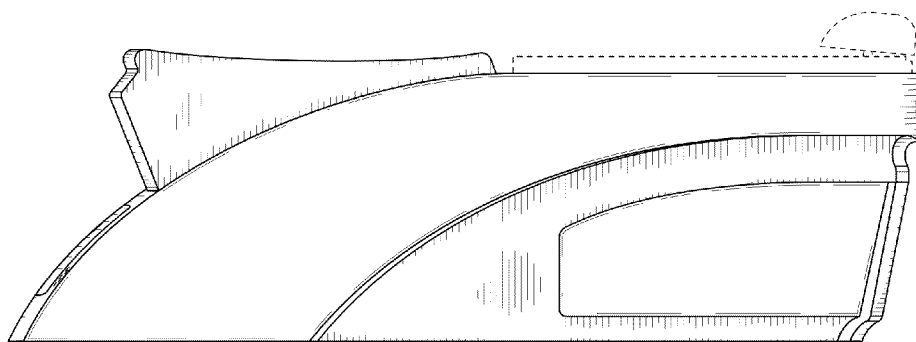


FIG. 4

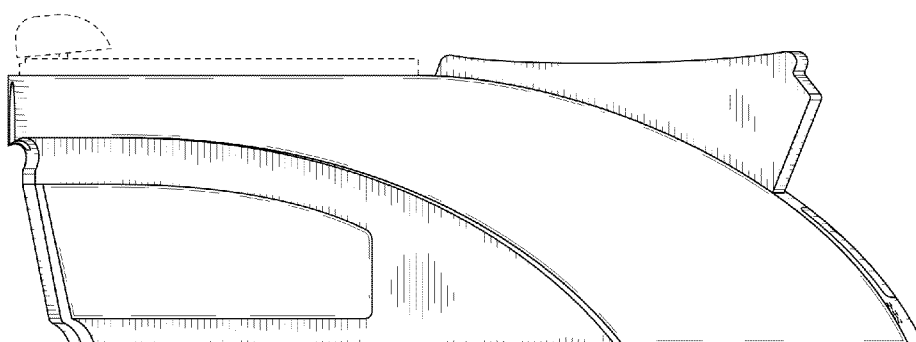


FIG. 5

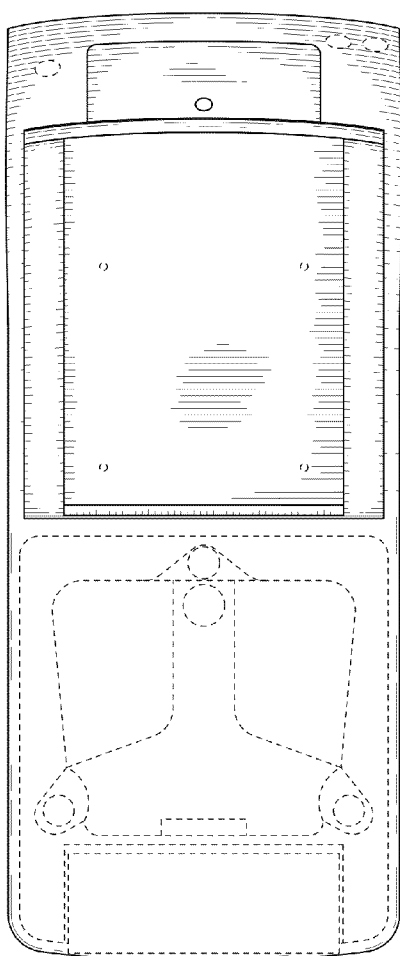


FIG. 6

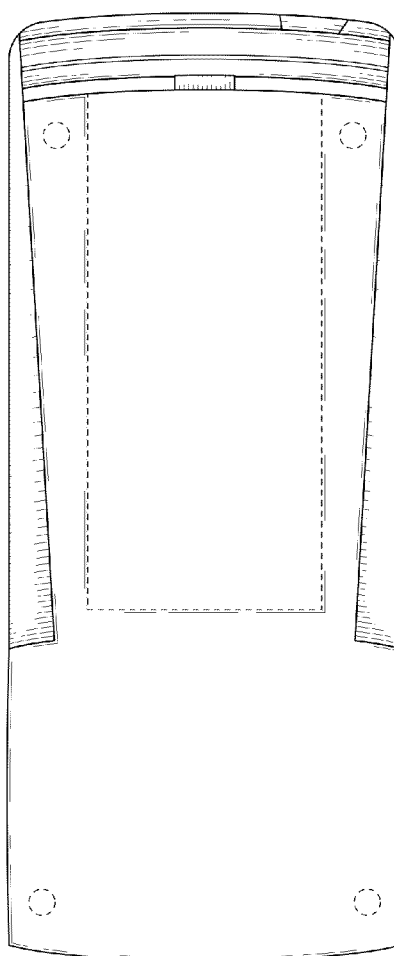


FIG. 7

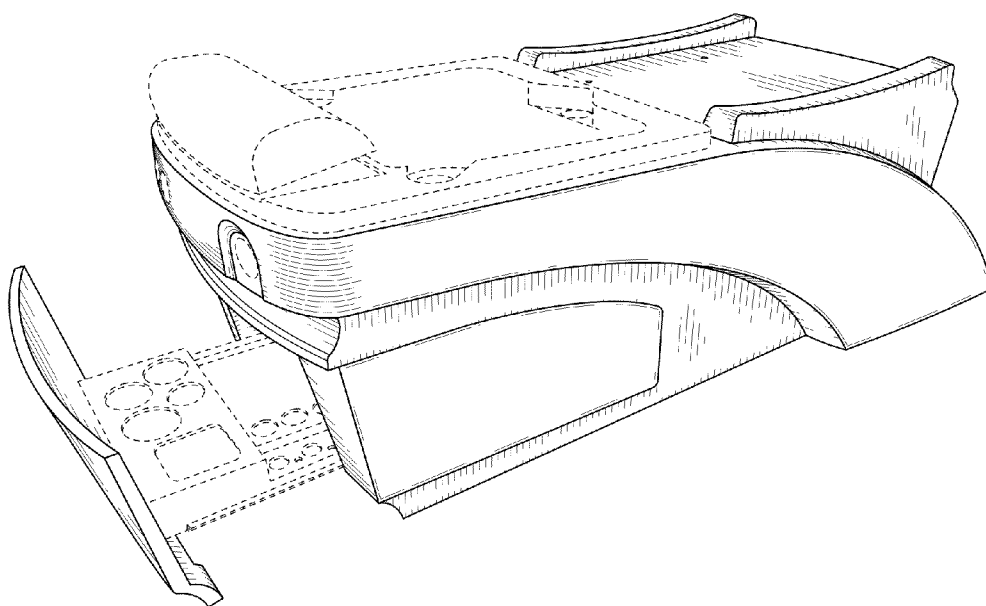


FIG. 8