



US00D694995S

(12) **United States Design Patent**  
**Nguyen**

(10) **Patent No.:** **US D694,995 S**  
(45) **Date of Patent:** **\*\* Dec. 10, 2013**

- (54) **STRAP FOR SANDAL**
- (76) Inventor: **Peter Nguyen**, Manvel, TX (US)
- (\*\*) Term: **14 Years**
- (21) Appl. No.: **29/403,425**
- (22) Filed: **Oct. 5, 2011**
- (51) **LOC (9) Cl.** ..... **02-04**
- (52) **U.S. Cl.**  
USPC ..... **D2/916; D2/978**
- (58) **Field of Classification Search**  
USPC ..... D2/896, 916-918, 946, 968, 969, 976;  
36/11.5, 101, 83, 7.5, 45, 137, 58.5  
See application file for complete search history.

4,461,288 A	7/1984	Curtis	
4,530,171 A	7/1985	Zabala	
4,649,939 A *	3/1987	Curtis .....	602/27
4,920,664 A	5/1990	McGregor et al.	
D328,517 S *	8/1992	Hallenbeck .....	D2/978
D336,717 S *	6/1993	Allen et al. ....	D2/973
5,228,216 A	7/1993	Sargeant	
D338,320 S	8/1993	Haggar	
D353,483 S *	12/1994	Bailey .....	D2/969
5,408,761 A *	4/1995	Gazzano .....	36/88
5,438,767 A *	8/1995	Stein .....	36/11.5

(Continued)

*Primary Examiner* — Robert M Spear  
*Assistant Examiner* — Rashida C McCoy  
 (74) *Attorney, Agent, or Firm* — Buche & Associates, P.C.;  
 John K. Buche

(56) **References Cited**  
 U.S. PATENT DOCUMENTS

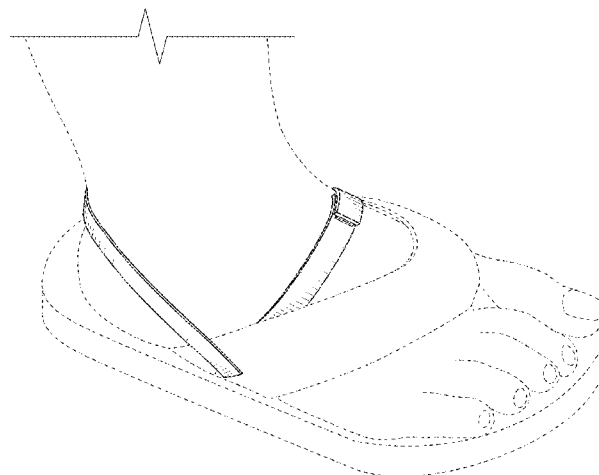
366,266 A	7/1887	Smithers	
430,982 A	6/1890	Ziegler	
459,616 A	9/1891	Von Rohonczy	
736,194 A	8/1903	Bassett	
950,862 A	3/1910	Nelson	
1,110,362 A	9/1914	Whitaker	
1,908,433 A	7/1931	Manville	
2,112,761 A	3/1936	Buehner	
2,233,544 A	3/1941	McKinley	
2,390,685 A	12/1945	Benson	
D147,308 S	8/1947	Steel	
2,491,297 A	12/1949	Brown	
2,724,913 A	11/1955	Russel	
2,741,039 A	4/1956	Mathews	
3,001,302 A	9/1961	Farley	
3,047,967 A	8/1962	Hoyt et al.	
3,121,962 A	2/1964	Gullo	
3,290,802 A	12/1966	Fukuoka	
3,336,683 A	8/1967	Schellkopf	
3,978,596 A	9/1976	Brown et al.	
4,017,987 A	4/1977	Perez, Jr. et al.	
4,026,047 A *	5/1977	Ahmer .....	36/136
4,051,610 A	10/1977	Shigeji	
D260,047 S	8/1981	Heinz	

(57) **CLAIM**  
 The ornamental design for a strap for sandal, as shown and described.

**DESCRIPTION**

FIG. 1 is an environmental perspective view of a strap for sandal.  
 FIG. 2 is an environmental right side view of the strap for sandal of FIG. 1.  
 FIG. 3 is an environmental left side view of the strap for sandal of FIG. 1.  
 FIG. 4 is an environmental front view of the strap for sandal of FIG. 1.  
 FIG. 5 is an environmental back view of the strap for sandal of FIG. 1.  
 FIG. 6 is an environmental top view of the strap for sandal of FIG. 1; and,  
 FIG. 7 is an environmental bottom view of the strap for sandal of FIG. 1.  
 Broken lines in the figures are environmental and form no part of the claimed design.

**1 Claim, 3 Drawing Sheets**



# US D694,995 S

Page 2

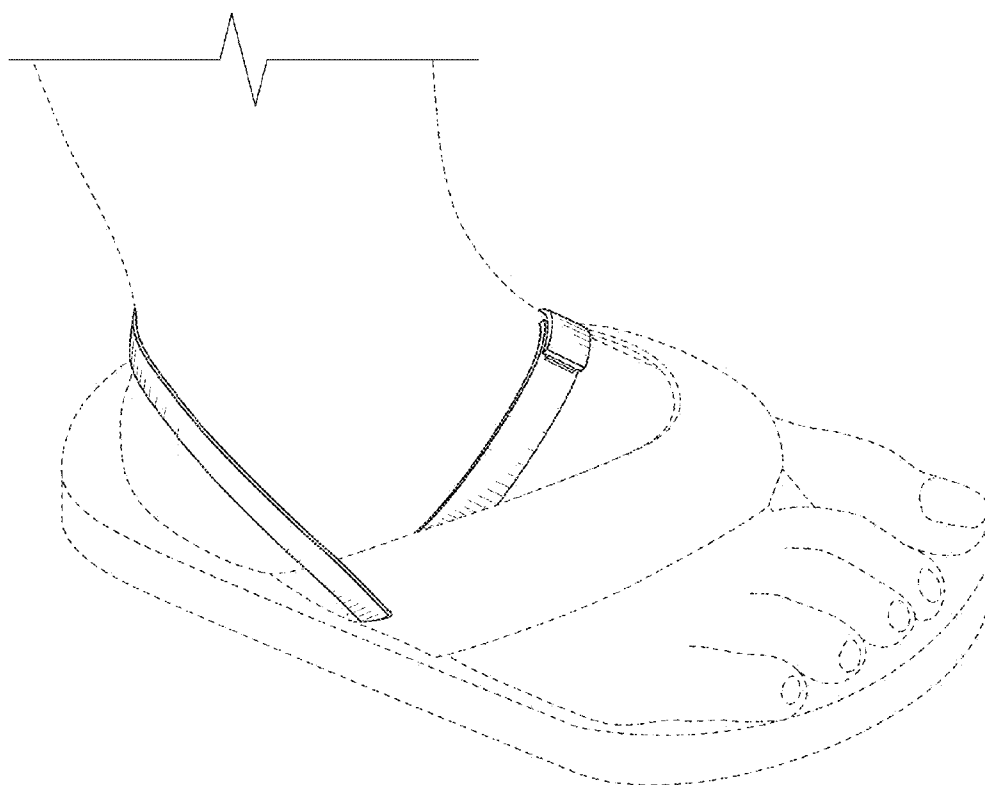
(56)

## References Cited

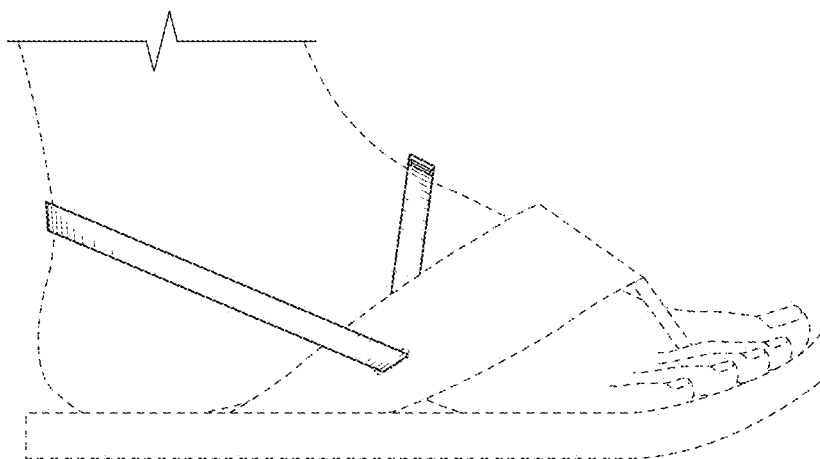
### U.S. PATENT DOCUMENTS

D374,335	S	*	10/1996	Grimes	.....	D2/909
D376,472	S	*	12/1996	Hatfield	.....	D2/976
5,615,496	A		4/1997	Sharpstein		
5,651,195	A		7/1997	Clancy		
6,237,249	B1		5/2001	Aguerre		
D448,146	S		9/2001	Jacobs		
D453,987	S	*	3/2002	Ray	.....	D2/946
D495,855	S		9/2004	Comeau		
D503,271	S	*	3/2005	Choi	.....	D2/978
D508,306	S	*	8/2005	Amado et al.	.....	D2/946
D516,280	S	*	3/2006	Jarmon Mouchi et al.	....	D2/946
D523,214	S	*	6/2006	Jarmon Mouchi et al.	....	D2/946
D525,417	S	*	7/2006	Kelsey	.....	D2/969
D529,690	S	*	10/2006	Choi	.....	D2/946
D556,992	S		12/2007	Choi		
D594,220	S	*	6/2009	McDaniel	.....	D2/976
D596,834	S	*	7/2009	Tatsuno	.....	D2/946
D619,795	S	*	7/2010	McBride	.....	D2/961
D623,839	S	*	9/2010	Leleu	.....	D2/972
7,823,299	B1		11/2010	Brigham		
7,854,638	B2		12/2010	Twombly		
D634,105	S	*	3/2011	Cheshire et al.	.....	D2/925
D635,757	S	*	4/2011	Ward et al.	.....	D2/969
D654,671	S	*	2/2012	Coleman	.....	D2/946
2008/0168682	A1		7/2008	Le		
2008/0189984	A1		8/2008	Januszewski et al.		
2011/0056091	A1		3/2011	Shmurak et al.		

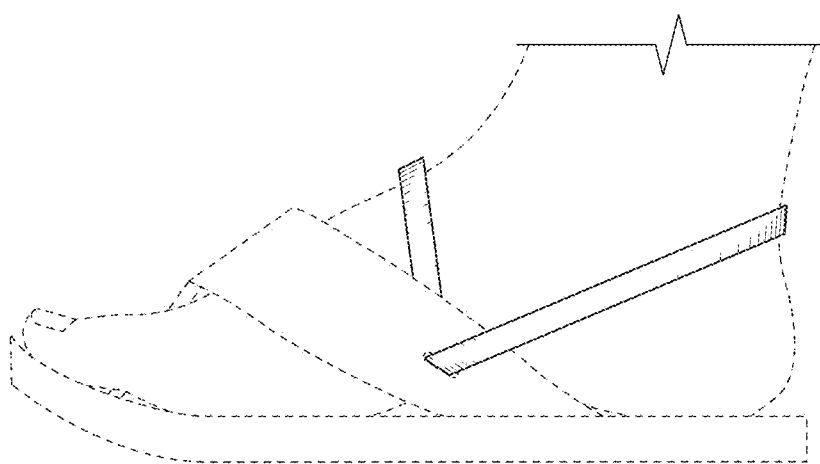
\* cited by examiner



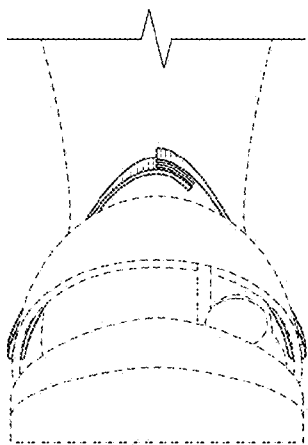
**FIG. 1**



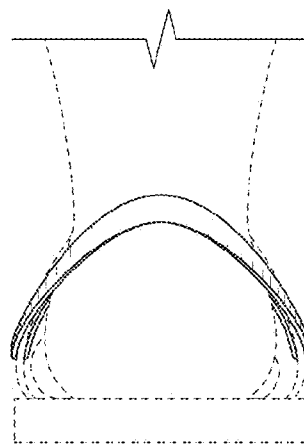
**FIG. 2**



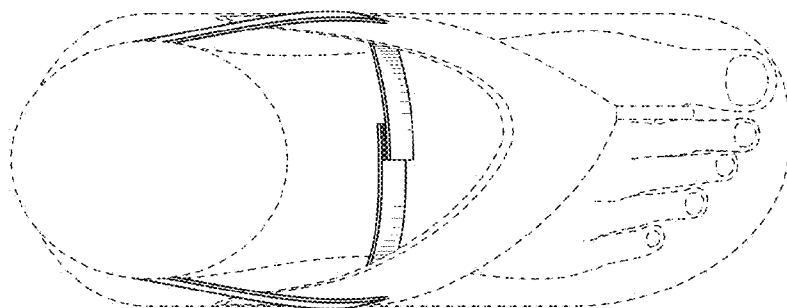
**FIG. 3**



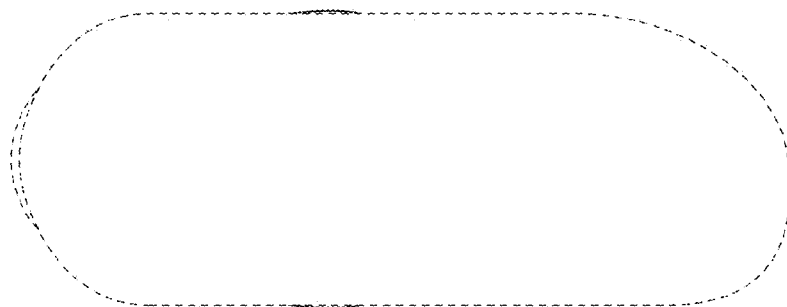
**FIG. 4**



**FIG. 5**



**FIG. 6**



**FIG. 7**