



US00D689281S

(12) **United States Design Patent** (10) **Patent No.:** **US D689,281 S**
Blundell (45) **Date of Patent:** **** Sep. 10, 2013**

(54) **TOURNIQUET HOLSTER**

Primary Examiner — Catheri Oliver-Garcia

(71) Applicant: **Buck Blundell**, Canyon Lake, TX (US)

(74) *Attorney, Agent, or Firm* — John K. Buche; Buche & Associates, P.C.

(72) Inventor: **Buck Blundell**, Canyon Lake, TX (US)

(**) Term: **14 Years**

(57) **CLAIM**

(21) Appl. No.: **29/443,309**

I claim the ornamental design of a tourniquet holster, as shown and described.

(22) Filed: **Jan. 16, 2013**

(51) **LOC (9) Cl.** **03-01**

(52) **U.S. Cl.**

USPC **D3/215; D3/203.5**

(58) **Field of Classification Search**

USPC D3/203.1, 203.5, 203.6, 203.7, 215,
D3/218, 228; 224/219, 222, 267, 269, 624,
224/930, 932; 606/203; D24/168, 188

See application file for complete search history.

DESCRIPTION

FIG. 1 is a perspective view of a tourniquet holster.
FIG. 2 is a front view of the tourniquet holster of FIG. 1.
FIG. 3 is a rear view of the tourniquet holster of FIG. 1.
FIG. 4 is a top view of the tourniquet holster of FIG. 1.
FIG. 5 is a bottom view of the tourniquet holster of FIG. 1.
FIG. 6 is a left-side view of the tourniquet holster of FIG. 1.
FIG. 7 is a right-side view of the tourniquet holster of FIG. 1.
FIG. 8 is an environmental view of the tourniquet holster of FIG. 1 with a tourniquet positioned for insertion. Items drawn in broken lines are environmental and do not form part of the claimed design.

FIG. 9 is a perspective view of a tourniquet holster.
FIG. 10 is a front view of the tourniquet holster of FIG. 9.
FIG. 11 is a rear view of the tourniquet holster of FIG. 9.
FIG. 12 is a top view of the tourniquet holster of FIG. 9.
FIG. 13 is a bottom view of the tourniquet holster of FIG. 9.
FIG. 14 is a left-side view of the tourniquet holster of FIG. 9.
FIG. 15 is a right-side view of the tourniquet holster of FIG. 9; and,
FIG. 16 is an environmental view of the tourniquet holster of FIG. 9 with a tourniquet positioned for insertion.
In FIGS. 9 through 16, items drawn in broken lines do not form part of the claimed design.

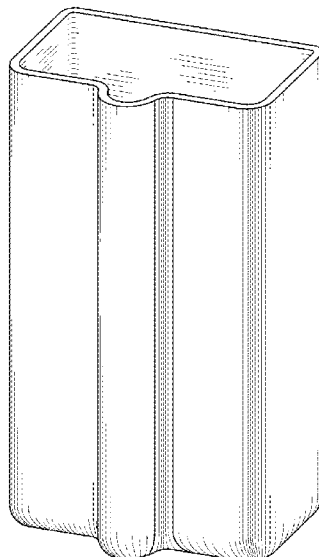
(56) **References Cited**

U.S. PATENT DOCUMENTS

1,299,860	A	4/1919	Plummer	
1,569,131	A	1/1926	Nord	
2,113,534	A	4/1938	Brown	
2,339,239	A	1/1944	Carmichael	
2,702,551	A	2/1955	Hobson	
D272,581	S *	2/1984	Petroff	D3/203.1
4,479,596	A *	10/1984	Swanson	224/236
4,516,576	A	5/1985	Kirchner	
4,796,790	A	1/1989	Hamilton	
4,804,121	A	2/1989	Stanton et al.	
5,779,122	A *	7/1998	Martinelli	224/683
6,960,223	B1	11/2005	Ambach	
7,468,067	B2	12/2008	Licata et al.	
7,842,067	B2	11/2010	Esposito	
7,891,135	B2	2/2011	Laycock	
7,981,135	B2	7/2011	Thorpe	
D651,393	S *	1/2012	Coleman	D3/203.6

(Continued)

1 Claim, 8 Drawing Sheets



US D689,281 S

Page 2

(56)

References Cited

U.S. PATENT DOCUMENTS

D685,094	S	*	6/2013	Green et al.	D24/169	2010/0078452	A1	4/2010	Grise et al.
2009/0062842	A1		3/2009	Esposito et al.		2010/0200627	A1	8/2010	Shen
						2011/0295309	A1	12/2011	Sullivan et al.
						2011/0307004	A1	12/2011	Johnson et al.

* cited by examiner



FIG. 1

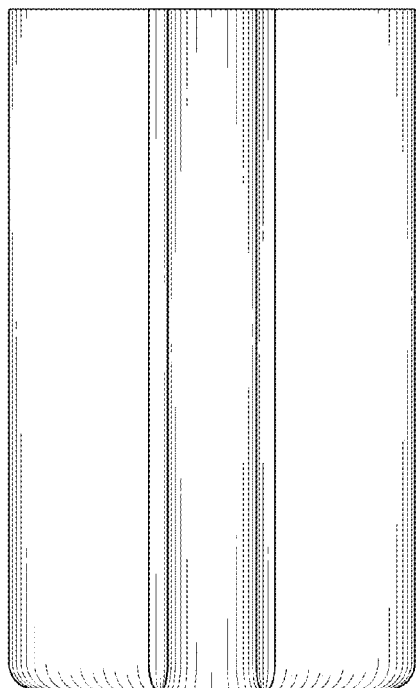


FIG. 2

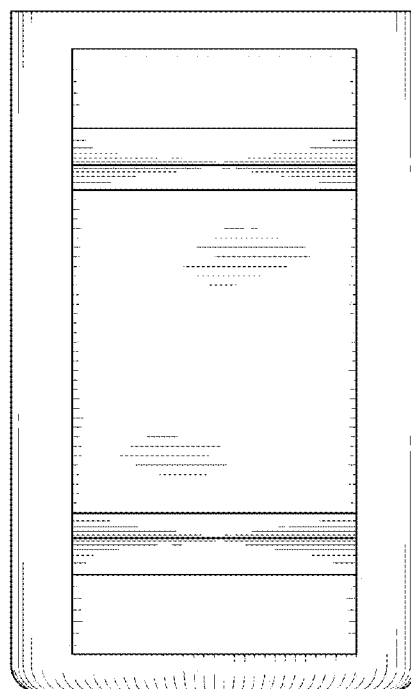


FIG. 3

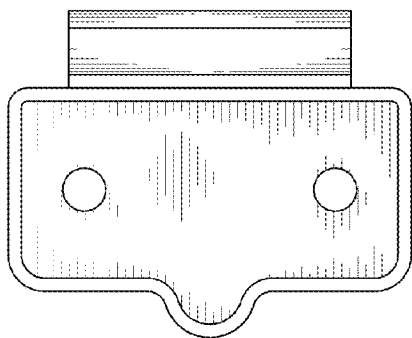


FIG. 4

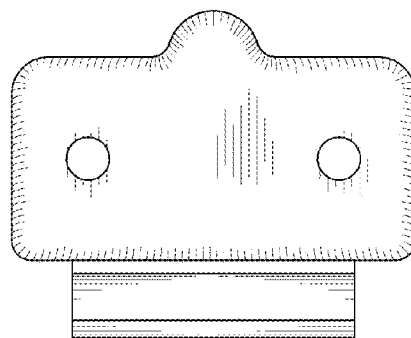


FIG. 5

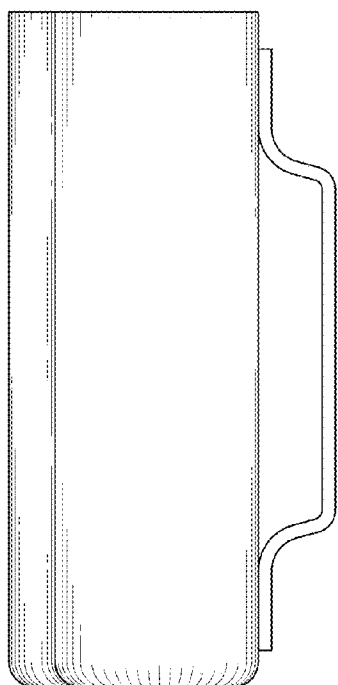


FIG. 6

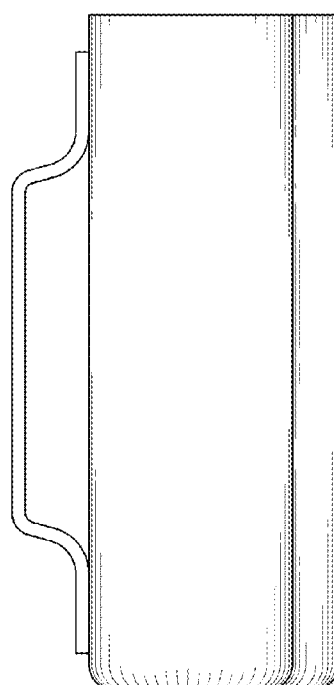


FIG. 7

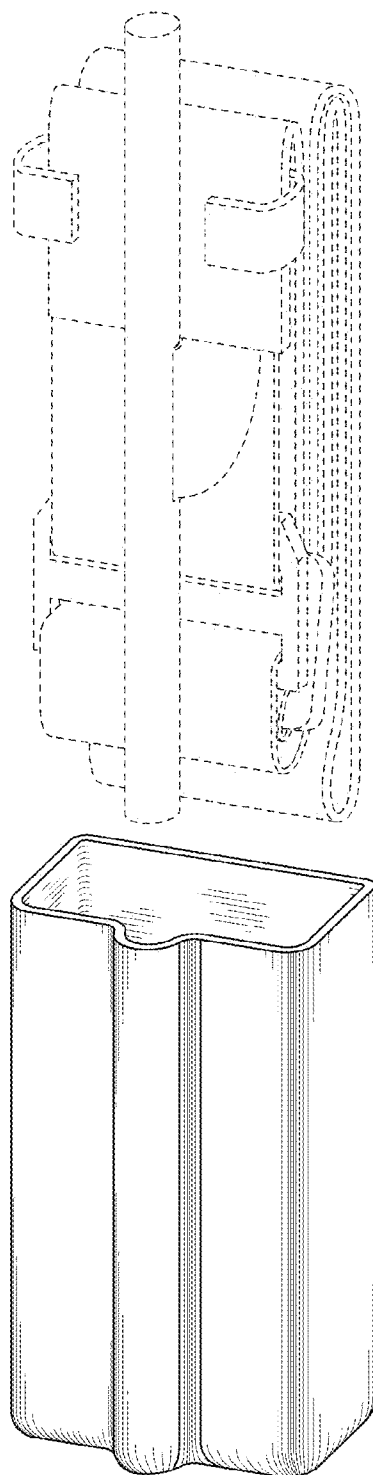


FIG. 8

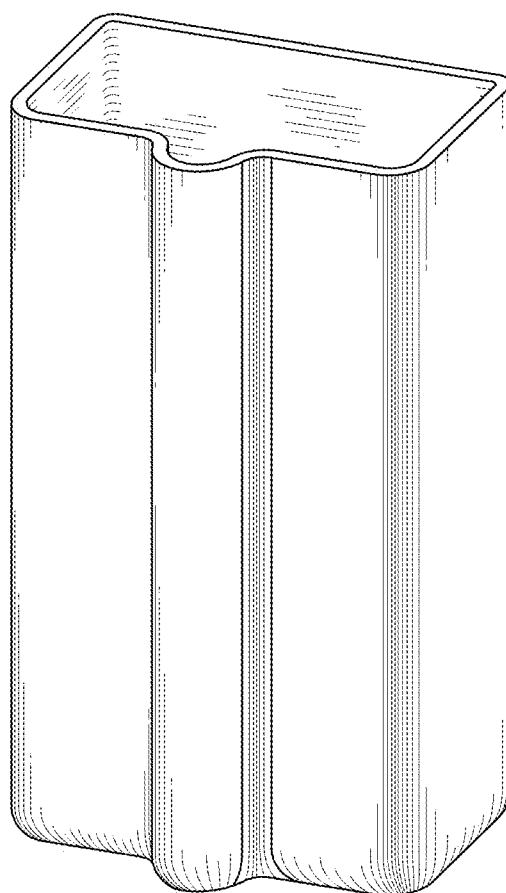


FIG. 9

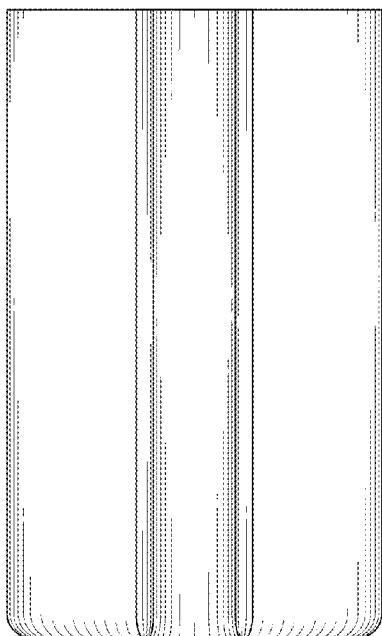


FIG. 10

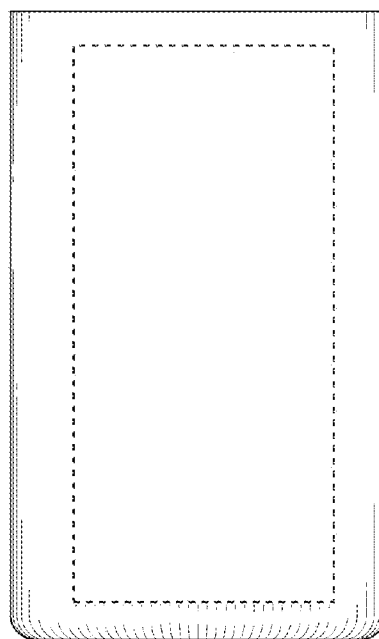


FIG. 11

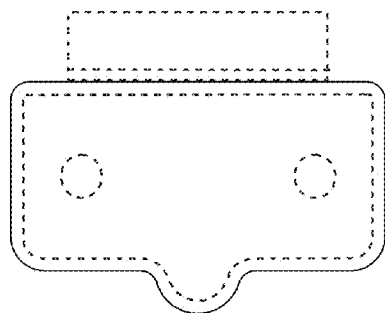


FIG. 12

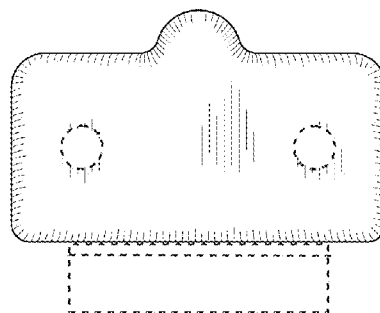


FIG. 13

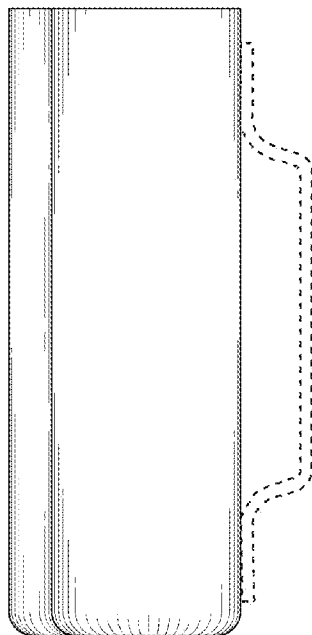


FIG. 14

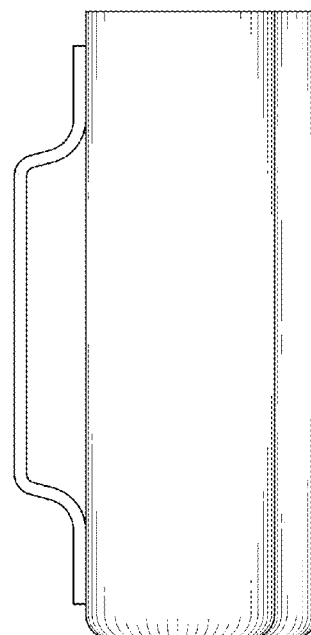


FIG. 15

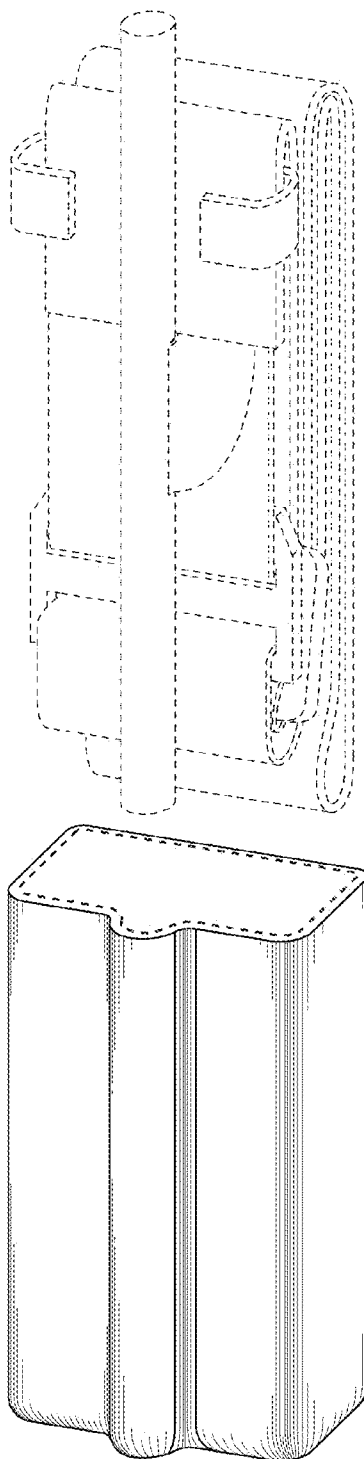


FIG. 16