



US00D681624S

(12) **United States Design Patent**  
**Chang**

(10) **Patent No.:** **US D681,624 S**  
(45) **Date of Patent:** **\*\* May 7, 2013**

(54) **PROTECTIVE COVER**

(76) Inventor: **David S Chang**, Houston, TX (US)

(\*\*) Term: **14 Years**

(21) Appl. No.: **29/431,866**

(22) Filed: **Sep. 11, 2012**

(51) **LOC (9) Cl.** ..... **14-03**

(52) **U.S. Cl.**

USPC ..... **D14/250**

(58) **Field of Classification Search** ..... D14/250–253,  
D14/440, 203.3–203.7, 217, 496, 248, 238.1,  
D14/240, 447; D3/201, 218, 269, 301, 273,  
D3/303, 103, 247; D13/103, 107–108, 119;  
220/4.02; 248/309.1, 371, 176.3, 668; 361/679.56,  
361/679.3, 679.25, 816; 379/426, 433.11,  
379/455; 455/575.1, 575.8; 206/305, 320;  
345/173

See application file for complete search history.

(56) **References Cited**

**U.S. PATENT DOCUMENTS**

D317,157	S	*	5/1991	Jondelius	.....	D14/253
5,016,851	A	*	5/1991	Koskinen et al.	.....	248/278.1
5,697,071	A	*	12/1997	Fan	.....	455/575.9
D521,232	S	*	5/2006	Andre et al.	.....	D3/218
D553,352	S	*	10/2007	Allen	.....	D3/218
D615,299	S	*	5/2010	Agarwal et al.	.....	D3/269
D616,430	S	*	5/2010	Fathollahi	.....	D14/250
D626,129	S	*	10/2010	Lutz	.....	D14/447
D634,315	S	*	3/2011	Nousiainen	.....	D14/253
D640,679	S	*	6/2011	Willes et al.	.....	D14/250
8,016,107	B2	*	9/2011	Emsky	.....	206/320
D646,673	S	*	10/2011	Fathollahi	.....	D14/250
D668,247	S	*	10/2012	Kim et al.	.....	D14/253
D669,459	S	*	10/2012	Kim	.....	D14/253
2003/0151890	A1	*	8/2003	Huang et al.	.....	361/683
2008/0192410	A1	*	8/2008	Kumar	.....	361/679

**OTHER PUBLICATIONS**

Review of Seidio Innocase II Surface Combo, posted on Feb. 9, 2011, <URL:http://blog.techwarehouse.com/will-att-iphone-4-seidio-innocase-cases-fit-verizon-iphone-4/>, retrieved from internet on Jan. 3, 2013.\*

Seidio, Inc., United States Trademark Registration No. 4133432. U.S. Appl. No. 29/390,939, Chang.

\* cited by examiner

*Primary Examiner* — Carla Jobe Wright

(74) *Attorney, Agent, or Firm* — John K. Buche; Scott Compton; Buche & Associates, P.C.

(57) **CLAIM**

The ornamental design for a protective cover, as shown and described.

**DESCRIPTION**

FIG. 1 is a perspective view of a protective cover showing my new design;

FIG. 2 is a front view thereof;

FIG. 3 is a back view thereof;

FIG. 4 is a left side view thereof;

FIG. 5 is a right side view thereof;

FIG. 6 is a top view thereof;

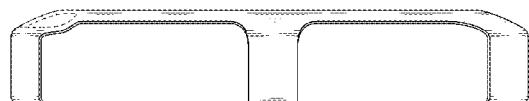
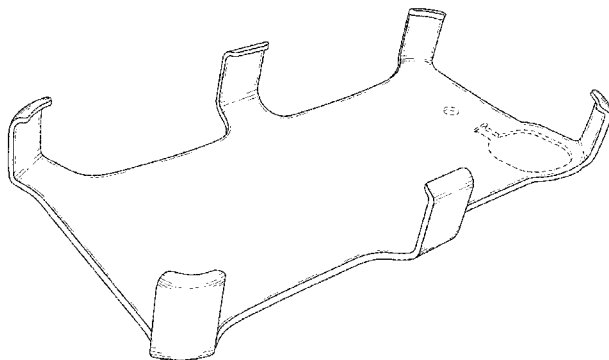
FIG. 7 is a bottom view thereof;

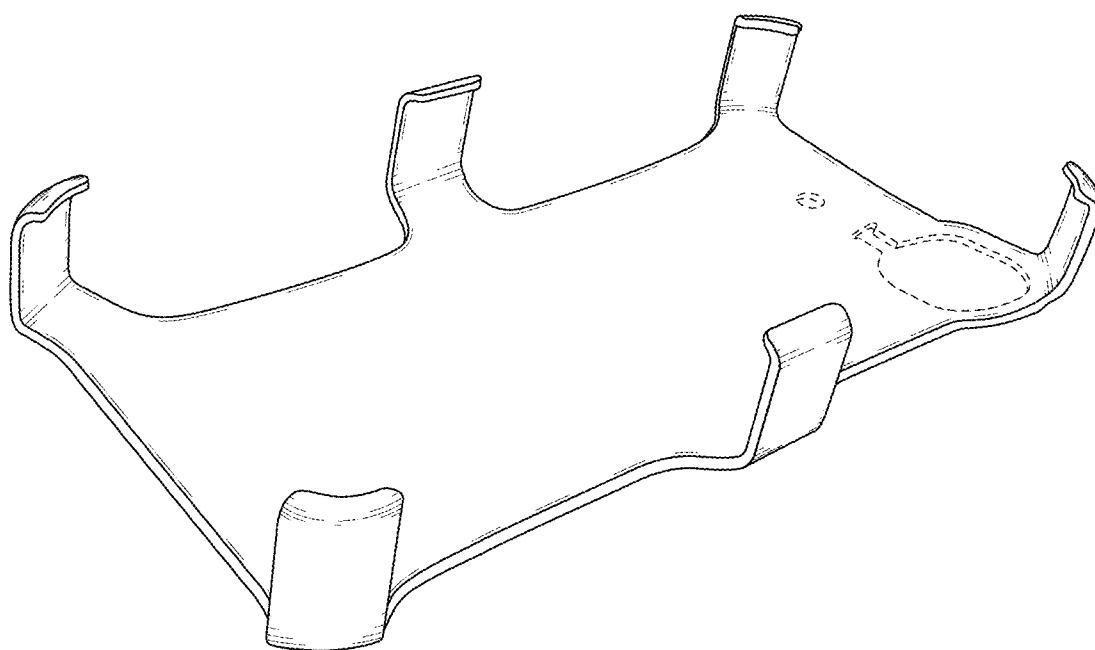
FIG. 8 is a perspective view of the protective cover shown in attachment to the outer surface of another protective cover; and,

FIG. 9 is a perspective view of the protective cover shown in attachment to the outer surface of another protective cover that is housing a smartphone.

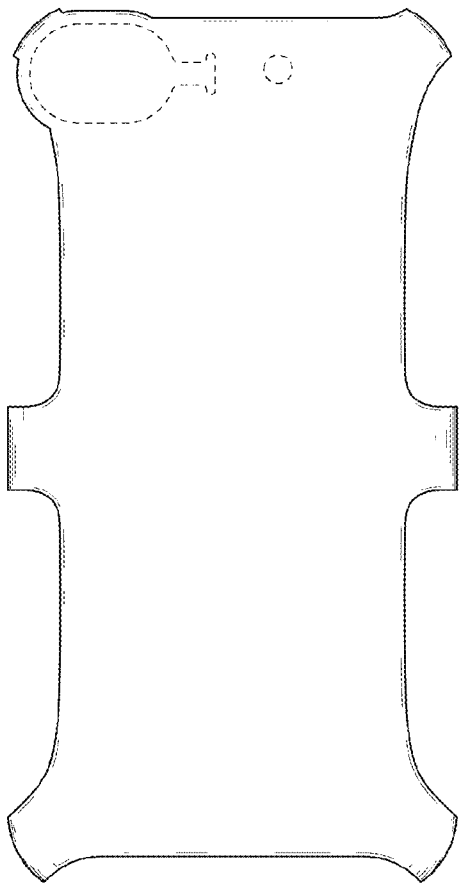
The features of the various figures shown in broken lines depict environmental subject matter only, which forms no part of the claimed design.

**1 Claim, 4 Drawing Sheets**

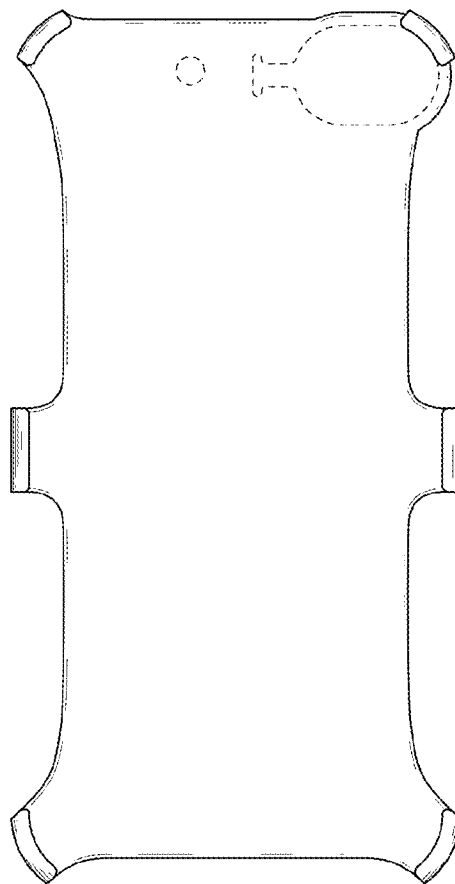




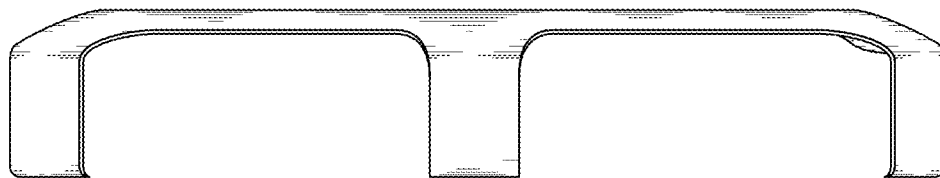
**FIG. 1**



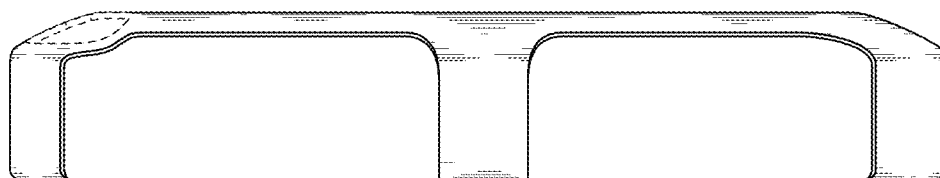
**FIG. 2**



**FIG. 3**



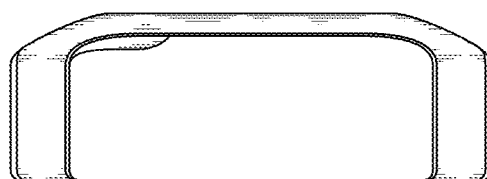
**FIG. 4**



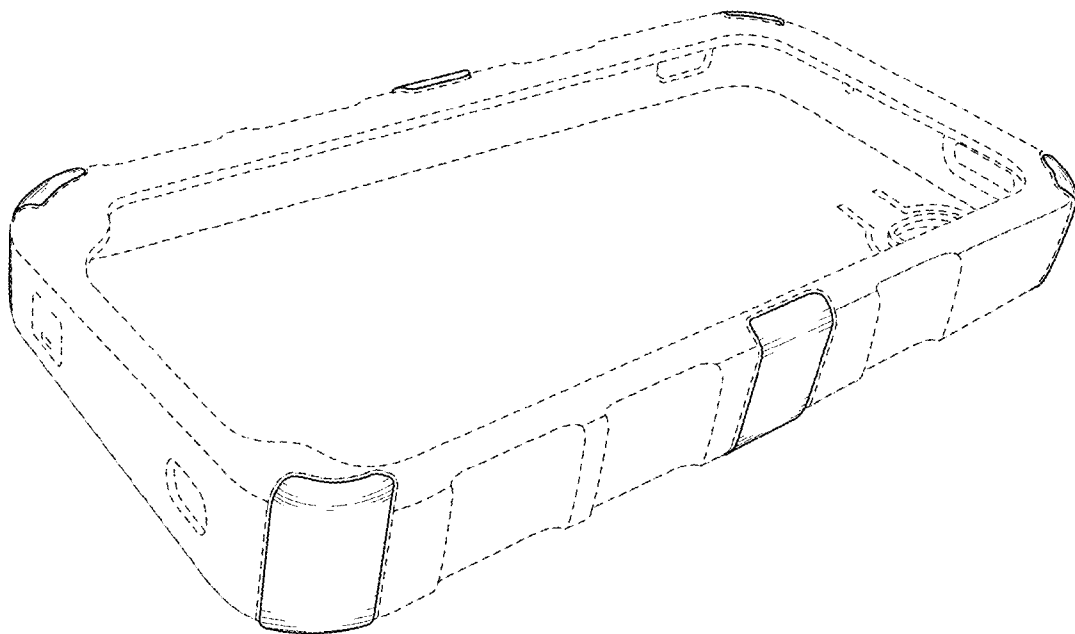
**FIG. 5**



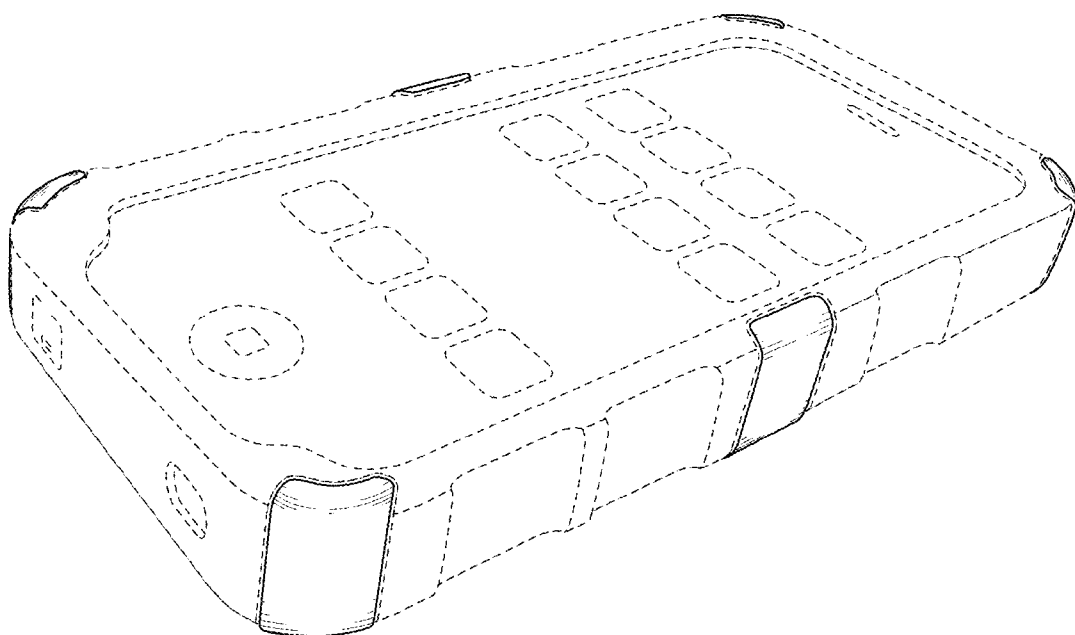
**FIG. 6**



**FIG. 7**



**FIG. 8**



**FIG. 9**