



US00D677091S

(12) **United States Design Patent**
Monro

(10) **Patent No.:** **US D677,091 S**
(45) **Date of Patent:** **** Mar. 5, 2013**

(54) **ROD HOLDER**

(76) Inventor: **David C Monro**, Spring, TX (US)

(**) Term: **14 Years**

(21) Appl. No.: **29/423,308**

(22) Filed: **May 30, 2012**

(51) **LOC (9) Cl.** **08-08**

(52) **U.S. Cl.** **D6/552**

(58) **Field of Classification Search** D6/552,
D6/553, 567, 396; D22/109; 211/13.1, 60.1,
211/64, 70.2, 70.6, 70.8; 248/512, 520, 538;
43/21.2

See application file for complete search history.

(56) **References Cited**

U.S. PATENT DOCUMENTS

5,566,495 A *	10/1996	Kim et al.	248/538
D598,689 S *	8/2009	McDonald	D6/552
D662,745 S *	7/2012	Zalewski	D6/552

* cited by examiner

Primary Examiner — Brian N Vinson

(74) *Attorney, Agent, or Firm* — John K. Buche; Buche & Associates, P.C.

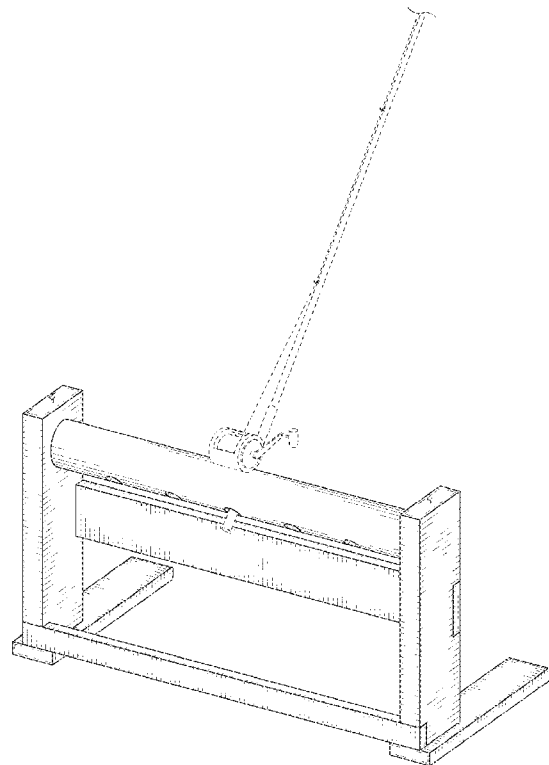
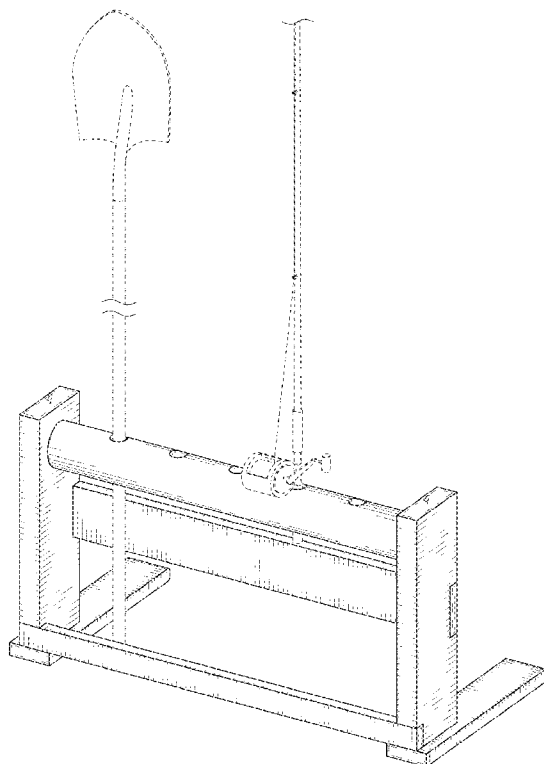
(57) **CLAIM**

The ornamental design for a rod holder, as shown and described.

DESCRIPTION

FIG. 1 is a front perspective view of a rod holder showing my new design;
 FIG. 2 is a front view of the same;
 FIG. 3 is a back view of the same;
 FIG. 4 is a right side view of the same;
 FIG. 5 is a left side view of the same;
 FIG. 6 is a top view of the same;
 FIG. 7 is a bottom view of the same;
 FIG. 8 is a back perspective view of the same; and,
 FIG. 9 is another back perspective view of the same.
 The broken lines of the various views, namely the oval head thumb screws of FIGS. 1-9, the shovel and fishing rod of FIG. 8 and the fishing rod of FIG. 9 are included for the purpose of illustrating environmental structure that forms no part of the claimed design.

1 Claim, 6 Drawing Sheets



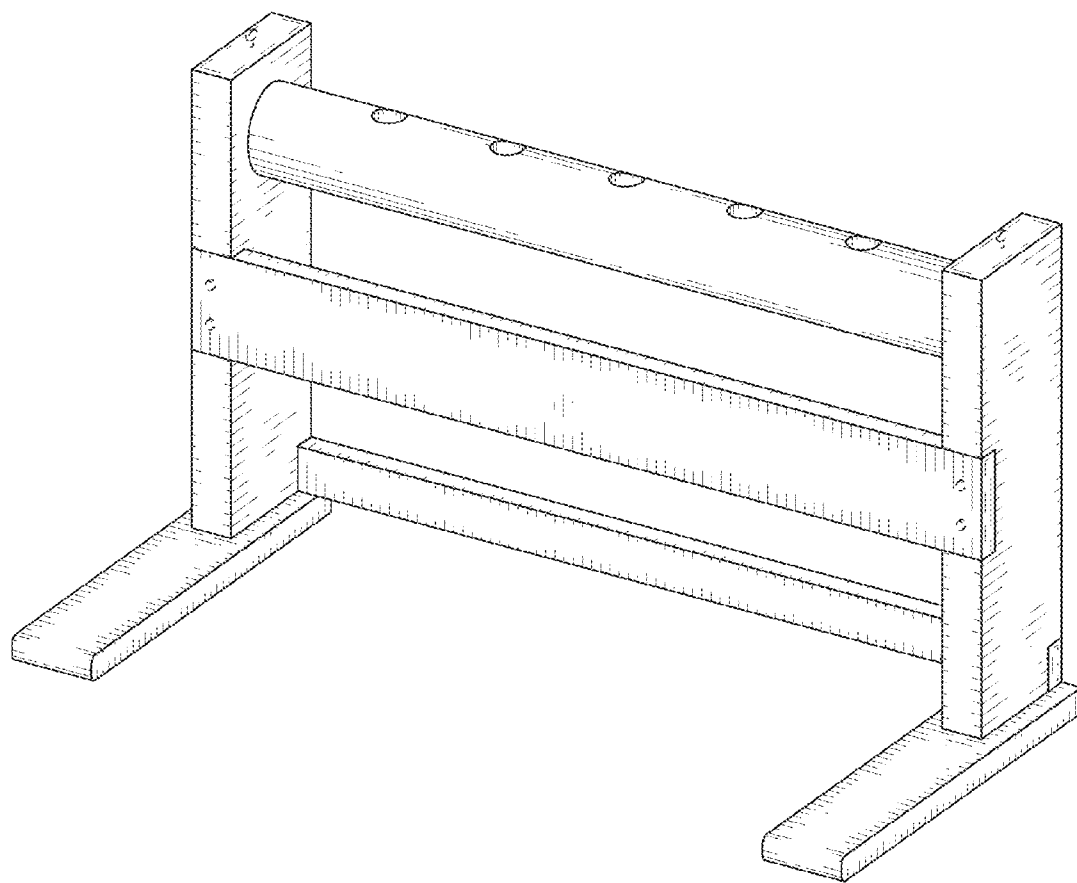


FIG. 1

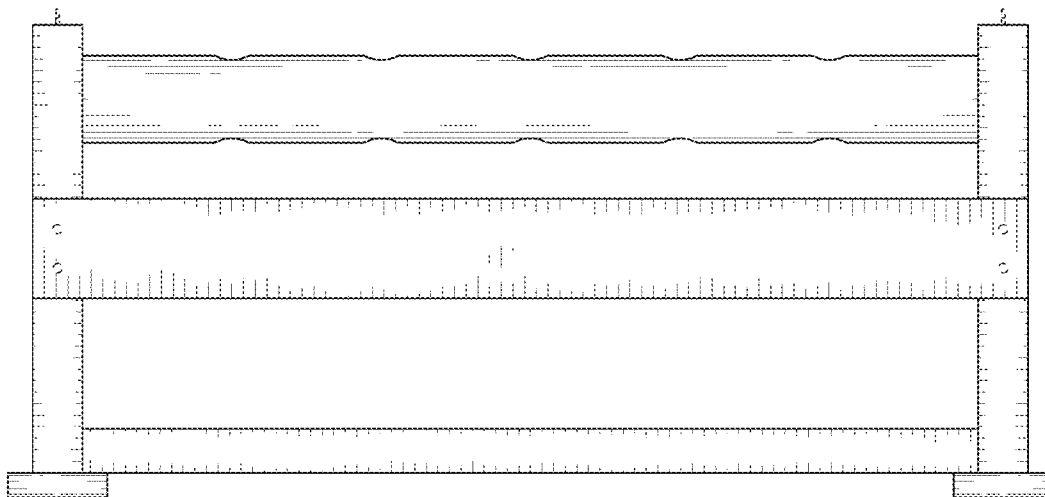


FIG. 2

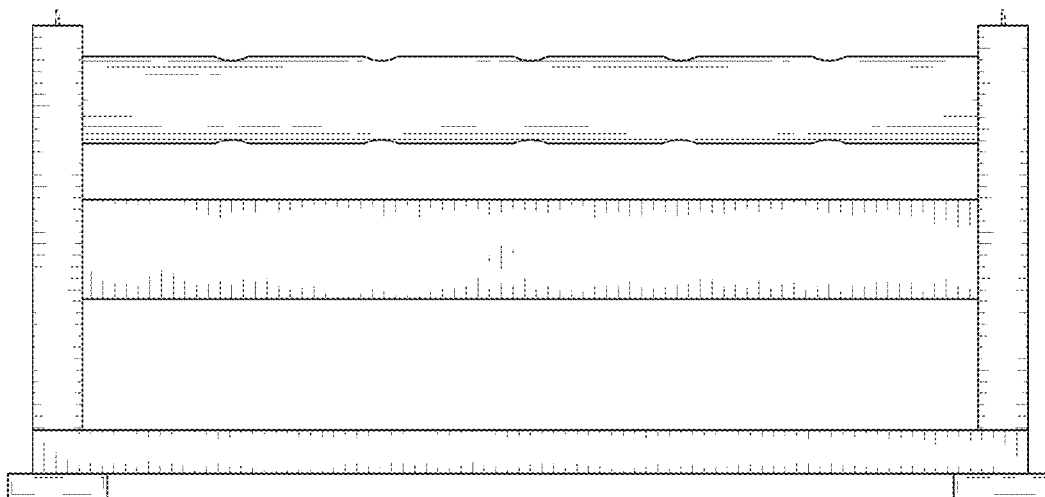


FIG. 3

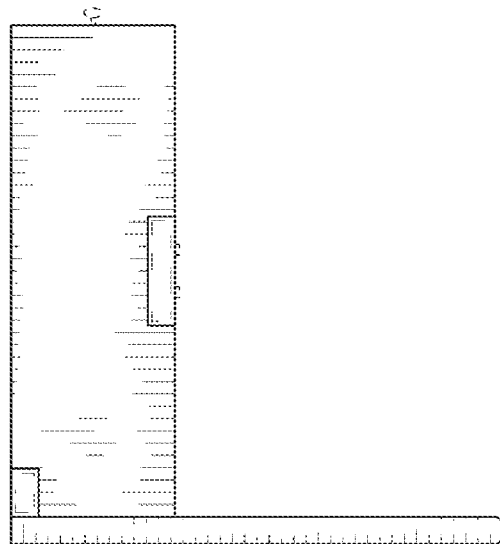


FIG. 4

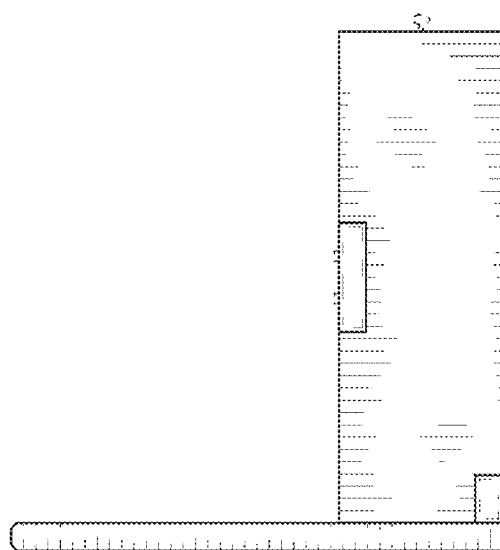


FIG. 5

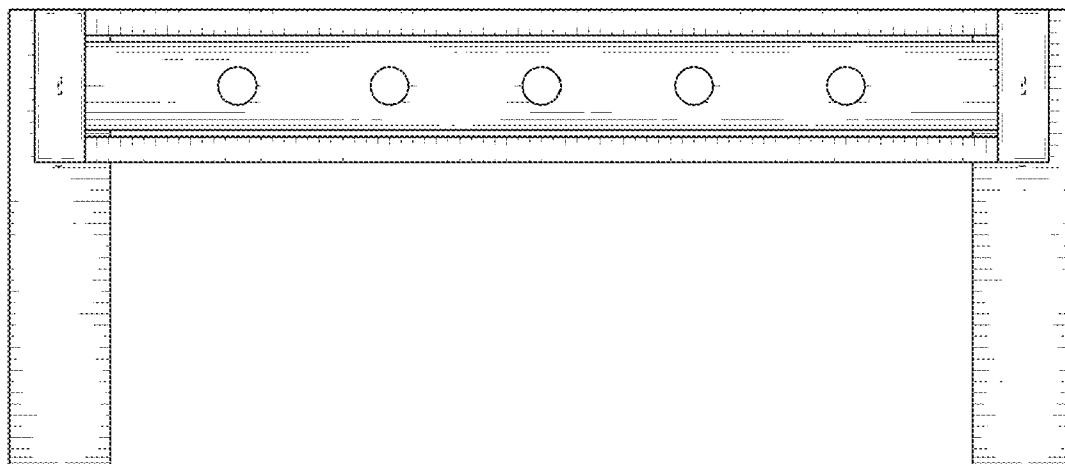


FIG. 6

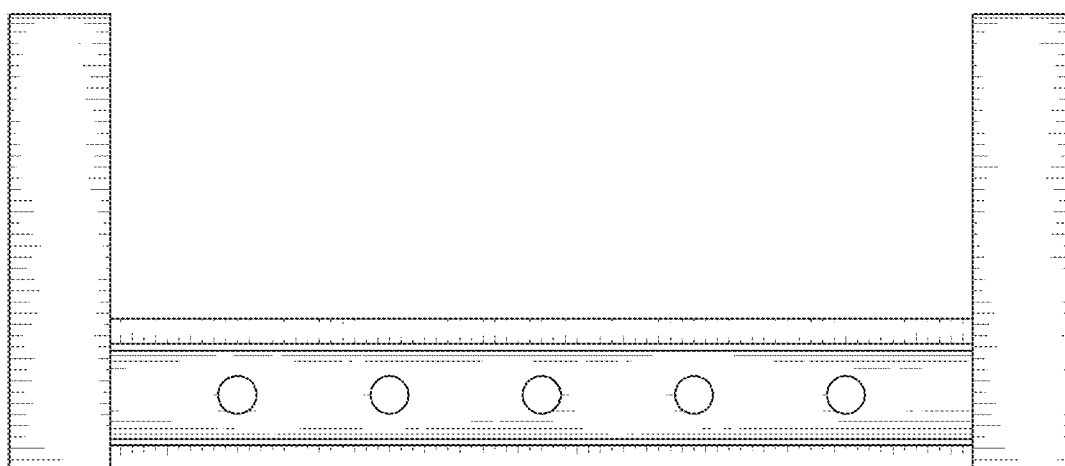


FIG. 7

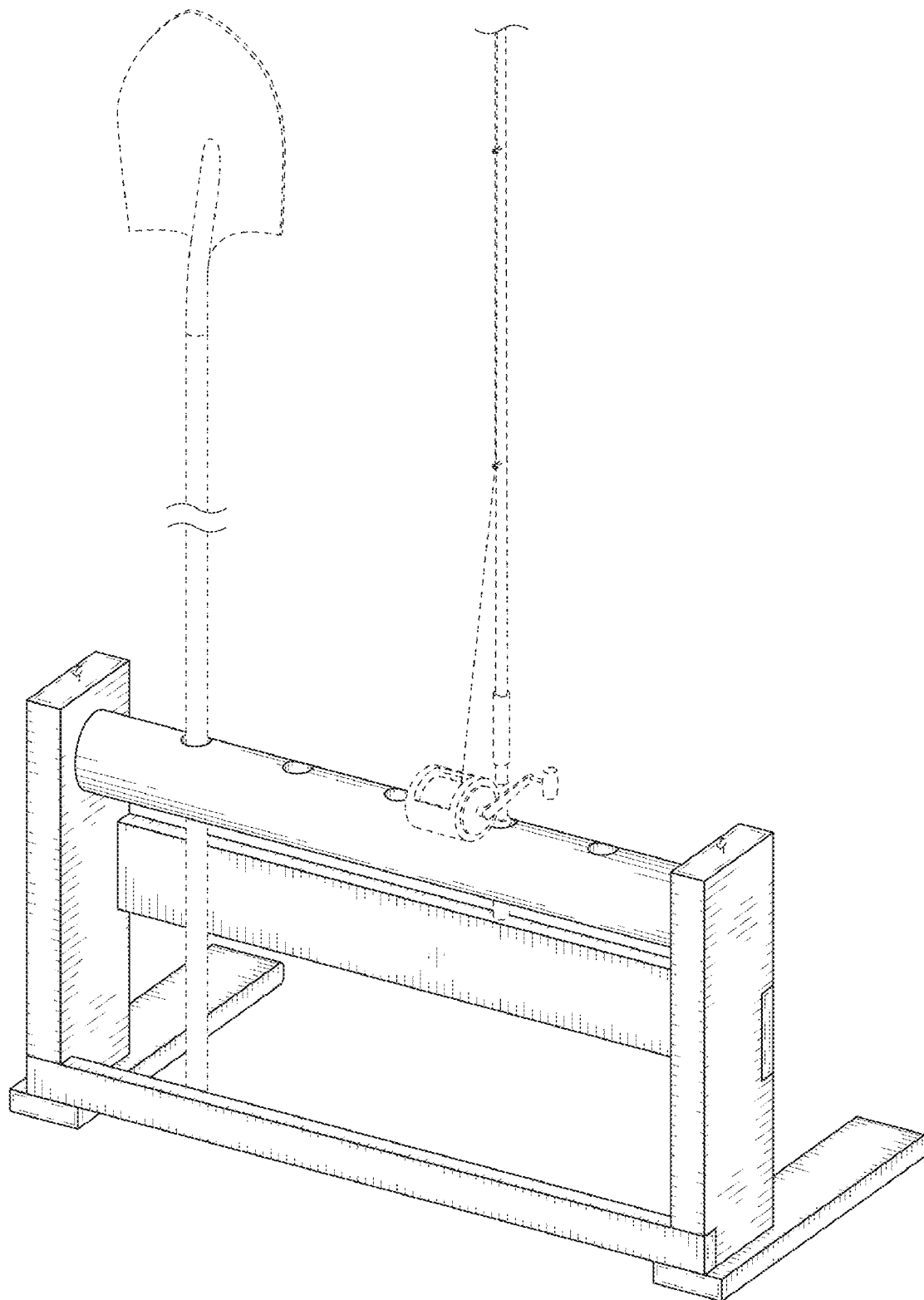


FIG. 8

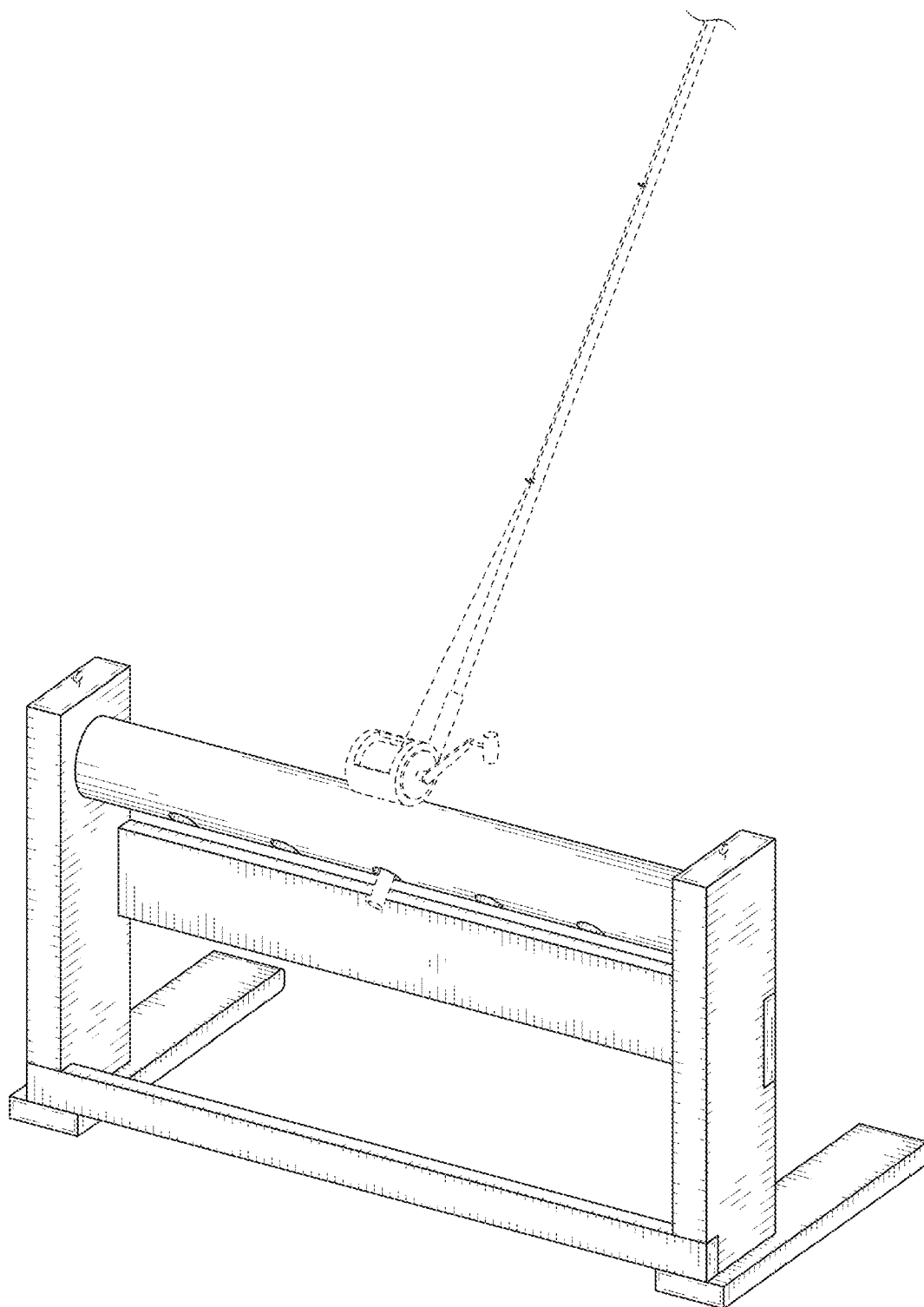


FIG. 9