



US00D650066S

(12) **United States Design Patent**
Boyd

(10) **Patent No.:** **US D650,066 S**
(45) **Date of Patent:** **** Dec. 6, 2011**

(54) **MOUTHPIECE**

(76) Inventor: **Bryan Emerson Boyd**, Oceanside, CA
(US)

(**) Term: **14 Years**

(21) Appl. No.: **29/354,661**

(22) Filed: **Jan. 27, 2010**

(51) **LOC (9) Cl.** **29-02**

(52) **U.S. Cl.** **D24/110.5**

(58) **Field of Classification Search** D24/110.5;
128/206.21, 180, 181, 152, 207.14, 204.18,
128/201.26, 206.29; D29/108

See application file for complete search history.

(56) **References Cited**

U.S. PATENT DOCUMENTS

1,146,264	A	7/1915	Kelly	
2,037,079	A	4/1936	Locke	
2,521,039	A	9/1950	Carpenter	
2,521,084	A *	9/1950	Oberto	128/206.29
3,132,647	A	5/1964	Corniello	
3,219,033	A	11/1965	Wauhchein	
3,259,129	A	7/1966	Tepper	
3,295,519	A	1/1967	Gerber	
3,312,216	A	4/1967	Wallshein	
4,169,473	A	10/1979	Samelson	
4,304,227	A	12/1981	Samelson	
4,608,974	A	9/1986	Sicurelli	
4,817,598	A *	4/1989	LaBombard	128/207.14
RE33,442	E	11/1990	George	
5,052,409	A	10/1991	Tepper	
5,092,346	A	3/1992	Hays et al.	
5,117,816	A *	6/1992	Shapiro et al.	128/200.24

5,381,783	A	1/1995	Hintz	
5,427,117	A	6/1995	Thornton	
D363,774	S *	10/1995	Robertson et al.	D24/110
D399,950	S *	10/1998	Shepard	D24/110.5
5,950,624	A *	9/1999	Hart	128/207.15
6,675,802	B1 *	1/2004	Thornton	128/206.29
6,679,257	B1	1/2004	Robertson et al.	
7,007,697	B1	3/2006	Grotta	
D528,655	S *	9/2006	Clawson	D24/110.5
D538,926	S *	3/2007	Jeong et al.	D24/110
D615,187	S *	5/2010	Bowden	D24/110
D636,074	S *	4/2011	Levine	D24/110.5
2003/0150450	A1 *	8/2003	Fitton	128/200.24

* cited by examiner

Primary Examiner — Ian Simmons
Assistant Examiner — Rashida Johnson
(74) *Attorney, Agent, or Firm* — John K. Buche; Buche & Associates, P.C.

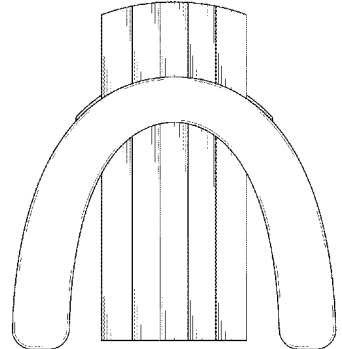
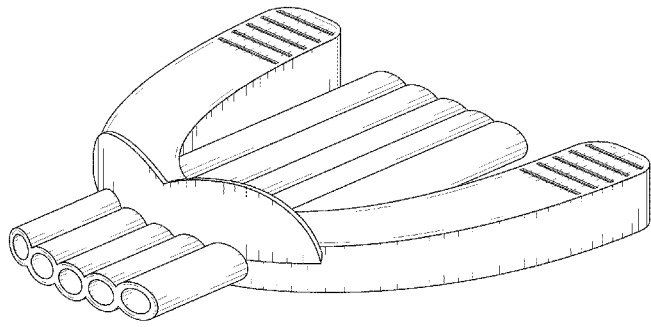
(57) **CLAIM**

The ornamental design for a mouthpiece, as shown and described.

DESCRIPTION

FIG. 1 is a perspective view of a mouthpiece.
FIG. 2 is a front elevational view of the mouthpiece of FIG. 1.
FIG. 3 is a back elevational view of the mouthpiece of FIG. 1.
FIG. 4 is a right side elevational view of the mouthpiece of FIG. 1.
FIG. 5 is a left side elevational view of the mouthpiece of FIG. 1.
FIG. 6 is a top plan view of the mouthpiece of FIG. 1; and,
FIG. 7 is a bottom plan view of the mouthpiece of FIG. 1.

1 Claim, 2 Drawing Sheets



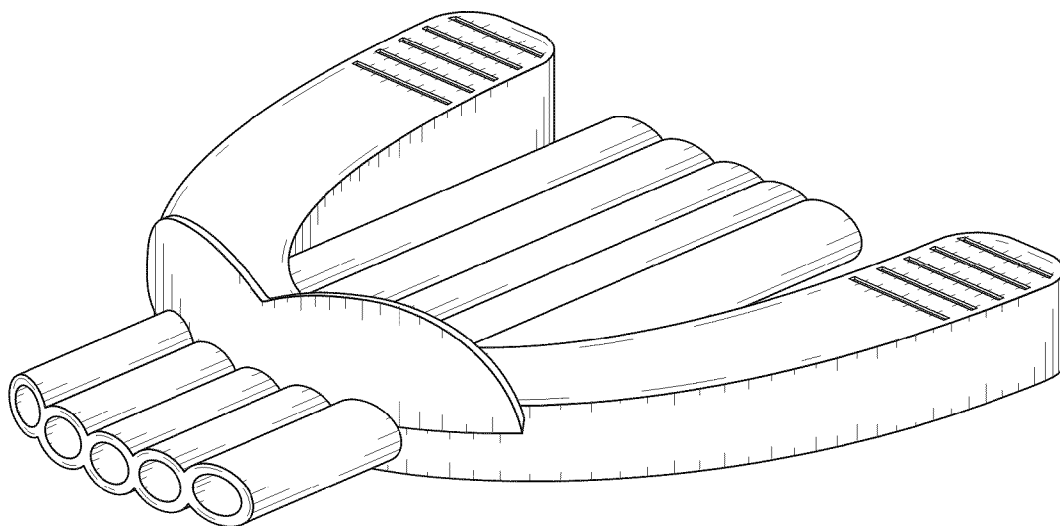


FIG. 1

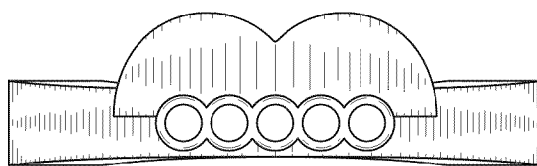


FIG. 2

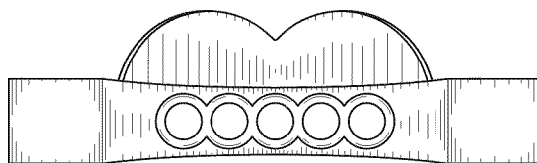


FIG. 3

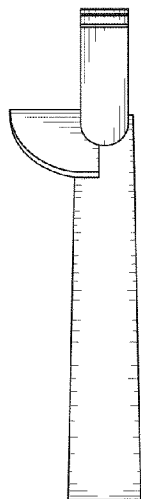


FIG. 4

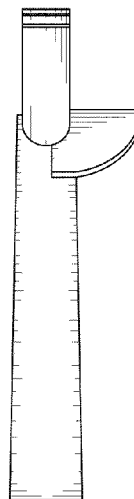


FIG. 5

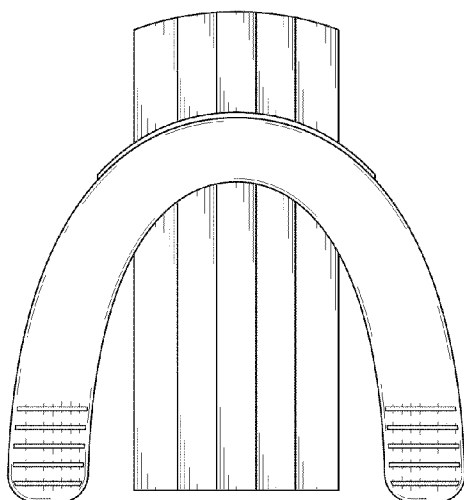


FIG. 6

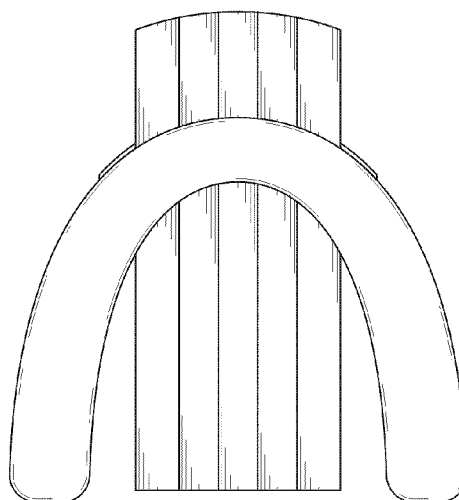


FIG. 7