



US00D552751S

(12) **United States Design Patent**
Van Buskirk

(10) **Patent No.:** **US D552,751 S**

(45) **Date of Patent:** **** Oct. 9, 2007**

(54) **MODULAR CORRAL COMPONENT**

(76) **Inventor:** **Glen Van Buskirk**, 29300 Palomares Rd., Castro Valley, CA (US) 94552

(**) **Term:** **14 Years**

(21) **Appl. No.:** **29/263,024**

(22) **Filed:** **Jul. 17, 2006**

(51) **LOC (8) Cl.** **25-02**

(52) **U.S. Cl.** **D25/38**

(58) **Field of Classification Search** D25/38,
D25/39, 50; 256/1, 19, 24, 25, 73, DIG. 2;
119/516, 524, 416, 512, 514

See application file for complete search history.

(56) **References Cited**

U.S. PATENT DOCUMENTS

256,661 A	4/1882	Tarragon	
354,408 A	12/1886	Gordon	
795,503 A	7/1905	Garethun	
2,678,629 A	5/1954	Meyer	
3,726,256 A	4/1973	Bernhardt	
3,741,529 A	6/1973	Blagg	
4,007,919 A	2/1977	Totten	
4,062,322 A *	12/1977	Dormehl	119/524
4,067,547 A	1/1978	Peters	
D247,751 S	4/1978	Appleby	
4,244,324 A *	1/1981	Kratky	119/524
5,609,327 A *	3/1997	Amidon	256/24
6,244,221 B1 *	6/2001	Kleinsasser	119/524
6,349,924 B1	2/2002	Studebaker	
D474,282 S *	5/2003	Miller et al.	D25/50

6,595,496 B1	7/2003	Langlie	
D485,619 S *	1/2004	Hoefler	D25/38
2002/0162994 A1	11/2002	Landie	
2003/0222253 A1	12/2003	Landie	

* cited by examiner

Primary Examiner—Doris Clark
(74) *Attorney, Agent, or Firm*—John Karl Buche

(57) **CLAIM**

I claim, the ornamental design for a modular corral component, as shown and described.

DESCRIPTION

FIG. 1 is an exploded front perspective view of the modular corral component.

FIG. 2 is a front view of the modular corral component of FIG. 1.

FIG. 3 is a rear view of the modular corral component of FIG. 1.

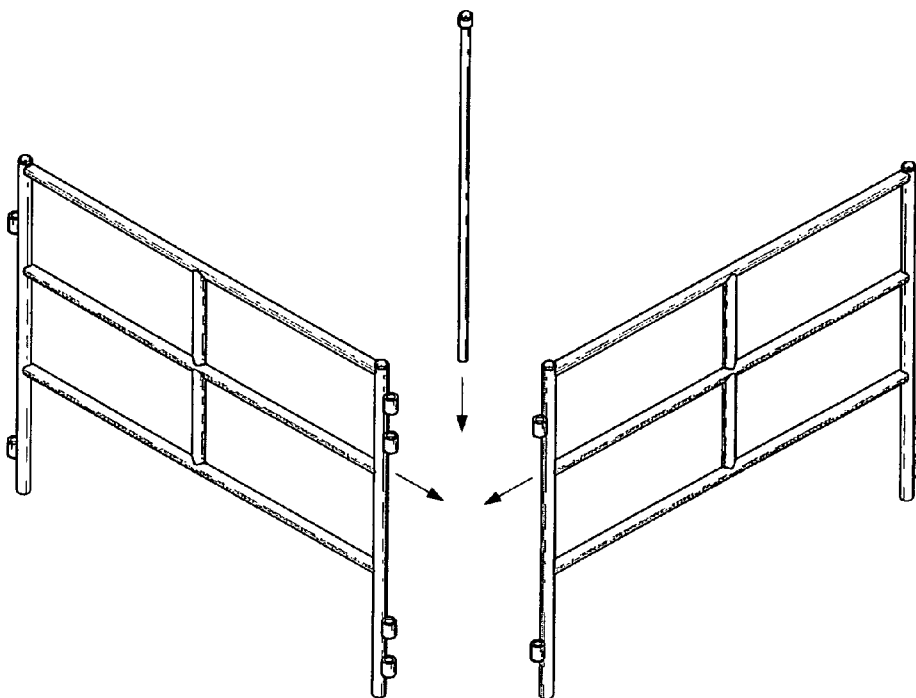
FIG. 4 is a top plan view of the modular corral component shown in FIG. 1.

FIG. 5 is a bottom plan view of the modular corral component shown in FIG. 1.

FIG. 6 is a lengthwise end view of the modular corral component of FIG. 1; and,

FIG. 7 is a lengthwise end view of the modular corral component of FIG. 1.

1 Claim, 2 Drawing Sheets



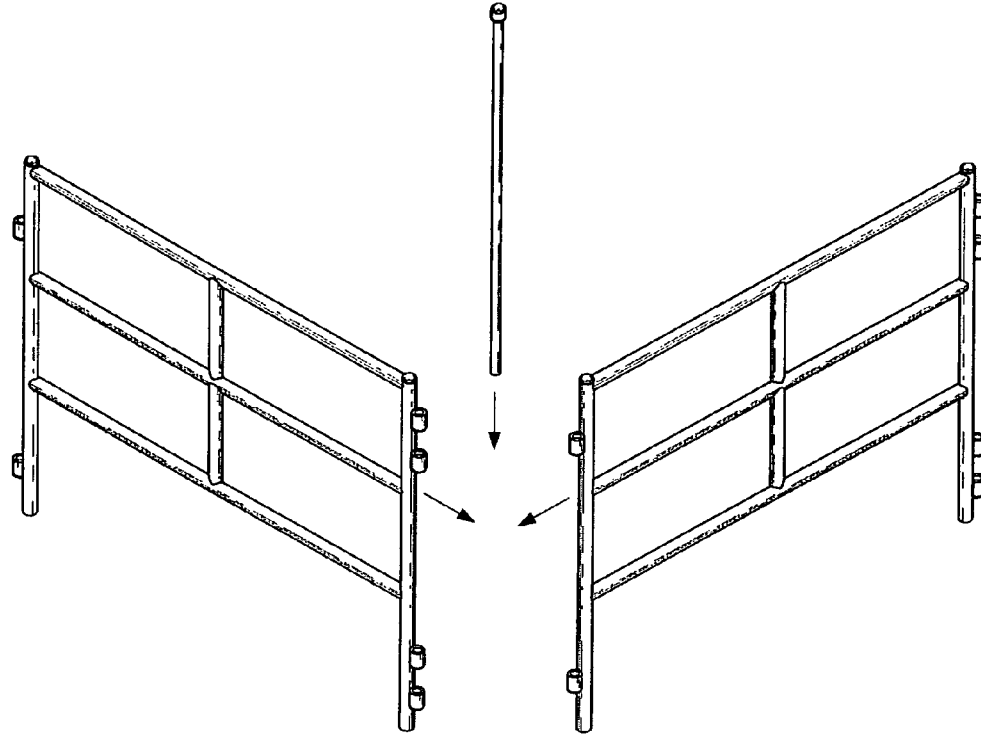


FIG. 1

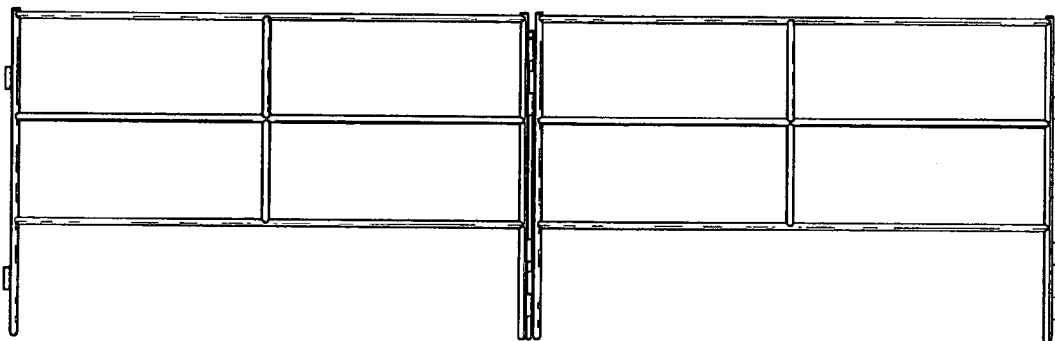


FIG. 2

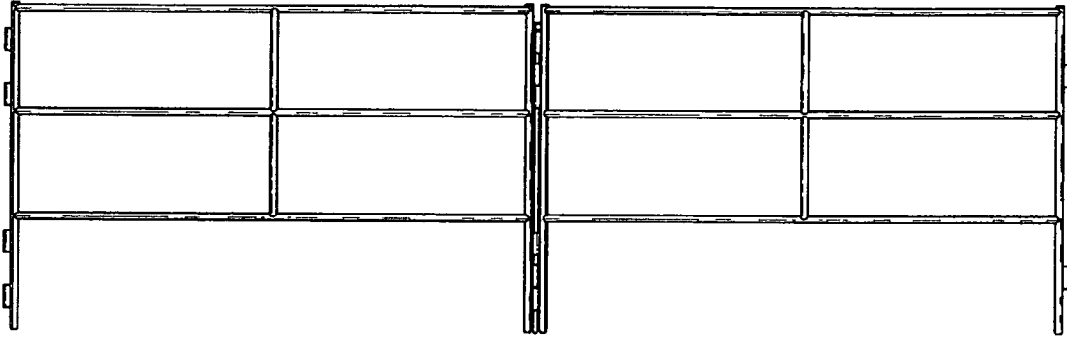


FIG. 3

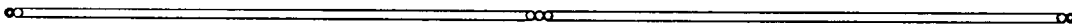


FIG. 4



FIG. 5



FIG. 6



FIG. 7