



US00D617824S

(12) **United States Design Patent**
Olien

(10) **Patent No.:** **US D617,824 S**

(45) **Date of Patent:** **** Jun. 15, 2010**

(54) **POST MOUNTING DEVICE**

(76) Inventor: **Michael A. Olien**, 17431 Sweet Song Dr., Tomball, TX (US) 77377

(**) Term: **14 Years**

(21) Appl. No.: **29/336,313**

(22) Filed: **Apr. 30, 2009**

(51) **LOC (9) Cl.** **16-05**

(52) **U.S. Cl.** **D16/242; D6/495; D6/496**

(58) **Field of Classification Search** D6/491, D6/495, 496; D16/242, 244, 245; 248/176.1, 248/177.1, 178.1, 187.1; 352/343; 396/329, 396/419, 427, 428

See application file for complete search history.

(56) **References Cited**

U.S. PATENT DOCUMENTS

| | | | | |
|--------------|------|---------|--------------|-----------|
| 1,463,446 | A * | 7/1923 | Snowden | 396/428 |
| 2,336,104 | A * | 12/1943 | Laube et al. | 248/178.1 |
| D226,135 | S * | 1/1973 | Horn | D16/242 |
| 4,687,170 | A | 8/1987 | Beaver | |
| 5,289,091 | A * | 2/1994 | Wada | 396/427 |
| D419,005 | S * | 1/2000 | McDiarmid | D6/495 |
| D447,365 | S * | 9/2001 | Chi | D6/495 |
| D564,010 | S * | 3/2008 | Dordick | D16/242 |
| 7,440,027 | B2 | 10/2008 | Weaver | |
| 2003/0128975 | A1 * | 7/2003 | Shevick | 396/428 |
| 2005/0265711 | A1 | 12/2005 | Heibel | |
| 2008/0107413 | A1 | 5/2008 | Moore | |

* cited by examiner

Primary Examiner—Adir Aronovich

(74) *Attorney, Agent, or Firm*—John K. Buche; Scott Compton; Buche & Associates, P.C.

(57) **CLAIM**

The ornamental design for a post mounting device, as shown and described.

DESCRIPTION

FIG. 1 is a front perspective view of a post mounting device showing my new design, wherein the features shown in broken lines depict environmental subject matter only and form no part of the claimed design;

FIG. 2 is a front elevational view of the same, wherein the features shown in broken lines depict environmental subject matter only and form no part of the claimed design;

FIG. 3 is a back elevational view of the same, wherein the features shown in broken lines depict environmental subject matter only and form no part of the claimed design;

FIG. 4 is a right side elevational view of the same, wherein the features shown in broken lines depict environmental subject matter only and form no part of the claimed design;

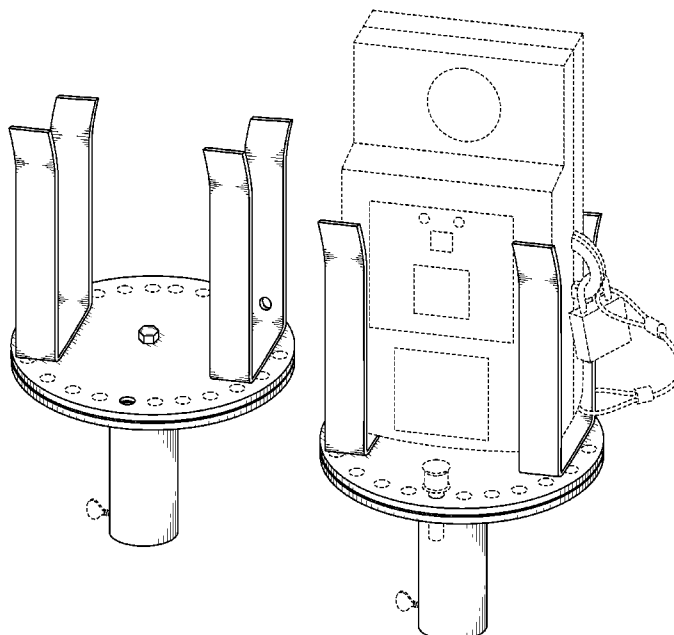
FIG. 5 is a left side elevational view of the same;

FIG. 6 is a top plan view of the same, wherein the features shown in broken lines depict environmental subject matter only and form no part of the claimed design;

FIG. 7 is a bottom plan view of the same, wherein the features shown in broken lines depict environmental subject matter only and form no part of the claimed design; and,

FIG. 8 is a front perspective view of the post mounting device wherein the features shown in broken lines depict environmental subject matter only and form no part of the claimed design.

1 Claim, 5 Drawing Sheets



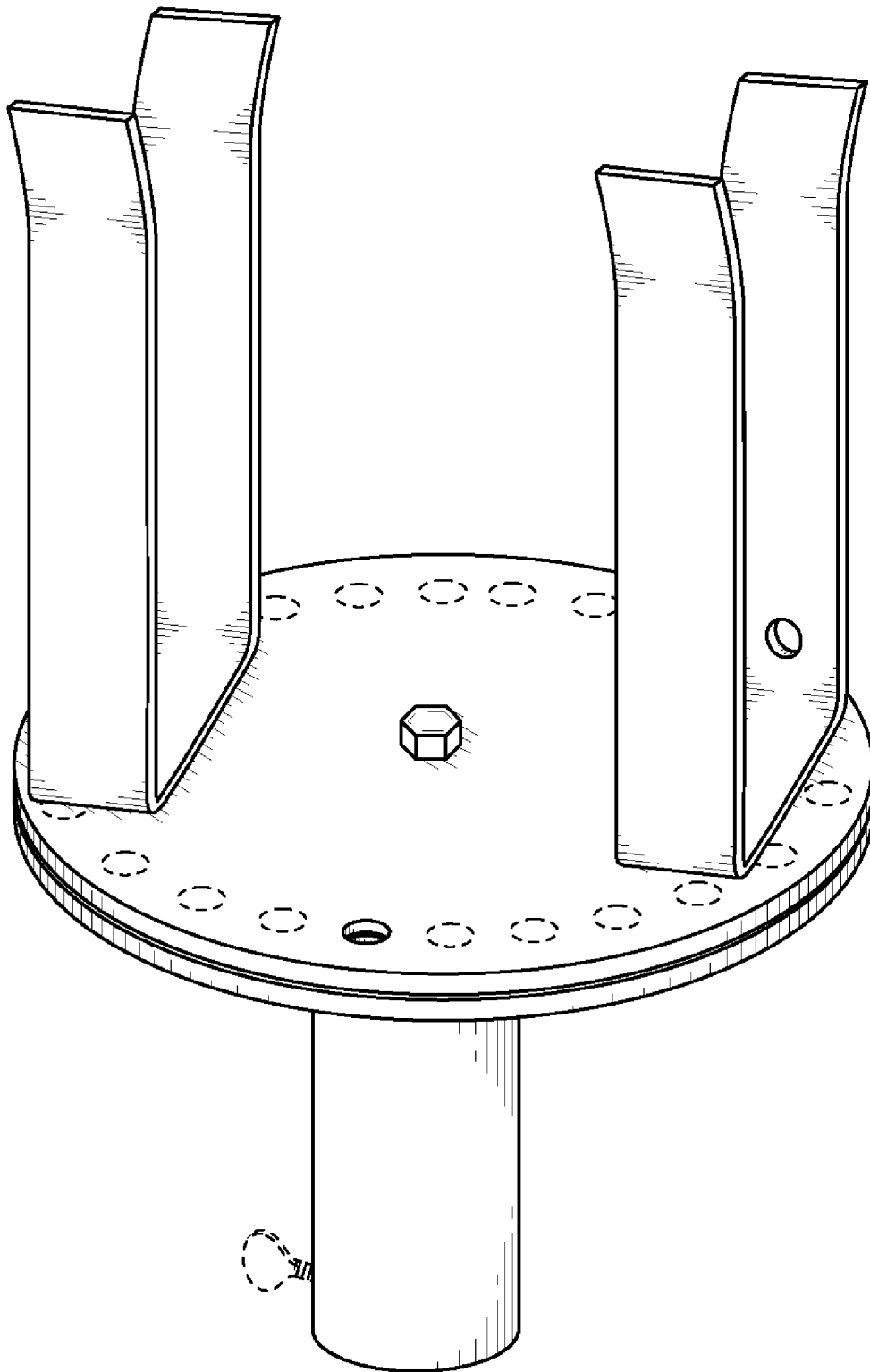


FIG. 1

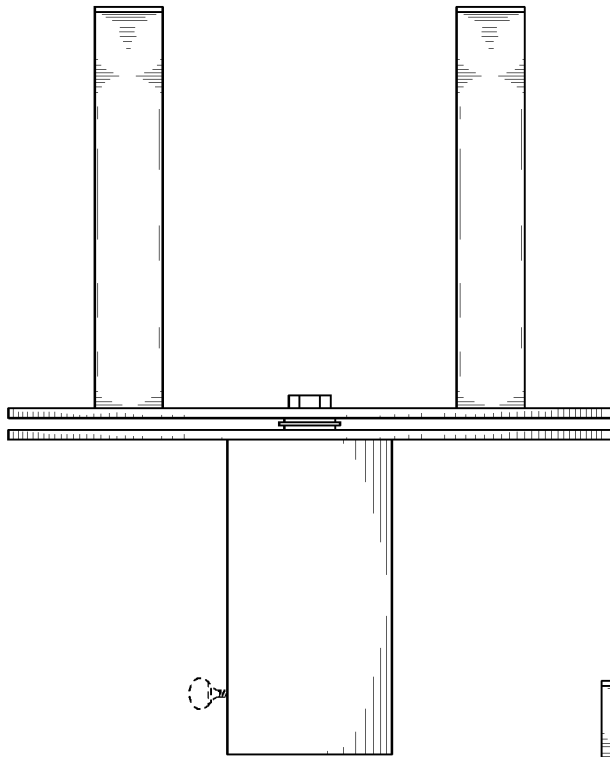


FIG. 2

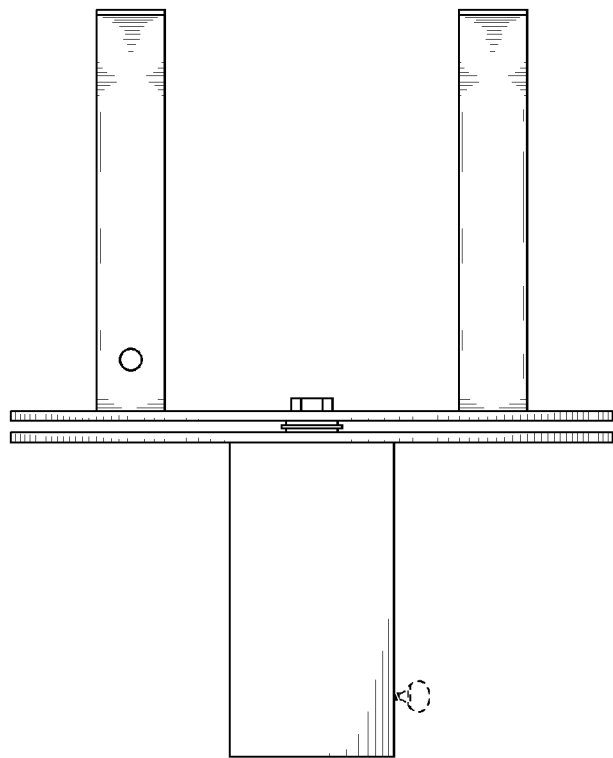


FIG. 3

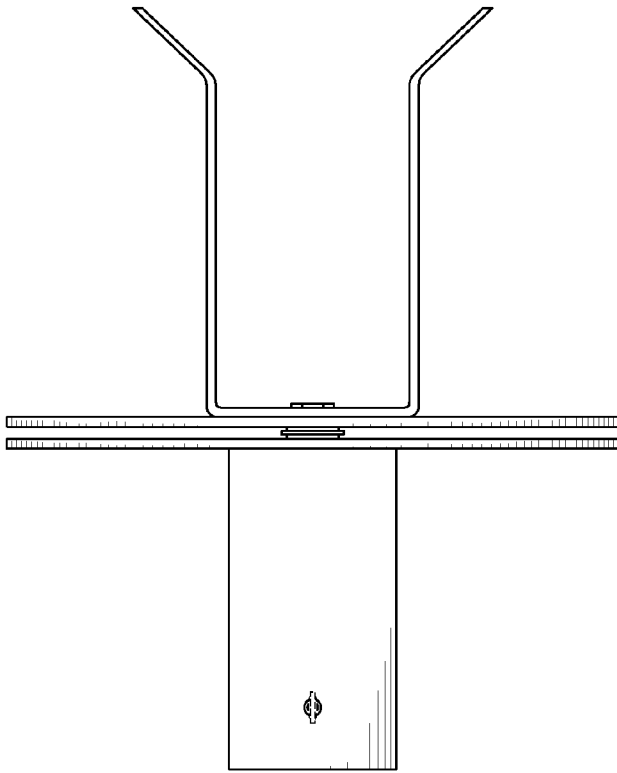


FIG. 4

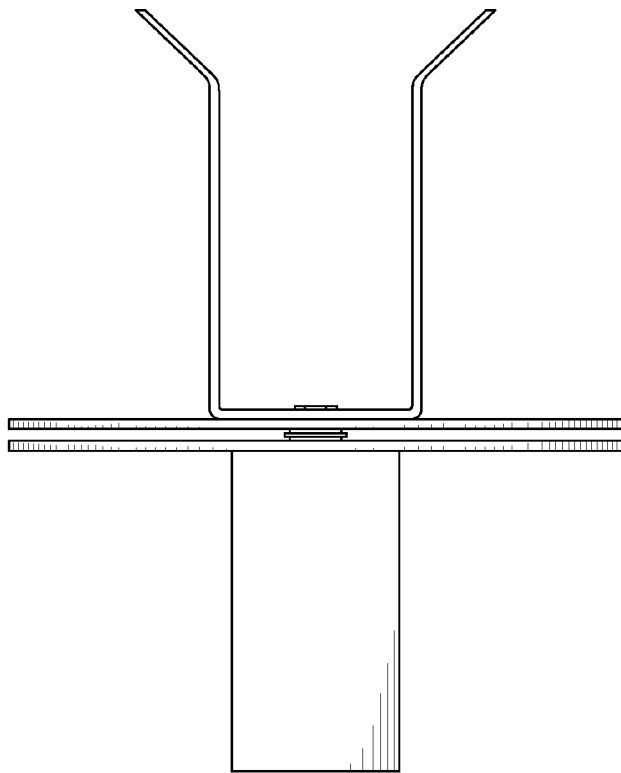


FIG. 5

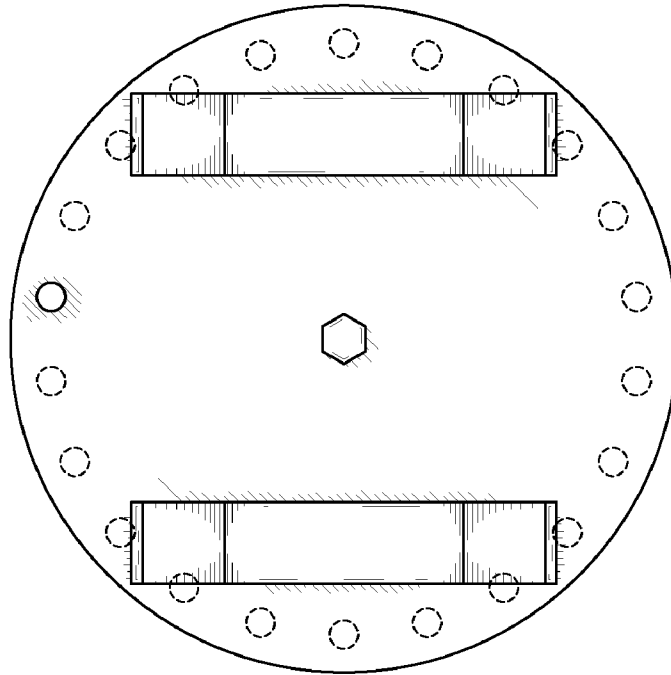


FIG. 6

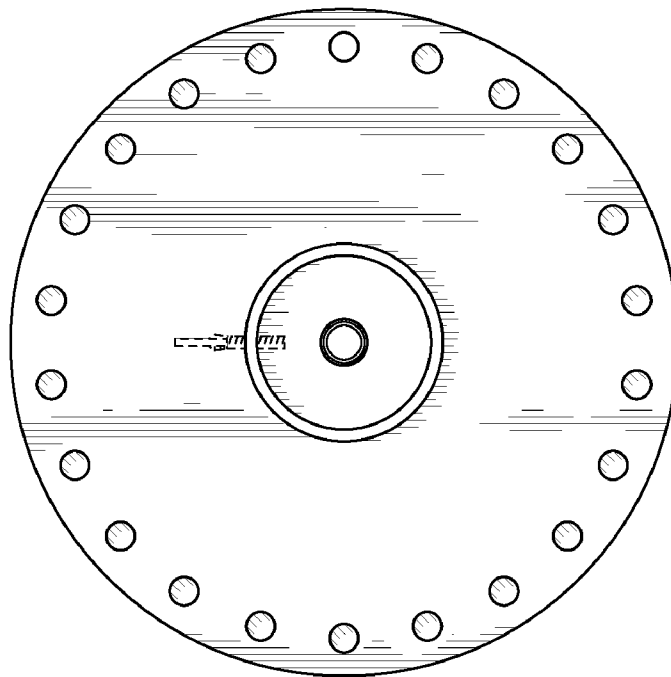


FIG. 7

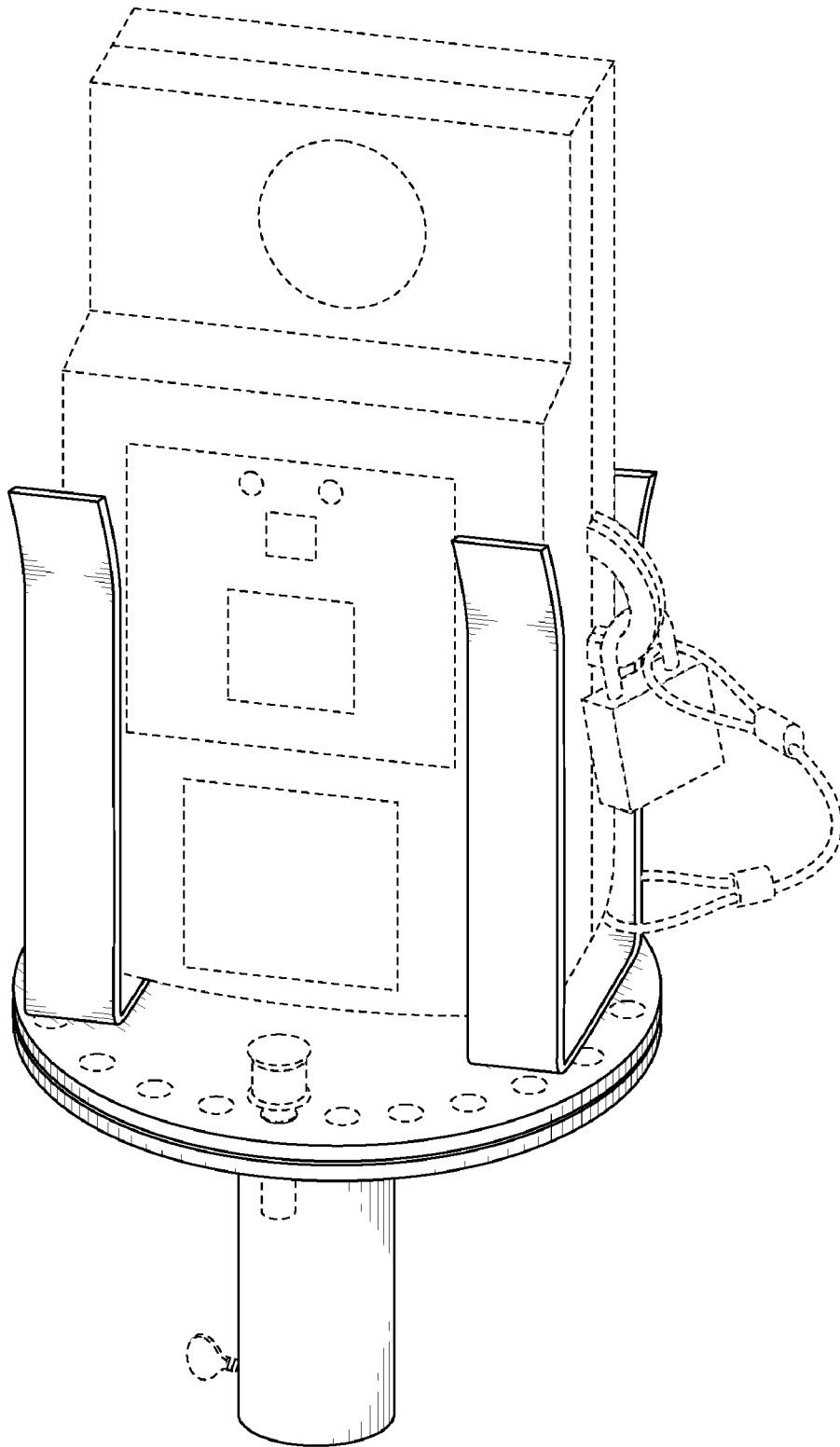


FIG. 8