



US00D640908S

(12) **United States Design Patent**  
**Underhile**

(10) **Patent No.:** **US D640,908 S**  
(45) **Date of Patent:** **\*\* Jul. 5, 2011**

(54) **BLADE**  
(76) Inventor: **Frank D Underhile**, Houston, TX (US)  
(\*\*) Term: **14 Years**  
(21) Appl. No.: **29/366,029**  
(22) Filed: **Jul. 19, 2010**  
(51) **LOC (9) Cl.** ..... **08-03**  
(52) **U.S. Cl.** ..... **D8/20**  
(58) **Field of Classification Search** ..... D8/16,  
D8/18-20, 64, 95-104; D22/117, 118; D24/146;  
7/118, 148; 30/142, 144, 165, 166.3, 272.1,  
30/314, 320, 346, 346.5, 346.55, 346.56,  
30/349, 351, 355-357  
See application file for complete search history.

D242,980 S 1/1977 Fuller  
D261,723 S \* 11/1981 Haller ..... D8/16  
D262,431 S \* 12/1981 Haller ..... D8/16  
4,348,807 A 9/1982 Ashdown  
4,483,068 A 11/1984 Clifford  
4,574,431 A 3/1986 Colling  
4,630,367 A 12/1986 Pressman  
D300,715 S 4/1989 Ragoonath  
4,916,816 A 4/1990 Richman  
4,920,645 A 5/1990 Baudouin  
5,103,564 A 4/1992 MacDonald  
5,107,593 A 4/1992 Hutchins  
D355,345 S 2/1995 Drust  
D358,643 S \* 5/1995 Knepshield et al. .... D24/146  
5,579,581 A 12/1996 Melton  
5,581,834 A 12/1996 Collins  
5,720,105 A 2/1998 Gates  
D400,067 S \* 10/1998 Gold ..... D8/20  
D400,412 S 11/1998 Gold

(Continued)

(56) **References Cited**

**U.S. PATENT DOCUMENTS**

432,770 A 7/1890 Schlieff  
D54,277 S \* 12/1919 Michaels ..... D7/695  
1,345,637 A 7/1920 Sarkozy  
1,423,843 A 7/1922 Eshelman  
1,608,813 A 11/1926 Richter  
1,636,287 A 7/1927 Clawson  
1,667,596 A 4/1928 Kapota  
2,046,334 A 7/1936 Loeber  
2,054,480 A 9/1936 Leitsuh  
2,083,368 A 6/1937 Gambino  
2,173,751 A 9/1939 Burkhart  
2,182,710 A 12/1939 Tamke  
2,232,940 A 2/1940 Fender  
2,322,744 A 6/1943 Benjamin  
2,362,896 A 11/1944 Gamache  
2,961,766 A 11/1960 Maynard  
3,009,245 A 11/1961 Senkewitz  
3,169,316 A 2/1965 Johnston  
3,299,510 A 1/1967 Taormina  
3,465,437 A 9/1969 Brown  
3,889,368 A 6/1975 Himeno  
3,956,825 A 5/1976 Ness

*Primary Examiner* — Garth Rademaker

(74) *Attorney, Agent, or Firm* — Buche & Associates, P.C.;  
John K. Buche

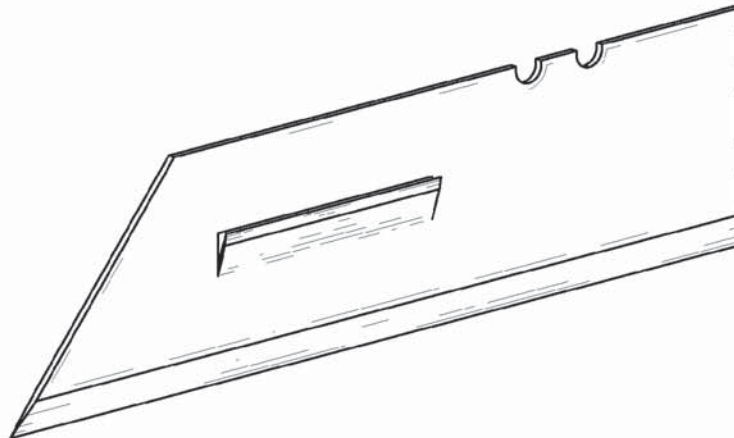
(57) **CLAIM**

The ornamental design for a blade, as shown and described.

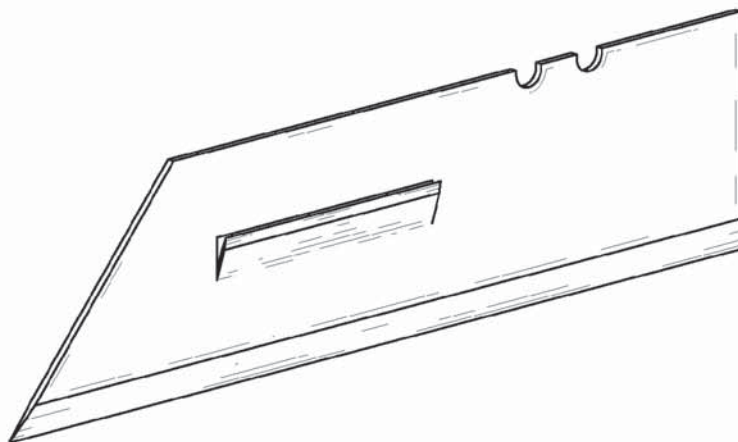
**DESCRIPTION**

FIG. 1 is a perspective view of a blade showing my new design;  
FIG. 2 is a left side view of the same;  
FIG. 3 is a right side view of the same;  
FIG. 4 is a top view of the same;  
FIG. 5 is a bottom view of the same;  
FIG. 6 is a back view of the same;  
FIG. 7 is a front view of the same; and,  
FIG. 8 is a perspective view of the same, showing the design in an environment of use, wherein the environment is shown in broken line and forms no part of the claimed design.

**1 Claim, 2 Drawing Sheets**







**FIG. 1**



**FIG. 2**



**FIG. 3**



**FIG. 4**



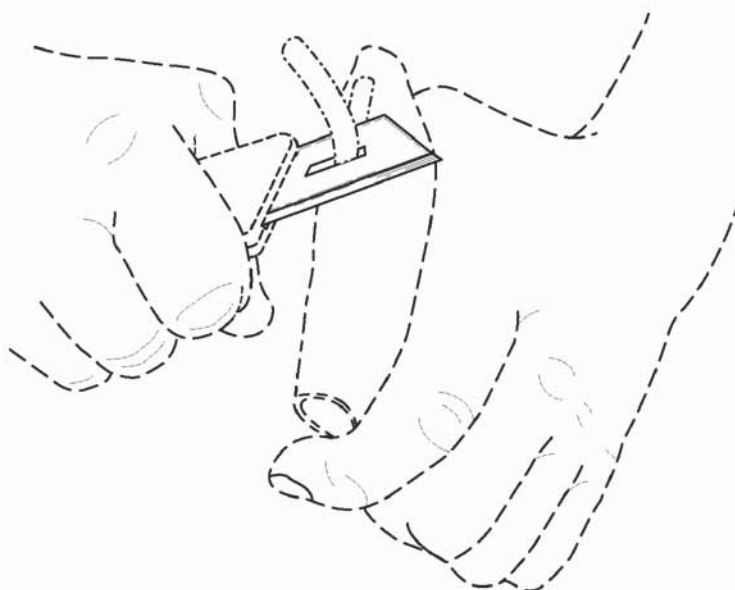
**FIG. 5**



**FIG. 6**



**FIG. 7**



**FIG. 8**