

(12) **United States Design Patent**  
**Olien**

(10) **Patent No.:** **US D602,343 S**  
(45) **Date of Patent:** **\*\* Oct. 20, 2009**

(54) **TEE POST MOUNTING DEVICE**

2008/0107413 A1 5/2008 Moore

\* cited by examiner

(76) Inventor: **Michael A. Olien**, 17431 Sweet Song Dr., Tomball, TX (US) 77377

*Primary Examiner*—Robert M Spear  
*Assistant Examiner*—Barbara B Lohr  
(74) *Attorney, Agent, or Firm*—John Karl Buche; Buche & Associates, P.C.

(\*\*) Term: **14 Years**

(21) Appl. No.: **29/336,309**

(22) Filed: **Apr. 30, 2009**

(57) **CLAIM**

The ornamental design for a tee post mounting device, as shown and described.

(51) **LOC (9) Cl.** ..... **08-05**

(52) **U.S. Cl.** ..... **D8/363**

(58) **Field of Classification Search** ..... D8/363,  
D8/367, 371, 373, 382; 205/253; 24/265,  
24/265 H, 298, 373, 598.4, 598.7, 599.1,  
24/599.2, 599.5, 599.6, 599.7, 599.8, 599.4,  
24/600.1, 601.2, 600.3, 600.9; 52/698; 248/328;  
472/118; 482/91; 294/82.1, 82.11, 1; 114/249;  
428/100

See application file for complete search history.

**DESCRIPTION**

FIG. 1 is a front perspective view of a tee post mounting device showing my new design, wherein the features shown in broken lines depict environmental subject matter only and form no part of the claimed design;

FIG. 2 is a bottom view of the same, wherein the features shown in broken lines depict environmental subject matter only and form no part of the claimed design;

FIG. 3 is a top view of the same;

FIG. 4 is a right side elevational view of the same, wherein the features shown in broken lines depict environmental subject matter only and form no part of the claimed design;

FIG. 5 is a left side elevational view of the same;

FIG. 6 is a front elevational view of the same, wherein the features shown in broken lines depict environmental subject matter only and form no part of the claimed design;

FIG. 7 is a back elevational view of the same, wherein the features shown in broken lines depict environmental subject matter only and form no part of the claimed design; and,

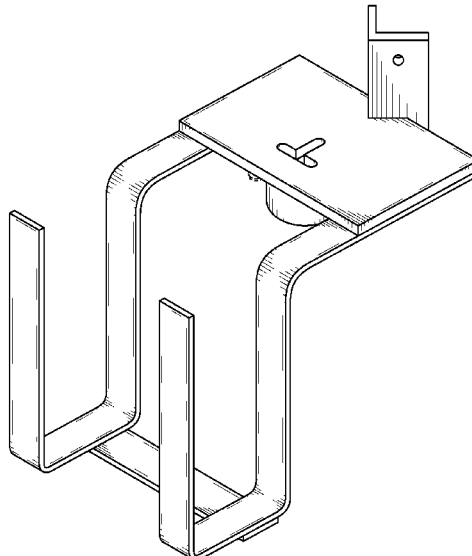
FIG. 8 is a front perspective view of the tee post mounting device wherein the features shown in broken lines depict environmental subject matter only and form no part of the claimed design.

(56) **References Cited**

U.S. PATENT DOCUMENTS

4,687,170 A	8/1987	Beaver	
D308,471 S *	6/1990	Murai	D8/367
D355,585 S *	2/1995	Terada et al.	D8/367
5,398,389 A *	3/1995	Terada et al.	24/599.8
5,450,661 A *	9/1995	Rekuc	24/599.6
5,533,934 A *	7/1996	Miller	472/118
5,588,188 A *	12/1996	Jermyn, Jr.	24/598.7
D402,189 S *	12/1998	Izumi	D8/382
D472,452 S *	4/2003	Chou	D8/367
D491,049 S *	6/2004	Kung	D8/367
D500,244 S *	12/2004	Yoshiguchi	D8/367
7,440,027 B2	10/2008	Weaver	
D579,763 S *	11/2008	Uehara et al.	D8/367
2005/0265711 A1	12/2005	Heibel	

**1 Claim, 8 Drawing Sheets**



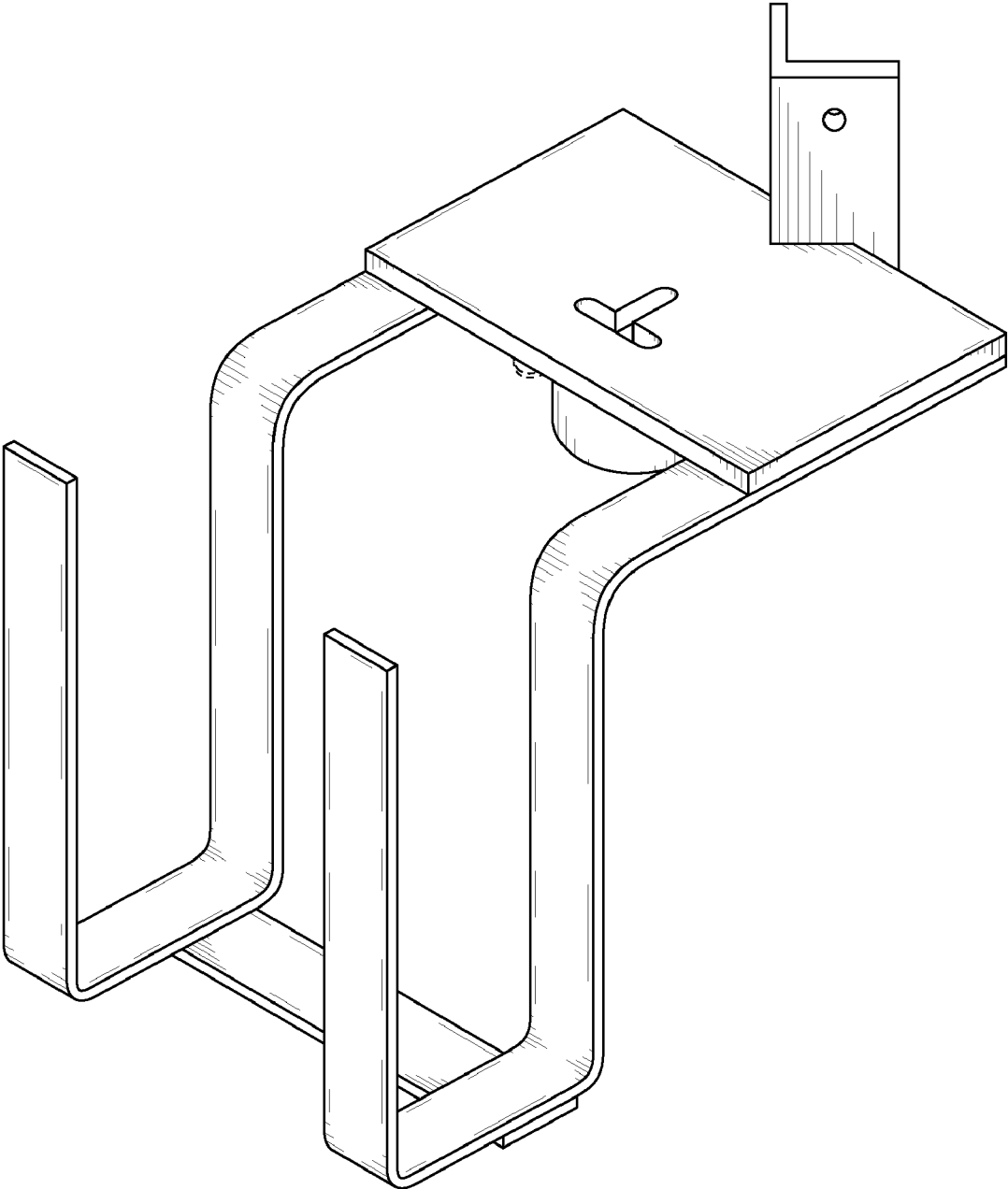


FIG. 1

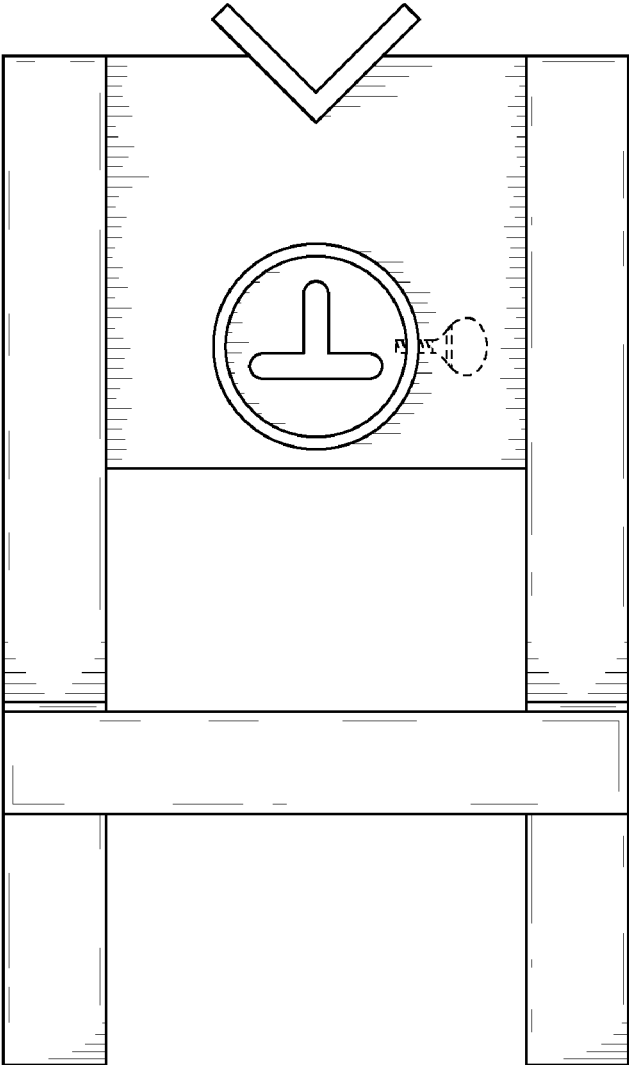
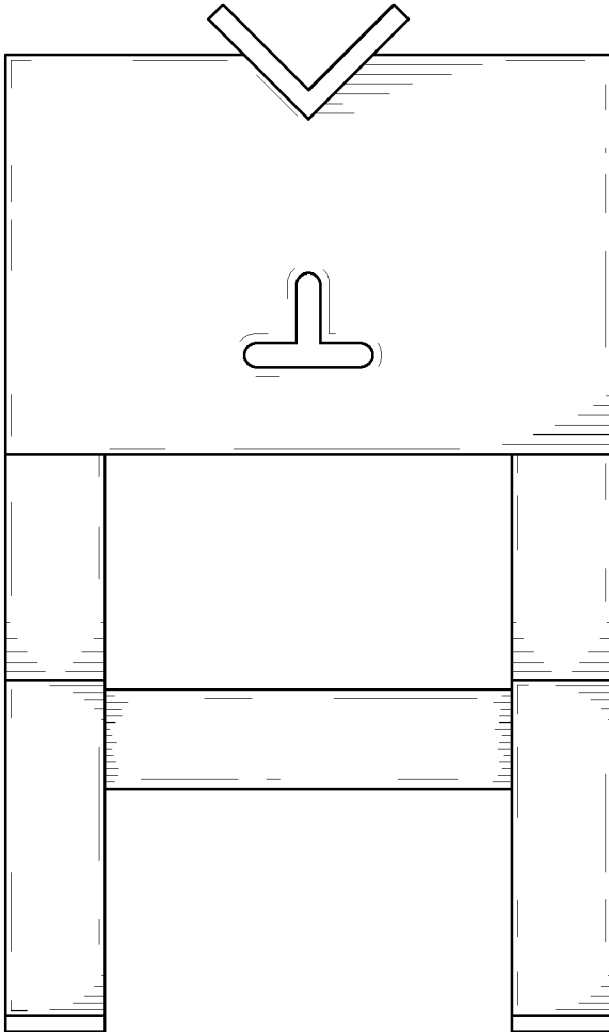


FIG. 2



**FIG. 3**

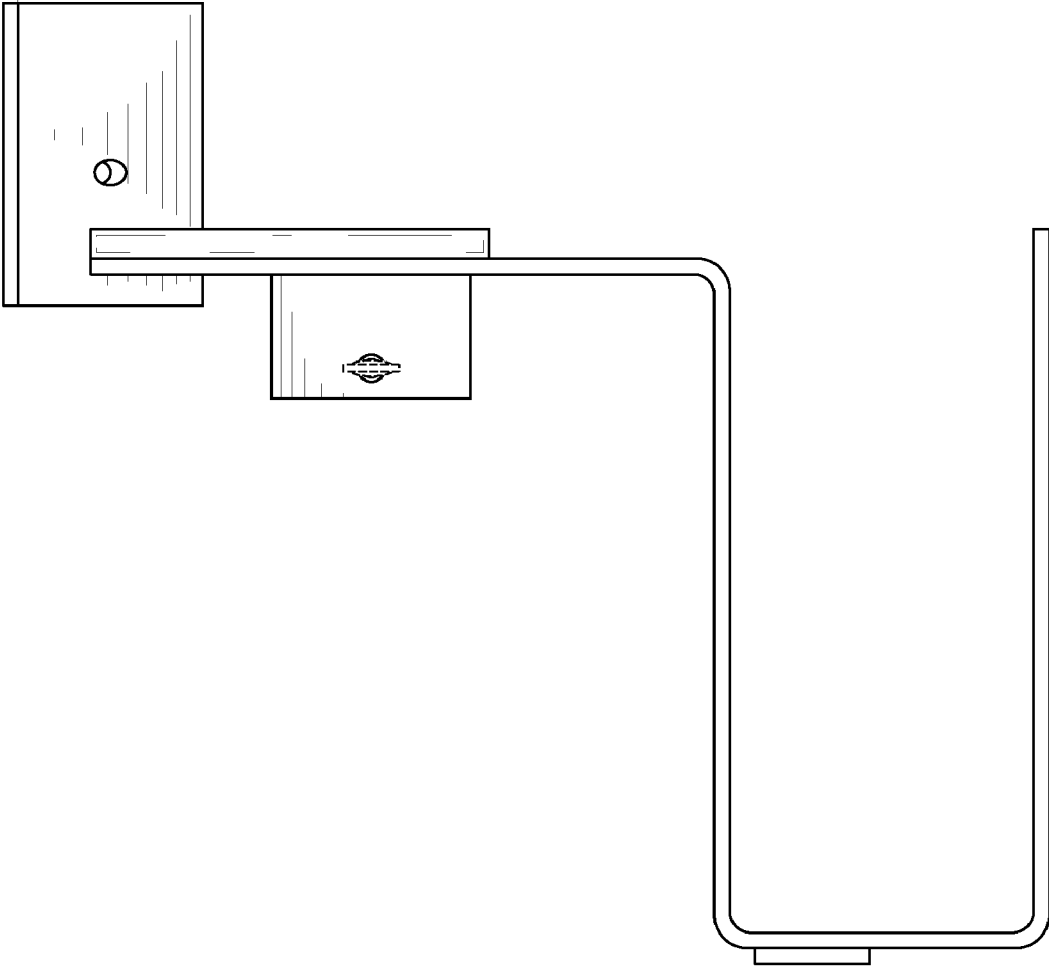
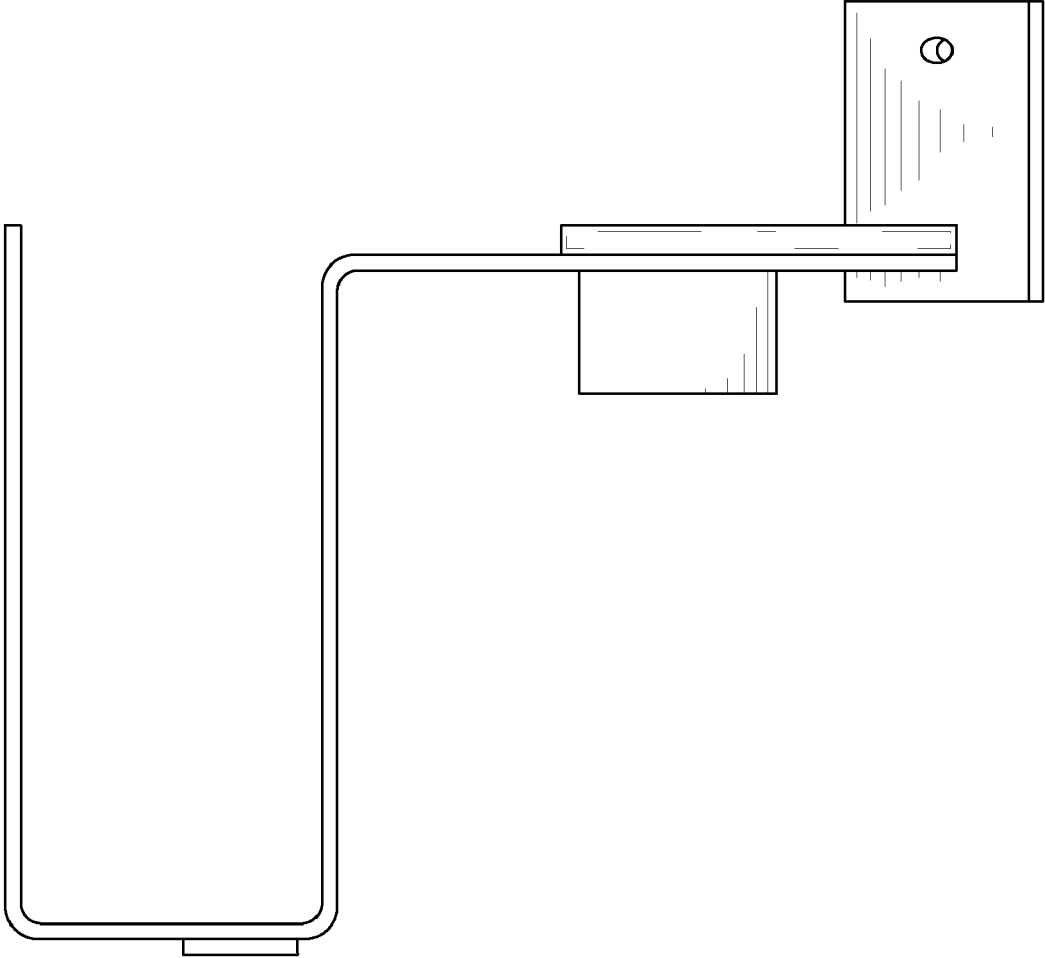
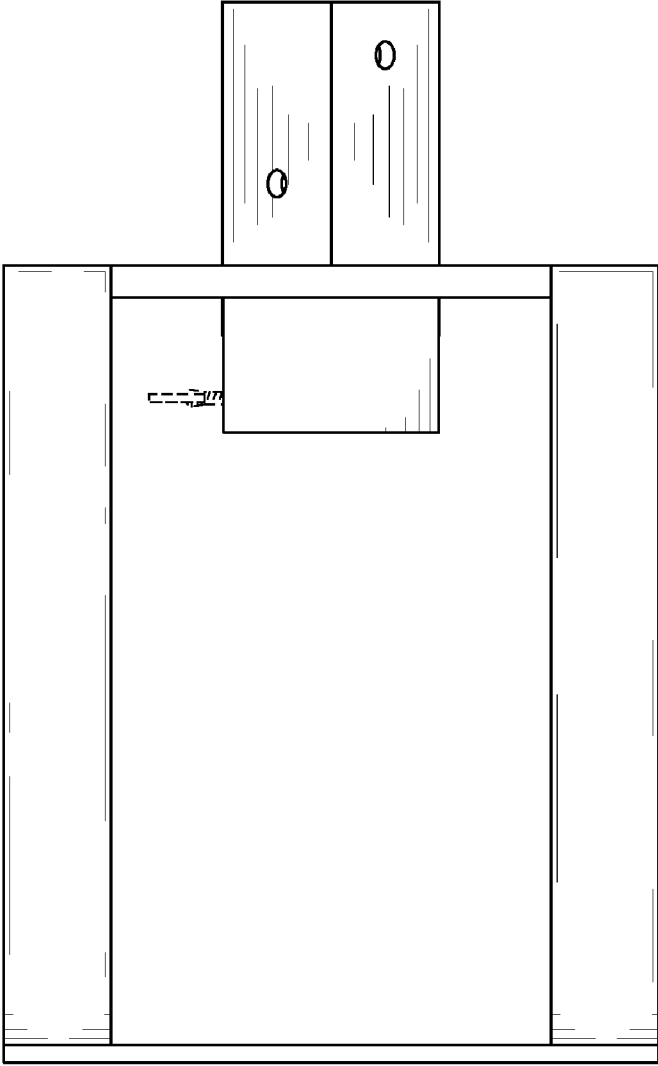


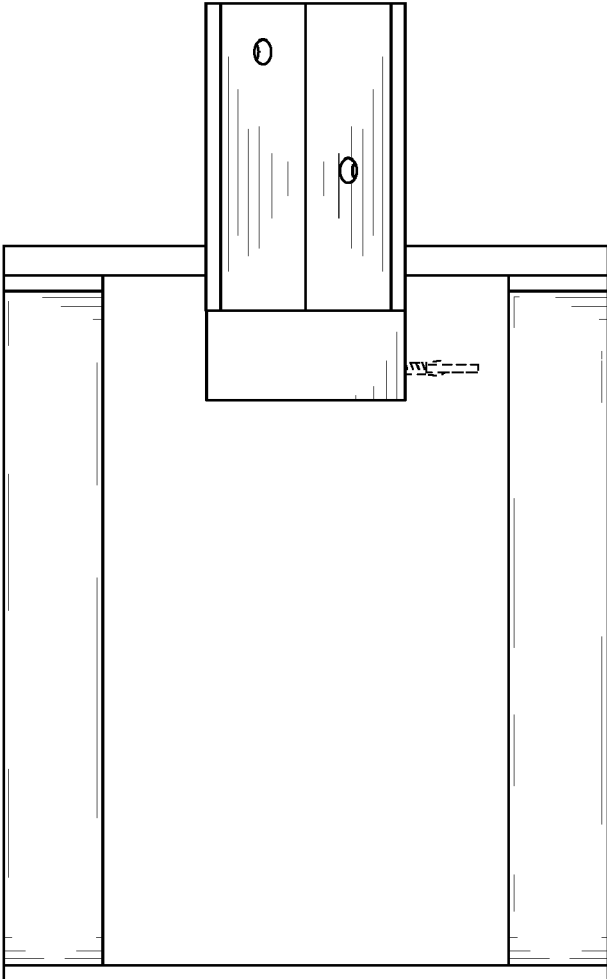
FIG. 4



**FIG. 5**



**FIG. 6**



**FIG. 7**

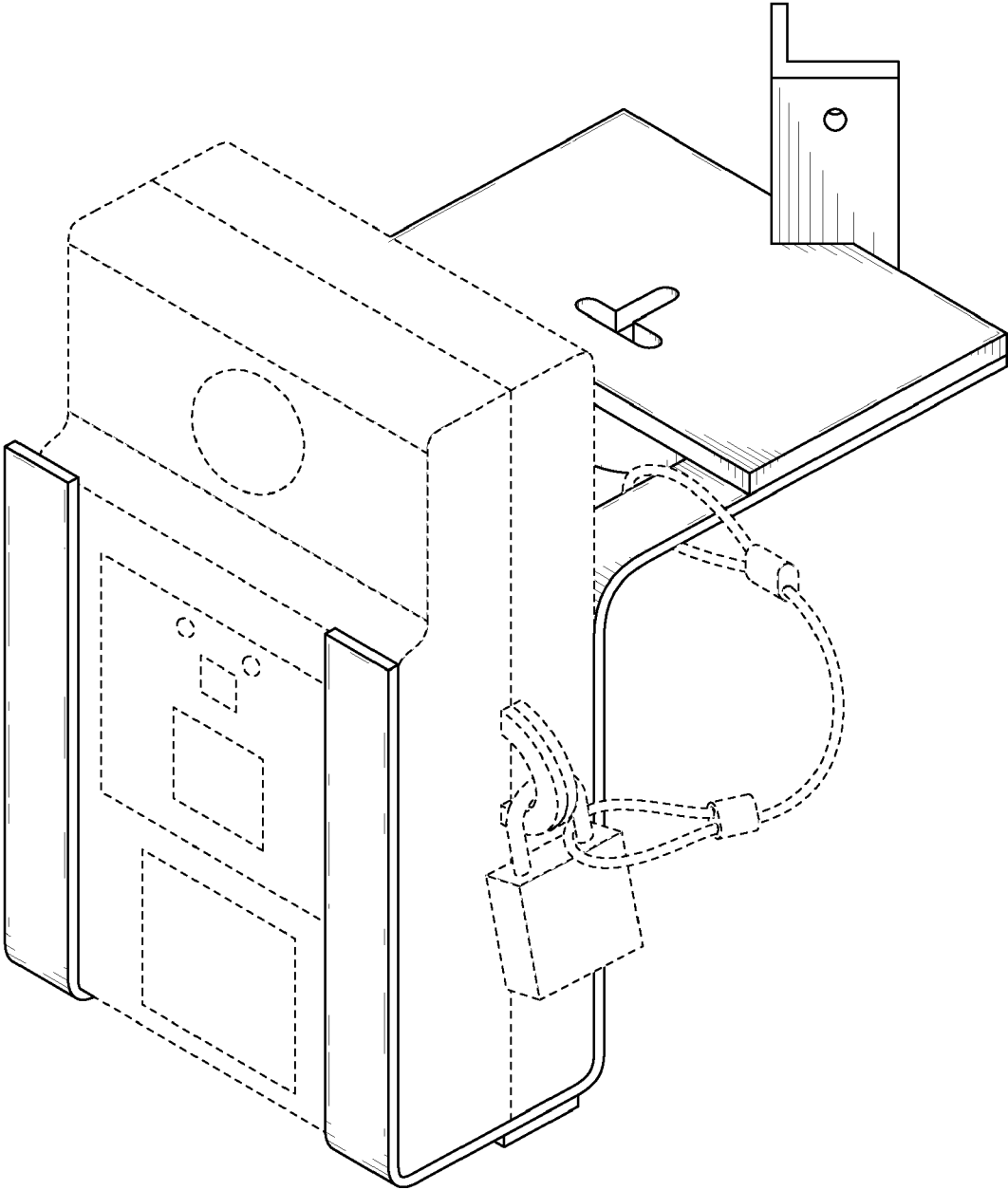


FIG. 8